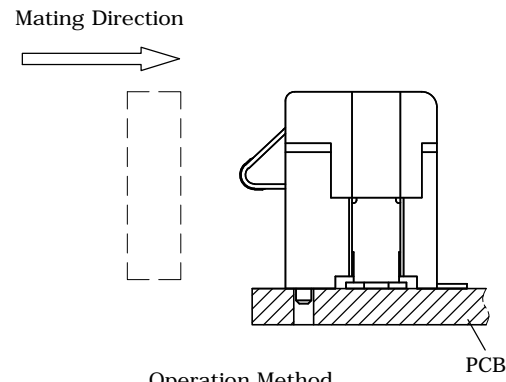
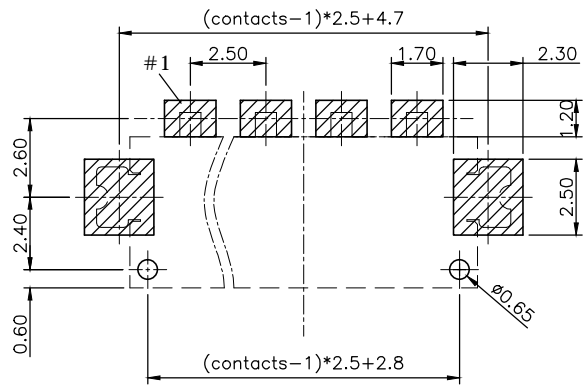
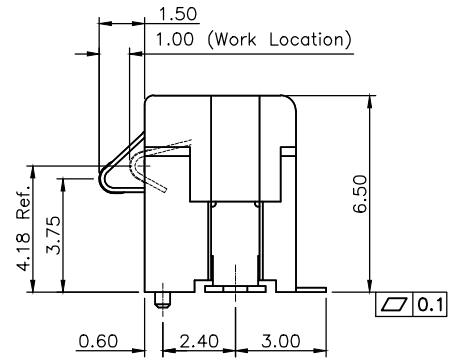
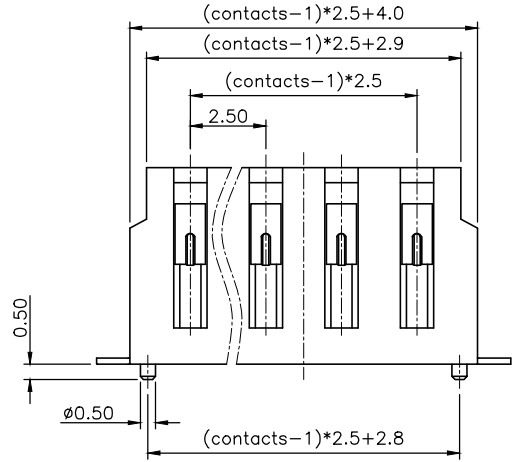
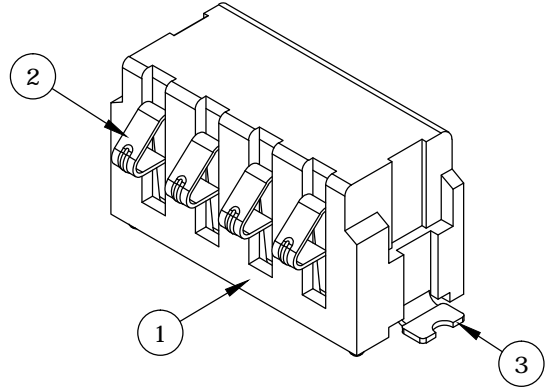
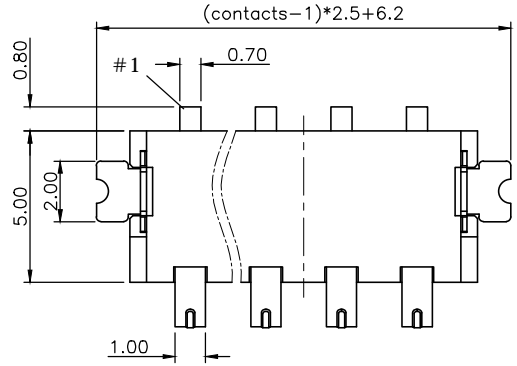


REV.	DESCRIPTION	DRAWN	DATE
1	INITIAL RELEASE	TIM	2020/06/01



RECOMMENDED LAYOUT (TOP VIEW)
GENERAL TOLERANCE: ±0.05mm

SPECIFICATION:

1. ELECTRICAL
 - 1.1 Current Rating: 2.0A
 - 1.2 Voltage Rating: 12V
 - 1.3 Contact Resistance: 40mΩ Max
 - 1.4 Insulation Resistance: 1000MΩ Min
 - 1.5 Dielectric Withstanding Voltage: 500VAC
2. MECHANICAL
 - 2.1 Normal Force: 200g Max. at Working Location
 - 2.2 Durability: 5,000 cycles
3. ENVIRONMENTAL
 - 3.1 Operating temperature range: -40 °C~+105°C
 - 3.2 Storage temperature range: -40 °C~+105°C
4. SOLDER ABILITY
 - 4.1 Recommended IR -Reflow Temperature: 260 °C

How to order:

304C- 6525 XX
1

1 pin count: xx= 03~08
(Please contact with sales for the pins count available)

3	Latch	Copper Alloy, Tin plating over Nickel			
2	Contact	Copper Alloy,			
		Contact area: 5u"Gold plating over Nickel Solder Tail: G/F plating over Nickel			
1	Housing	Thermoplastic, UL 94V-0, Black			
NO.	PART NAME	DESCRIPTION			
UNLESS OTHERWISE SPECIFIED TOLERANCE					
UNIT:	DECIMAL	LINEAR	ANGLES		
	X.	±0.50	±5°		
	X.X	±0.25	±3°		
	X.XX	±0.12	±1°		
www.attend.com.tw					
DRAWN	Tim	2020/06/01	DRAWN NAME: Battery Connector, R/A, SMT Pitch 2.5, H=6.5, XXPin, 5u", Reel		
CHECKED	Fros	2020/06/01			
APPROVED	Ken	2020/06/01	PRODUCT NO. 304C-6525XX		
SCALE	4/1	SHEET	1/1	FILE NAME	304C-6525XX_B_1
	SIZE		A4		

