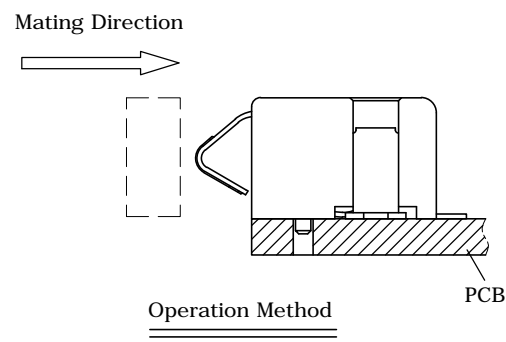
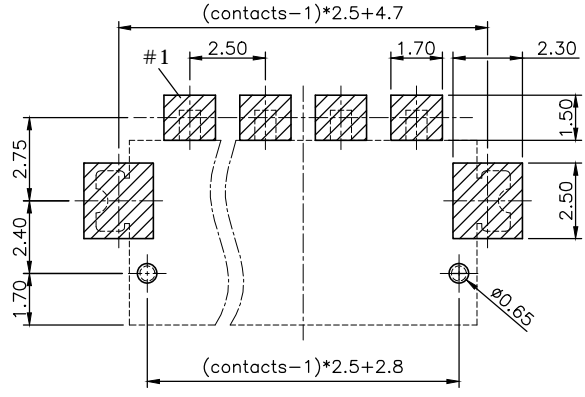
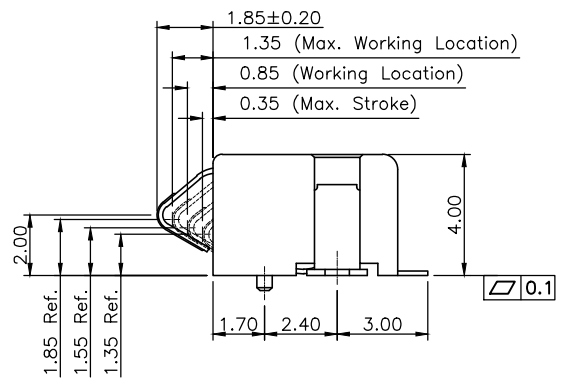
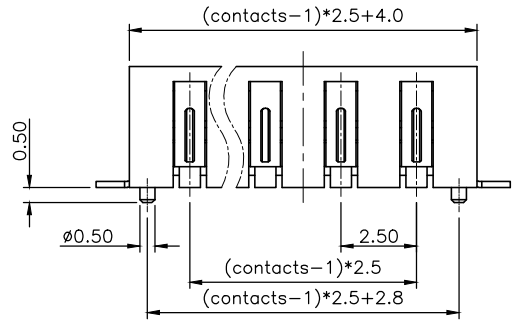
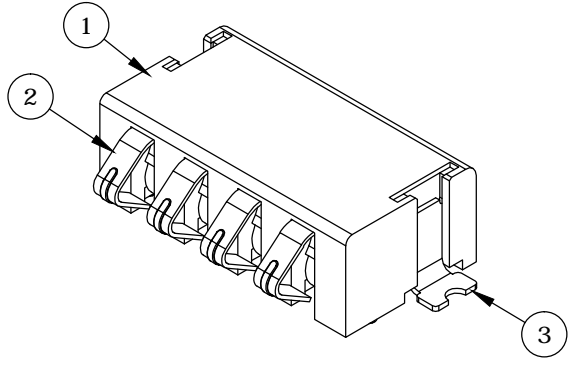
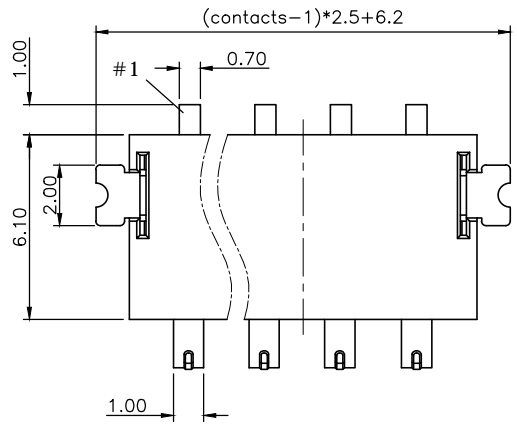


REV.	DESCRIPTION	DRAWN	DATE
1	INITIAL RELEASE	TIM	2020/06/01



**RECOMMENDED LAYOUT ( TOP VIEW )**  
**GENERAL TOLERANCE: ±0.05mm**


**SPECIFICATION:**

1. ELECTRICAL
  - 1.1 Current Rating: 3.5A
  - 1.2 Voltage Rating: 12V
  - 1.3 Contact Resistance: 40mΩ Max
  - 1.4 Insulation Resistance: 1000MΩ Min
  - 1.5 Dielectric Withstanding Voltage: 500VAC
2. MECHANICAL
  - 2.1 Normal Force: 200g Max. at Working Location
  - 2.2 Durability: 5,000 cycles
3. ENVIRONMENTAL
  - 3.1 Operating temperature range: -40 °C~+105°C
  - 3.2 Storage temperature range: -40 °C~+105°C
4. SOLDER ABILITY
  - 4.1 Recommended IR -Reflow Temperature: 260 °C

**How to order:**

304C- 4025 XX  
 1

1 pin count: xx= 03~08  
 (Please contact with sales for the pins count available)

3	Latch	Copper Alloy, Tin plating over Nickel	
2	Contact	Copper Alloy,	
		Contact area: 5u"Gold plating over Nickel	
		Solder Tail: G/F plating over Nickel	
1	Housing	Thermoplastic, UL 94V-0, Black	
NO.	PART NAME	DESCRIPTION	
UNLESS OTHERWISE SPECIFIED TOLERANCE			
UNIT:	DECIMAL	LINEAR	ANGLES
	X.	±0.50	±5°
	X.X	±0.25	±3°
	X.XX	±0.12	±1°
DRAWN Tim 2020/06/01			 <a href="http://www.attend.com.tw">www.attend.com.tw</a>
DRAWN NAME: Battery Connector, R/A, SMT			
CHECKED Fros 2020/06/01			
APPROVED Ken 2020/06/01			
PRODUCT NO. 304C-4025XX			
SCALE 4/1	SHEET 1/1	SIZE A4	FILE NAME 304C-4025XX_B_1