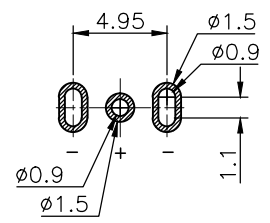
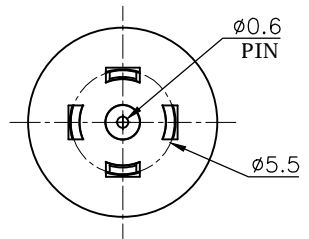
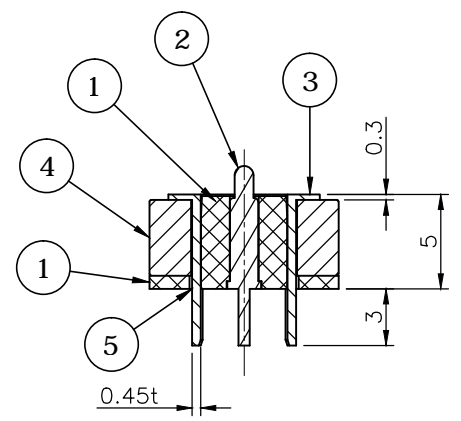
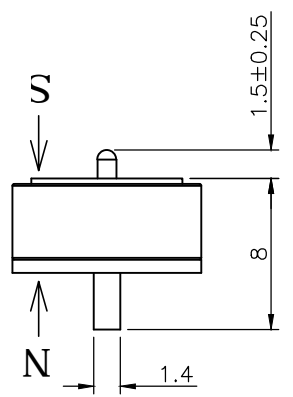
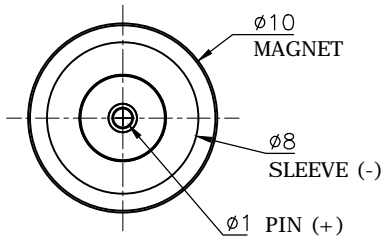


REV.	DESCRIPTION	DRAWN	DATE
1	INITIAL RELEASE	FROS	2022/03/10




RECOMMENDED LAYOUT  
GENERAL TOLERANCE: ±0.05mm

**SPECIFICATION:**

1. Contact Resistance: 50mΩ
2. Contact Force: 80g±20g at 1.1 working stroke
3. Durability: 20,000 Cycle Min.
4. Operating Temperature Range: -30°C~+60°C
3. Soldering by manual only

303D-D100F02	3A	12VDC	500g
Match P/N	Current	Voltage	Magnetic Adsorption Force

5	GLUE	LSR-67
4	MAGNET	N35 NdFeB, Nickel plating
3	SLEEVE	Lead Free Brass, Nickel plating
2	POGO PIN	Lead Free Brass, 10u" Gold plating, over Nickel
1	HOUSING	HTN, UL94V-0, Black
NO. PART NAME		DESCRIPTION
UNLESS OTHERWISE SPECIFIED TOLERANCE		
UNIT:	SIZE	LINEAR ANGLES
mm	0-6	±0.1
	6-30	±0.2
	30-150	±0.3
		±2°
 www.attend.com.tw		
DRAWN	Fros	2022/03/10
CHECKED	Tim	2022/03/10
APPROVED	Ken	2022/03/10
DRAWN NAME:		Pogo Pin Magnet Type, 2P, 10.0D, DIP, 10u", 500g, 3A, black
PRODUCT NO.		303D-D100M02
SCALE	SHEET	SIZE
2.5	1/1	A4
FILE NAME		303D-D100M02_B_1