

REV.	DESCRIPTION	DRAWN	DATE
2	Revised shape & color	FROS	2020/05/27
2.1	Revise 12.55->12.40, add glue in magnet hole	FROS	2020/05/29
3	ECR221031001	TIM	2022/10/31

SPECIFICATION:

1. ELECTRICAL

- 1.1 Current Rating: 2A per pin
- 1.2 Voltage Rating: 5VDC
- 1.3 Contact Resistance: 50mΩ
- 1.4 Insulation Resistance: 500MΩ
- 1.5 Dielectric Withstanding Voltage: 500VAC

2. MECHANICAL

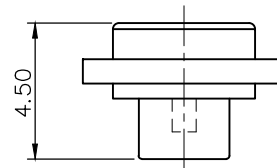
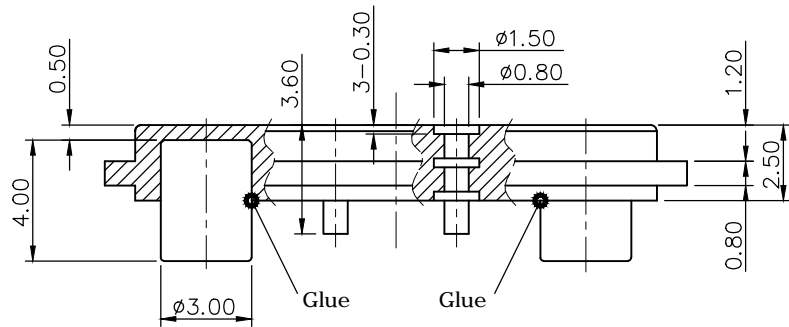
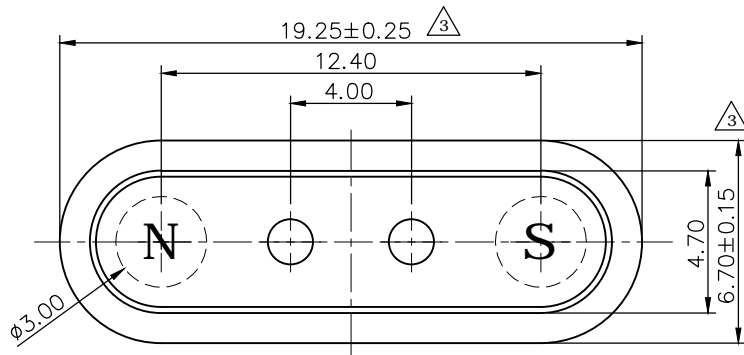
- 2.1 Durability: 10,000 Cycle
- 2.2 Pin Strength: 9.8N min.
- 2.3 Pin Pulling off Force: 4.9N min.

3. ENVIRONMENTAL

- 3.1 Operating temperature range: -30°C~+85°C
- 3.2 Storage temperature range: -30°C~+85°C

4. SOLDER ABILITY

- 4.1 Recommended IR-Reflow (Wave Soldering) Temperature: 260°C



3	Magnet	N52, Φ3X4.0, 200u" min. nickel plating, 3600±10% GS
2	Housing	Nylon PA46, UL94V-0, white color
1	Machine Pin	Brass C3604, 3u" min. gold plating over 50-120u" min. nickel plating

NO.	PART NAME	DESCRIPTION					
UNLESS OTHERWISE SPECIFIED TOLERANCE							
UNIT:	DECIMAL	LINEAR	ANGLES				
mm	X.	±0.50	±5°				
	X.X	±0.25	±3°				
	X.XX	±0.12	±1°				
www.attend.com.tw							
DRAWN	Fros	2020/03/18	DRAWN NAME:				
CHECKED	Tim	2020/03/18	Pogo Machine Pin, Water proof, Magnet Type H=4.5mm, Pitch 4.0, DIP, 3u", White color				
APPROVED	Ken	2020/03/18	PRODUCT NO. 303C-C4515-40-02				
SCALE	4/1	SHEET	1/1	SIZE	A4	FILE NAME	303C-C4515-40-02_B_3

