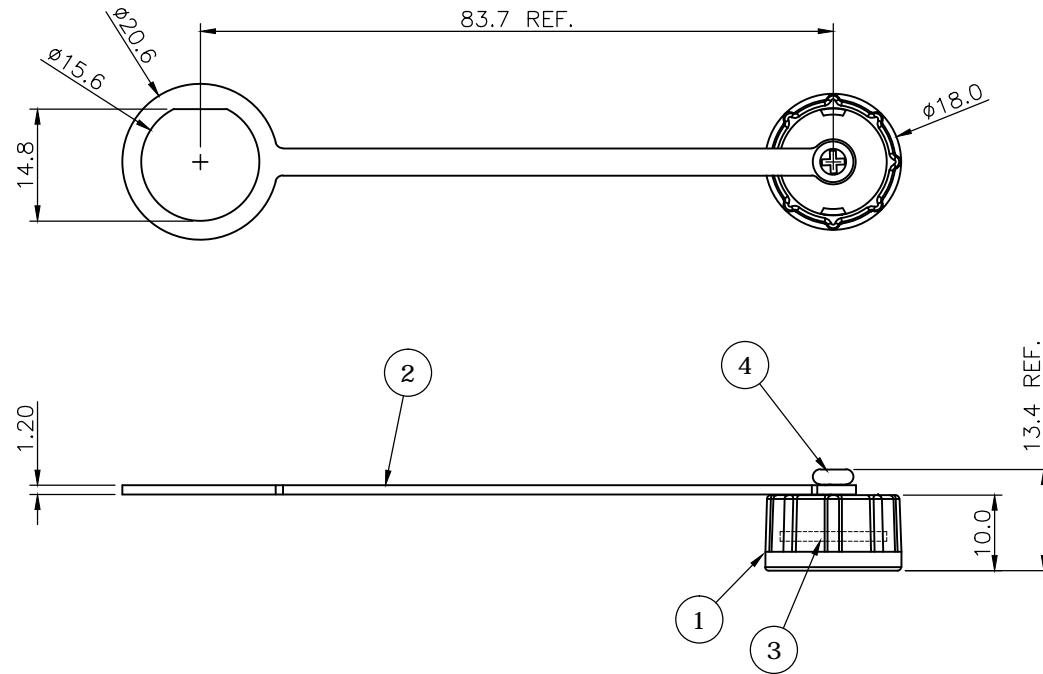


REV.	DESCRIPTION	DRAWN	DATE
1	INITIAL RELEASE	Fros	2020/06/10
2	ECR240416001	Tim	2024/04/16



4	SCREW	Steel		
3	GASKET	Silicon, Black		
2	LEAD	PVC, Black		
1	CAP	PA66, Black		
NO.	PART NAME	DESCRIPTION		
UNLESS OTHERWISE SPECIFIED TOLERANCE				
UNIT:	DECIMAL	LINEAR	ANGLES	
	X.	±0.50	±5°	
	X.X	±0.25	±3°	
mm	X.XX	±0.12	±1°	
	www.attend.com.tw			
DRAWN	Fros	2020/06/10	DRAWN NAME: B Size Waterproof Cover Lock Bayonet Type	
CHECKED	Tim	2020/06/10		
APPROVED	Ken	2020/06/10		
SCALE 1/1		SHEET 1/1	SIZE A4	PRODUCT NO. 227B-0001
FILE NAME		227B-0001_B_2		

