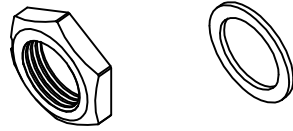
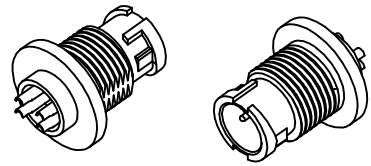


REV.	DESCRIPTION	DRAWN	DATE
1	INITIAL RELEASE	FROS	2020/06/10

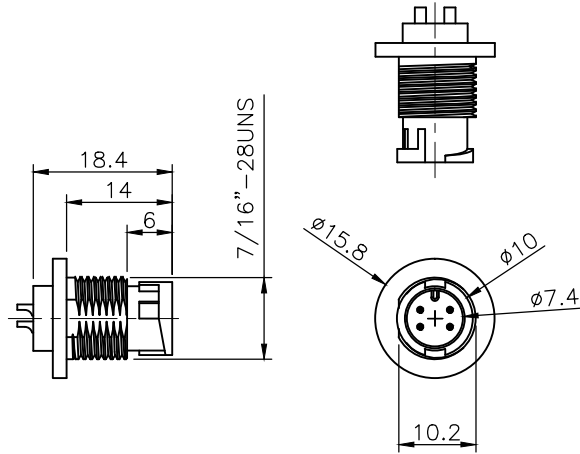
SPECIFICATION:

1. Current Rating: 2A/ 5A per pin (see P2. table)
2. Contact Resistance: 10mΩ
3. Insulation Resistance: 100MΩ
4. Dielectric Withstanding Voltage: 500VAC
5. Durability: 1000 Cycle
6. Operating temperature range: -40°C~+85°C
7. Storage temperature range: -40°C~+85°C
8. Water Proof: IP67

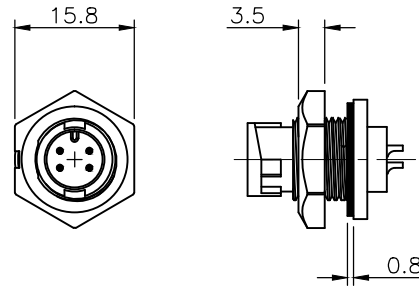


Nut Gasket

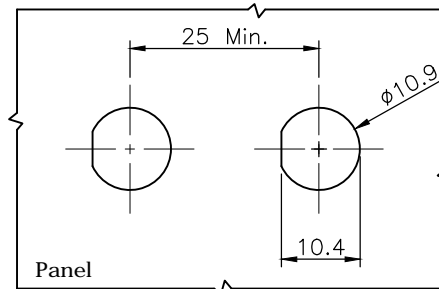
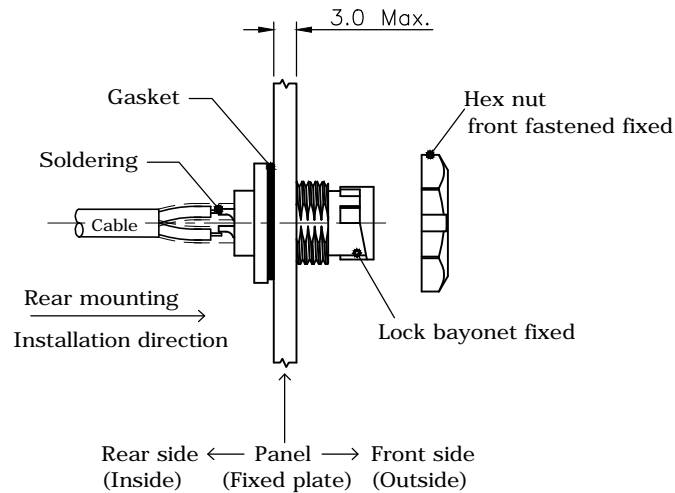
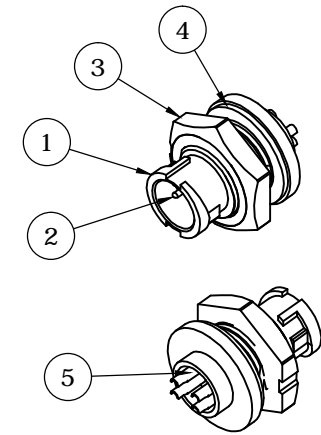
Accessories



Body



Assembly View



Recommend Panel Cut

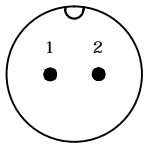
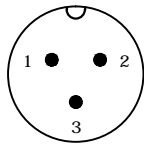
5	GLUE	EPOXY	
4	GASKET	Silicone, Gray	
3	HEX NUT	PA66, UL94V-0, Black	
2	CONTACT	Brass, 1u' Min. Gold Plating over Nickel	
1	HOUSING	PA66, UL94V-0, Black	
NO.	PART NAME	DESCRIPTION	
UNLESS OTHERWISE SPECIFIED TOLERANCE			
UNIT:	DECIMAL	LINEAR	ANGLES
	X.	±0.50	±5°
	X.X	±0.25	±3°
	X.XX	±0.12	±1°
mm		www.attend.com.tw	
DRAWN	Fros	2020/06/10	
CHECKED	Tim	2020/06/10	
APPROVED	Ken	2020/06/10	
SCALE 1/1		SHEET 1/2	SIZE A4
DRAWN NAME:		A Size Connector, Panel Fixed Front	
PRODUCT NO.		see page 2 table	
FILE NAME		227A-SMMO_B_1	

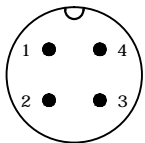
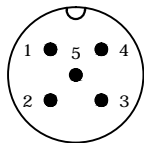
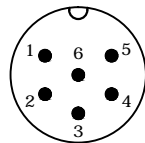


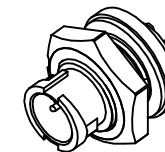
DRAWN NAME:
A Size Connector, Panel Fixed Front
Fastened Bayonet, M Skt M Solder Pin

REV.	DESCRIPTION	DRAWN	DATE
	SEE SHEET ONE		


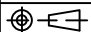
TABLE: Pin Count/ Pin Assignment/ Current Rating/ Part Number

Part Number	227A-02M03	227A-03M03
Pin Assignment		
Pin Count	2Pin	3Pin
Current Rating	5A	5A

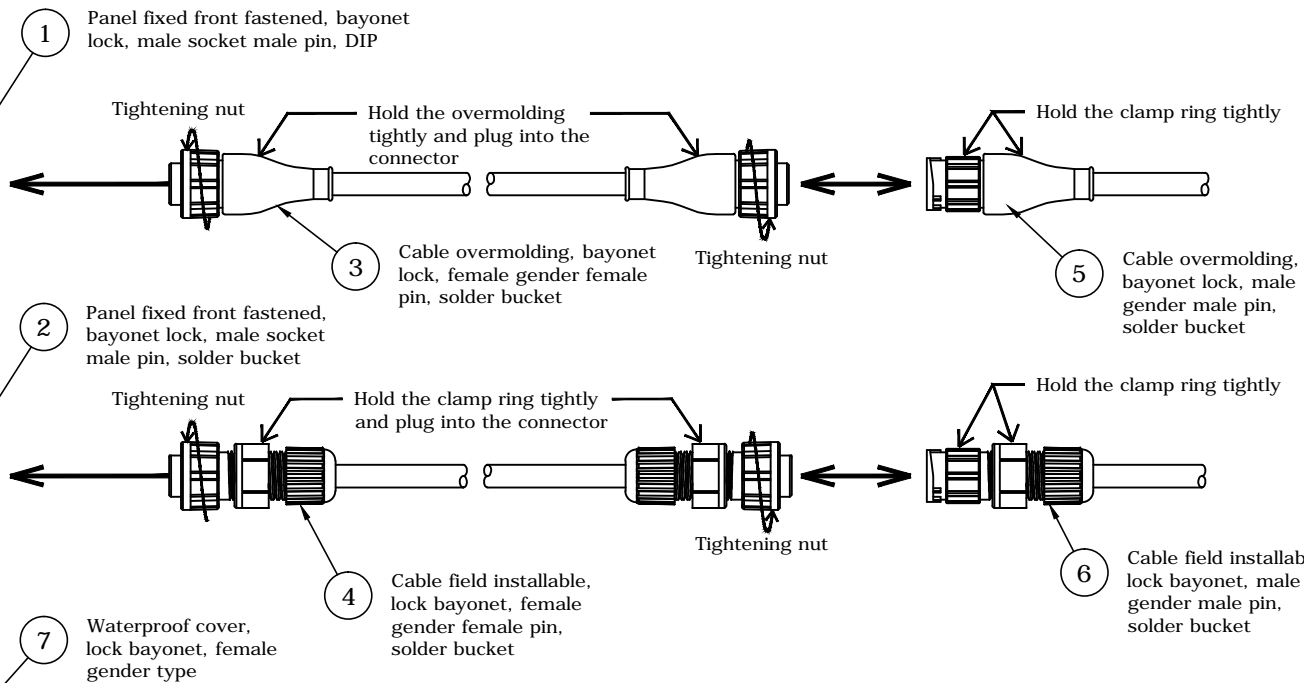
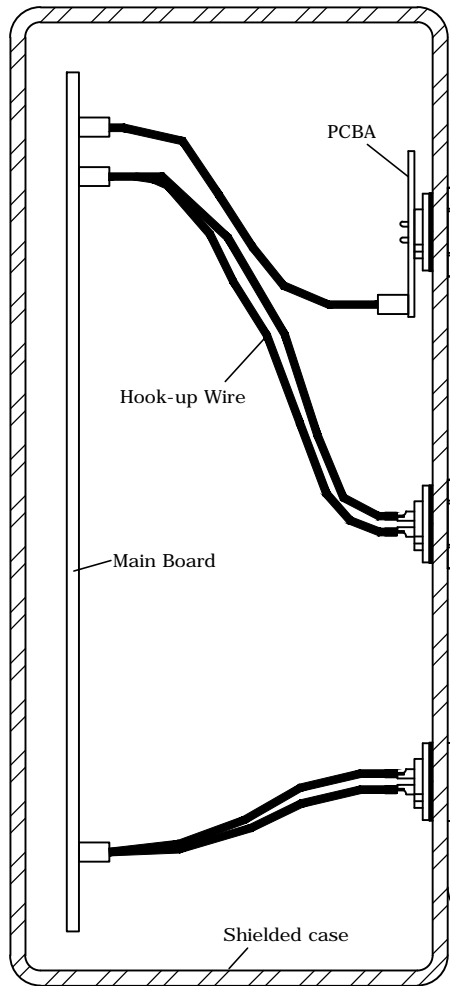
Part Number	227A-04M03	227A-05M03	227A-06M03
Pin Assignment			
Pin Count	4Pin	5Pin	6Pin
Current Rating	2A	2A	2A



Drawing Number: 227A-SMM0
 Description: A size connector, panel fixed front fastened bayonet lock, male Socket male pin, solder bucket

UNLESS OTHERWISE SPECIFIED TOLERANCE				 www.attend.com.tw	
UNIT:	DECIMAL	LINEAR	ANGLES		
mm	X.	±0.50	±5°		
	X.X	±0.25	±3°		
	X.XX	±0.12	±1°		
DRAWN	Fros	2020/06/10	DRAWN NAME:		
CHECKED	Tim	2020/06/10	A Size Connector, Panel Fixed Front Fastened Bayonet, M Skt M Solder Pin		
APPROVED	Ken	2020/06/10	PRODUCT NO.	see table	
	SCALE	SHEET	SIZE	FILE NAME	227A-SMM0_B_1
	1/1	2/2	A4		

REV.	DESCRIPTION	DRAWN	DATE
1	INITIAL RELEASE	FROS	2020/06/10




Application	Ball no.	Drawing Number	Gender		Matchable drawing numbers			
			Conn. type	Pin type	1	2	3	4
Panel Fixed	①	227A-DMMO	Male	Male	227A-MFFO	227A-AFFO	227A-0001	
	②	227A-SMMO			③	④	⑦	
Cable	③	227A-MFFO	Female	Female	227A-DMMO	227A-SMMO	227A-MMMO	227A-AMMO
	④	227A-AFFO			①	②	⑤	⑥
	⑤	227A-MMMO	Male	Male	227A-MFFO	227A-AFFO	227A-0001	
	⑥	227A-AMMO			③	④	⑦	
Accessories	⑦	227A-0001	Female		①	②	⑤	⑥

UNLESS OTHERWISE SPECIFIED TOLERANCE

UNIT:	DECIMAL	LINEAR	ANGLES
mm	X.	±0.50	±5°
	X.X	±0.25	±3°
	X.XX	±0.12	±1°

DRAWN	Fros	2020/06/10
CHECKED	Tim	2020/06/10
APPROVED	Ken	2020/06/10
SCALE	1/2	
SHEET	1/1	
SIZE	A4	



ATTEND

www.attend.com.tw

DRAWN NAME: A Size Connector, Application Drawing

PRODUCT NO.

FILE NAME: 227A-Series_B_1