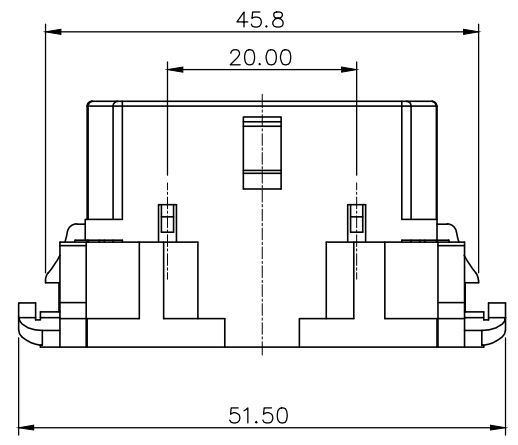
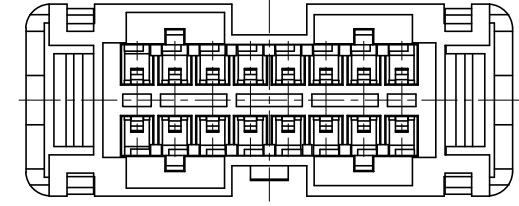
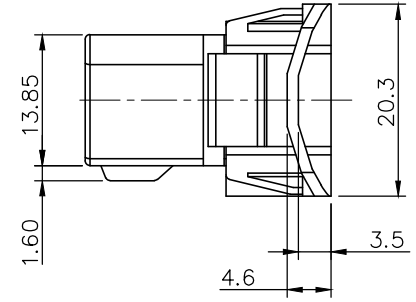
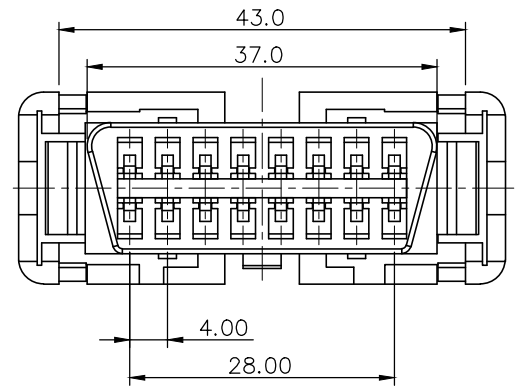
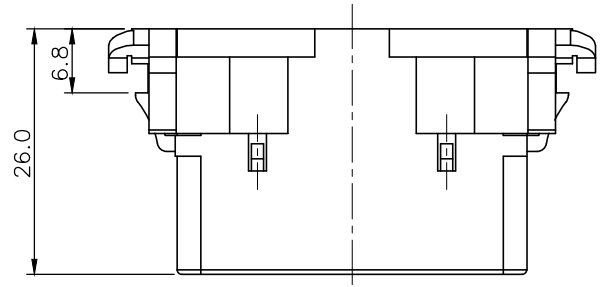


REV.	DESCRIPTION	DRAWN	DATE
1	INITIAL RELEASE	TIM	2019/03/15



1	HOUSING	PA66, UL94V-0, Black	
NO	PART NAME	DESCRIPTION	
UNLESS OTHERWISE SPECIFIED TOLERANCE			
UNIT:	DECIMAL	LINEAR	ANGLES
mm	X.	±0.50	±5°
	X.X	±0.25	±3°
	X.XX	±0.12	±1°
DRAWN			Tim
CHECKED			Fros
APPROVED			Ken
SCALE			1.25
SHEET			1/1
SIZE			A4
DRAWN NAME:		2019/03/15	
CHECKED		2019/03/15	
APPROVED		2019/03/15	
DRAWN NAME:		OBD2 Housing, Type A Female Mounting Ears, Nylon, Black	
PRODUCT NO.		226B-H003	
FILE NAME		226B-H003_B_1	



www.attend.com.tw