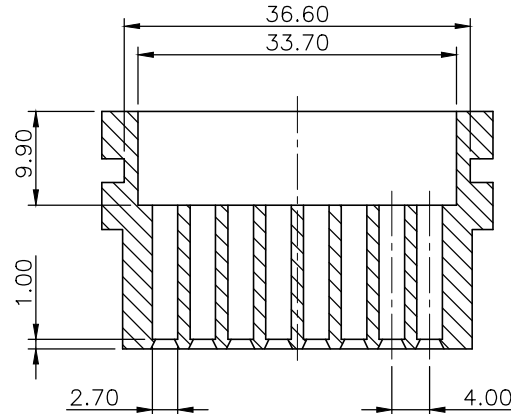
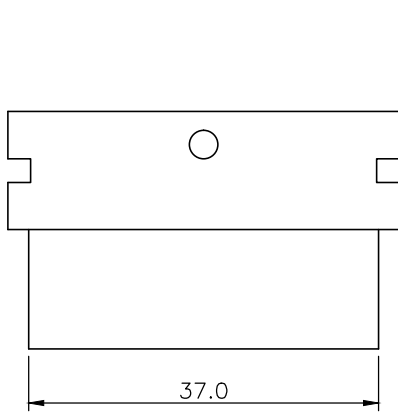
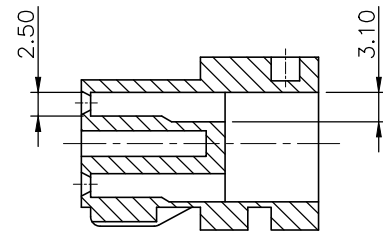
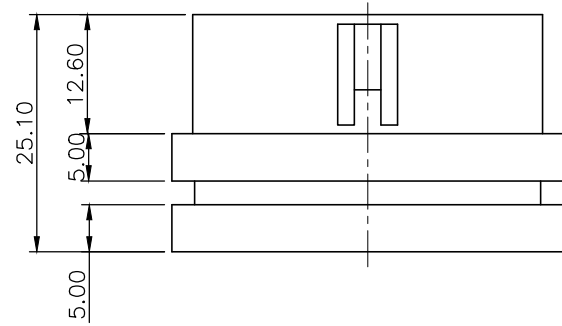
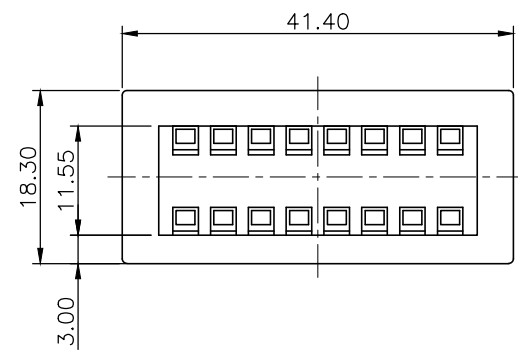
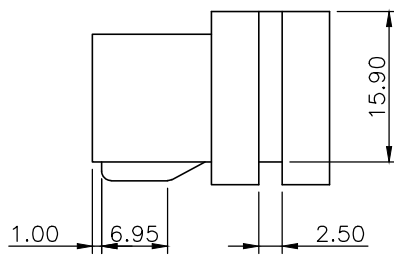
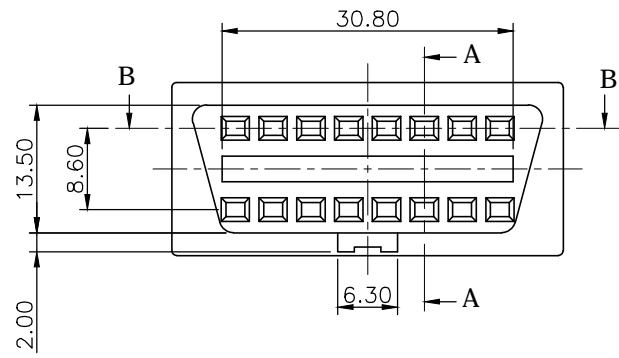


REV.	DESCRIPTION	DRAWN	DATE
1	INITIAL RELEASE	TIM	2019/03/15



SECTION B-B



SECTION A-A

1	HOUSING	PA66, UL94V-0, Black	
NO	PART NAME	DESCRIPTION	
UNLESS OTHERWISE SPECIFIED TOLERANCE			
UNIT:	DECIMAL	LINEAR	ANGLES
mm	X.	±0.50	±5°
	X.X	±0.25	±3°
	X.XX	±0.12	±1°
			www.attend.com.tw
DRAWN	Tim	2019/03/15	DRAWN NAME:
CHECKED	Fros	2019/03/15	OB2 Housing, Type A Female Crimp Type, Nylon, Black
APPROVED	Ken	2019/03/15	PRODUCT NO. 226B-H001
	SCALE 1.25	SHEET 1/1	SIZE A4
FILE NAME		226B-H001_B_1	

