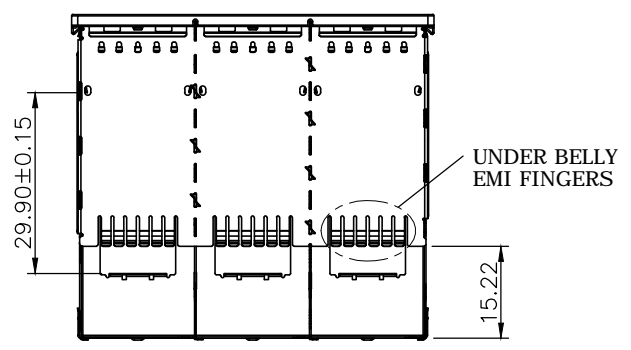
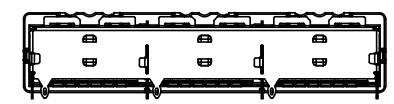
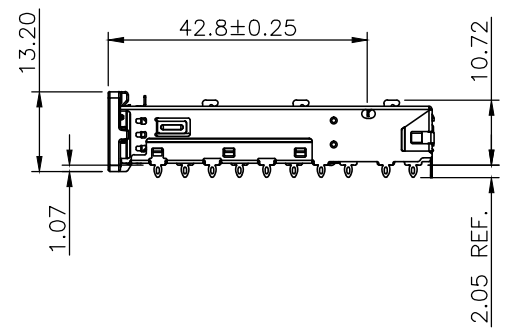
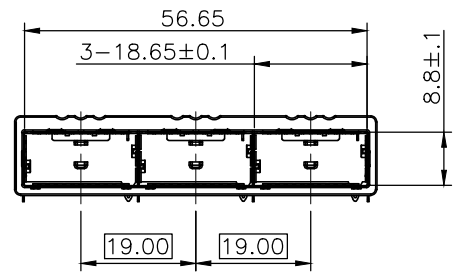
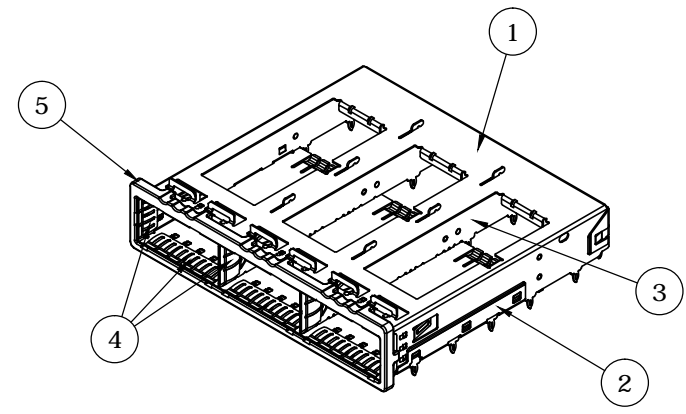
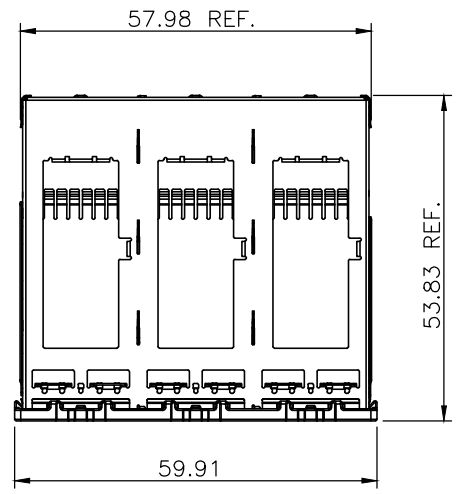


REV.	DESCRIPTION	DRAWN	DATE
1	INITIAL RELEASE	FROS	2016/09/12

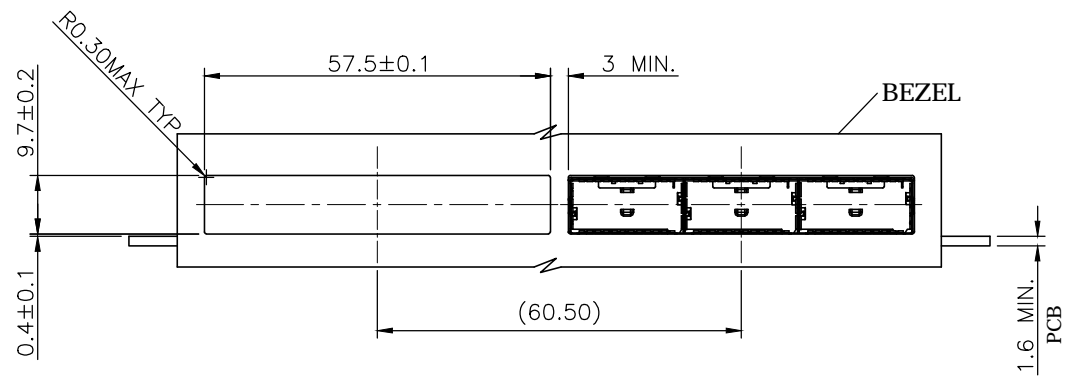


5	FRONT FLANGE	Zinc Alloy, Nickel over Copper plating							
4	EMI SPRING	Stainless Steel							
3	PARTITION	Stainless Steel, 0.25t							
2	CAGE DOWN	Stainless Steel, 0.25t							
1	CAGE UP	Stainless Steel, 0.25t							
NO. PART NAME		DESCRIPTION							
UNLESS OTHERWISE SPECIFIED TOLERANCE									
UNIT:	DECIMAL	LINEAR	ANGLES						
mm	X.	±0.50	±5°						
	X.X	±0.25	±3°						
	X.XX	±0.12	±1°						
DRAWN			Fros	2016/09/12	DRAWN NAME: QSFP Connector 1x3 Port Press Fit Type Cage				
CHECKED			Tim	2016/09/12					
APPROVED			Ken	2016/09/12	PRODUCT NO. 223C-1301				
SCALE			0.8	SHEET	1/4	SIZE	A4	FILE NAME	223C-1301_B_1

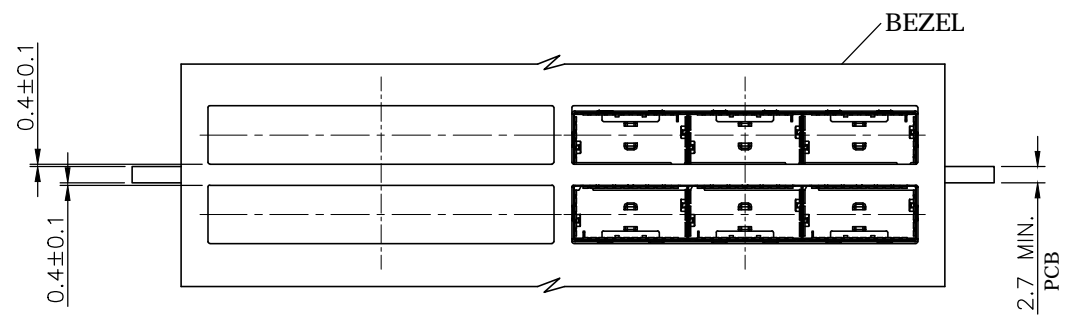
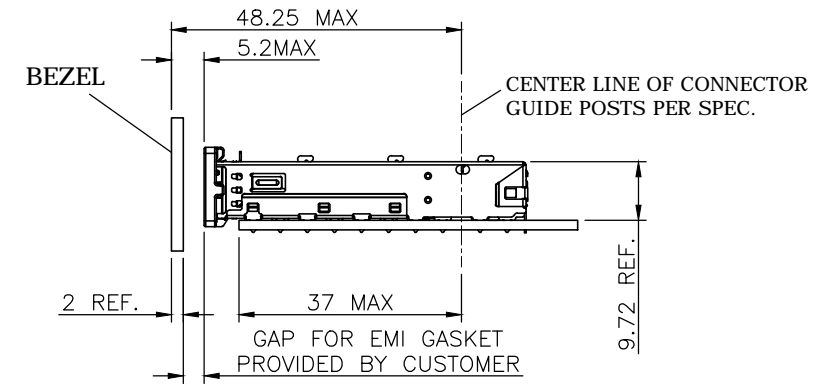


WWW.ATTEND.COM.TW

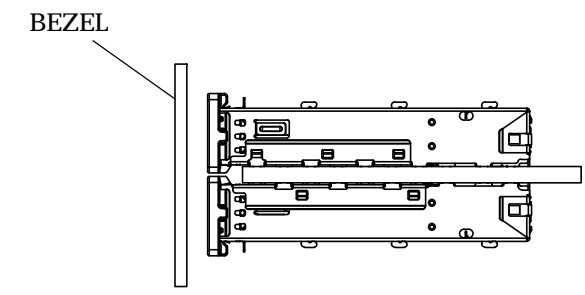
REV.	DESCRIPTION	DRAWN	DATE
1	INITIAL RELEASE	FROS	2016/09/12




BEZEL AND BOARD POSITION DIMENSION FOR SINGLE SIDE MOUNTING (BEHIND BEZEL)

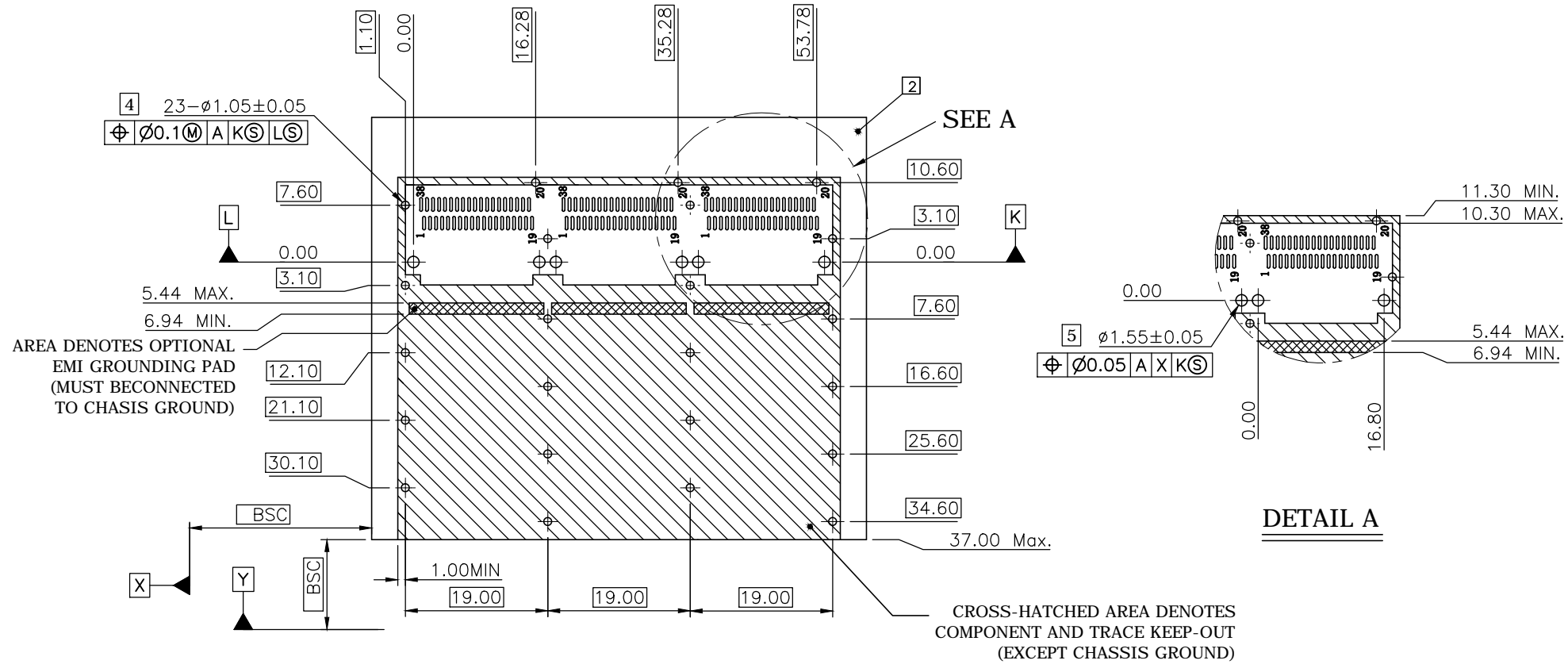


BEZEL AND BOARD POSITION DIMENSION FOR BELLY TO BELLY MOUNTING (BEHIND BEZEL)




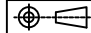
UNLESS OTHERWISE SPECIFIED TOLERANCE					
UNIT:	DECIMAL	LINEAR	ANGLES		
mm	X.	±0.50	±5°	WWW.ATTEND.COM.TW	
	X.X	±0.25	±3°		
	X.XX	±0.12	±1°		
DRAWN	Fros	2016/09/12	DRAWN NAME: QSFP Connector 1x3 Port Press Fit Type Cage		
CHECKED	Tim	2016/09/12	PRODUCT NO. 223C-1301		
APPROVED	Ken	2016/09/12	FILE NAME 223C-1301_B_1		
SCALE 0.8		SHEET 2/4	SIZE A4		

REV.	DESCRIPTION	DRAWN	DATE
1	INITIAL RELEASE	FROS	2016/09/12

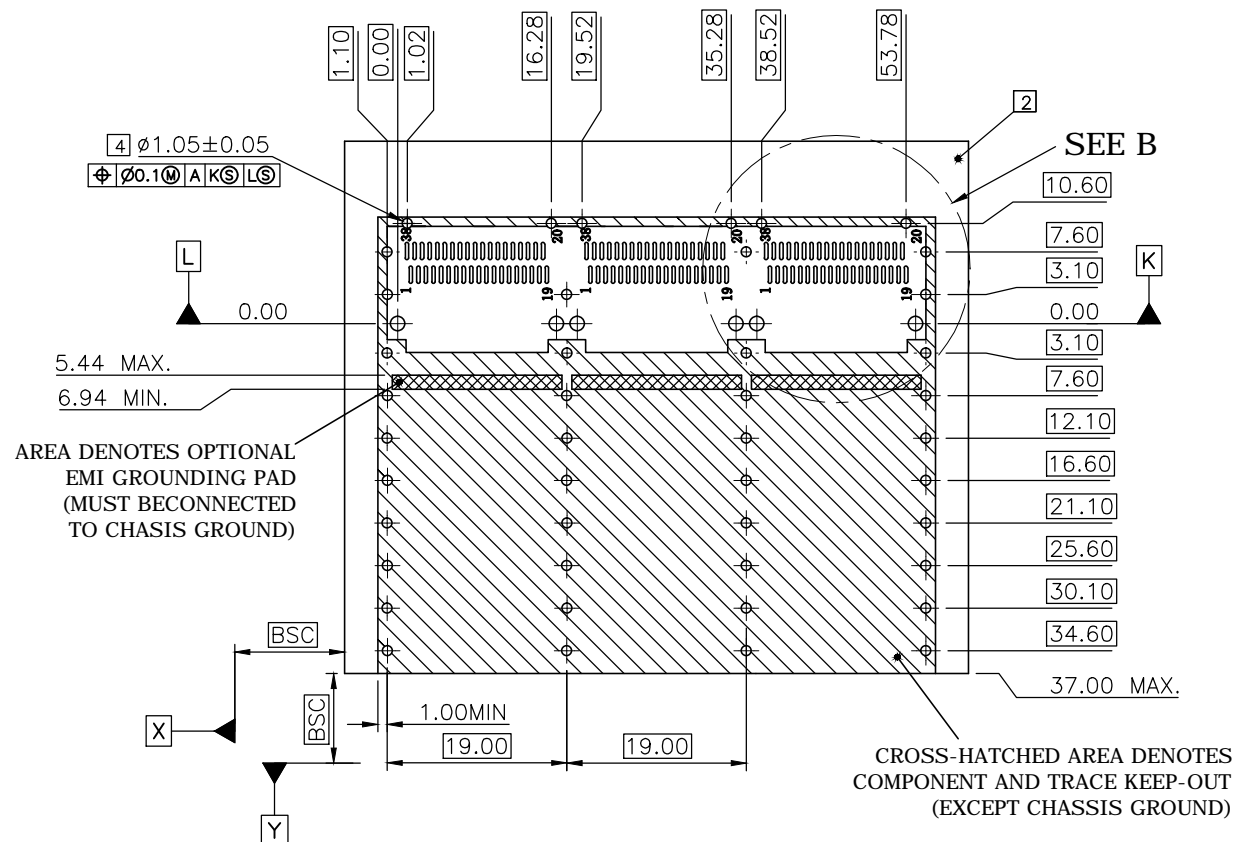


RECOMMENDED SINGLE SIDE PC BOARD LAYOUT

- NOTES:
- DATUM X & Y ARE ESTABLISHED BY THE CUSTOMER'S FIDUCIAL
 - DATUM A IS THE TOP SURFACE OF THE HOST BOARD
 - LOCATION OF THE EDGE OF PCB IS APPLICATION SPECIFIC
 - FINISHED HOLE SIZE
 - UNPLATED THRU HOLE.

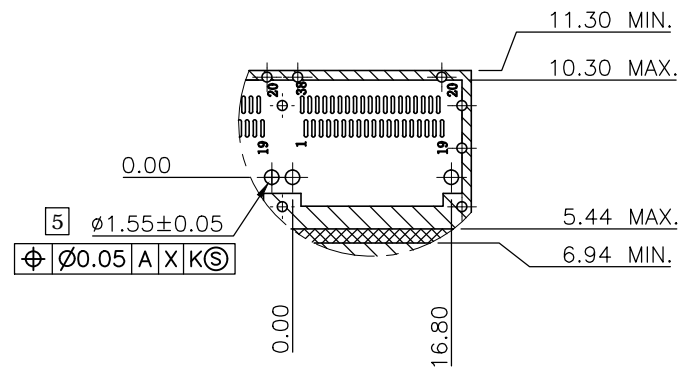
UNLESS OTHERWISE SPECIFIED TOLERANCE				 WWW.ATTEND.COM.TW
UNIT:	DECIMAL	LINEAR	ANGLES	
mm	X.	± 0.50	$\pm 5^\circ$	
	X.X	± 0.25	$\pm 3^\circ$	
	X.XX	± 0.12	$\pm 1^\circ$	
DRAWN	Fros	2016/09/12	DRAWN NAME:	
CHECKED	Tim	2016/09/12	QSFP Connector 1x3 Port Press Fit Type Cage	
APPROVED	Ken	2016/09/12	PRODUCT NO. 223C-1301	
	SCALE 1.25	SHEET 3/4	SIZE A4	FILE NAME 223C-1301_B_1

REV.	DESCRIPTION	DRAWN	DATE
1	INITIAL RELEASE	FROS	2016/09/12

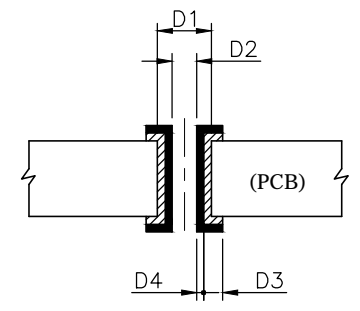


RECOMMENDED BELLY TO BELLY PC BOARD LAYOUT


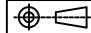
DIMENSIONS NOTE:
D1: 1.15±0.02
D2: 1.05±0.05
D3: 0.025~0.05mm
D4: 0.004~0.01mm Hot Air Solder Leveling (HASL) Tin-Lead
0.0005mm min. Immersion Tin
0.0002~0.0005mm Organic Solderability Preservative (OSP)
0.004~0.0076mm Nickel, 0.0001~0.0005 Immersion Gold



DETAIL B



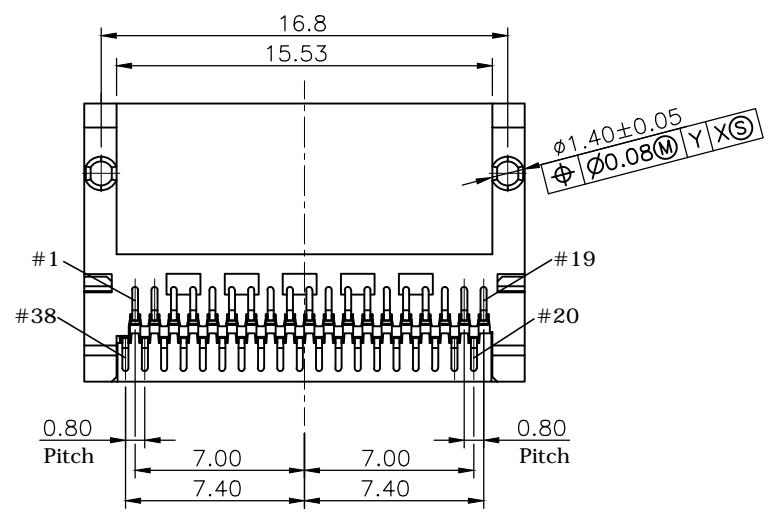
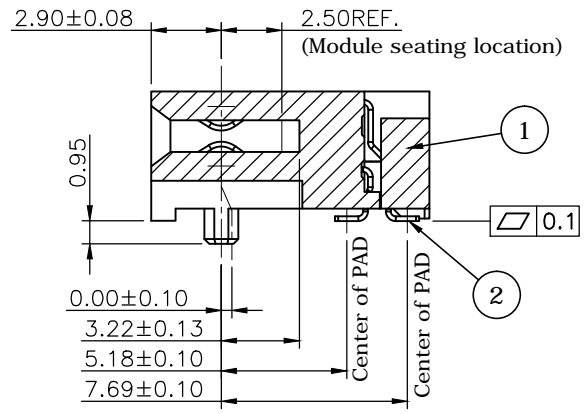
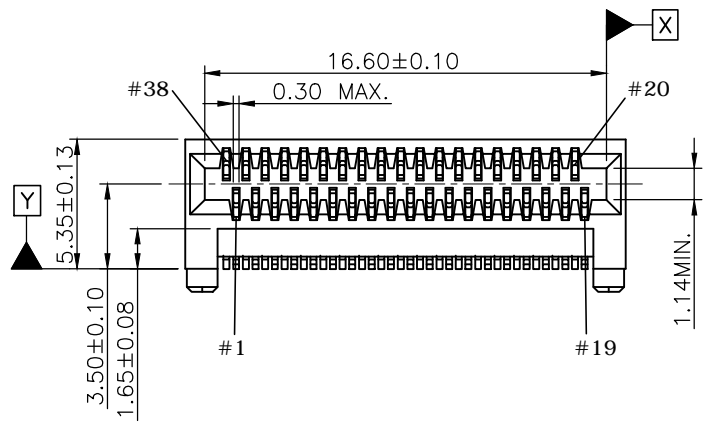
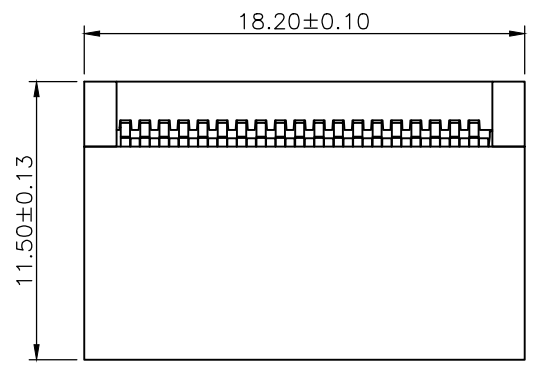
FINISHED HOLE SIZE SPECS

UNLESS OTHERWISE SPECIFIED TOLERANCE				
UNIT:	DECIMAL	LINEAR	ANGLES	
mm	X.	±0.50	±5°	
	X.X	±0.25	±3°	
	X.XX	±0.12	±1°	
WWW.ATTEND.COM.TW				
DRAWN	Fros	2016/09/12	DRAWN NAME:	
CHECKED	Tim	2016/09/12	QSFP Connector 1x3 Port Press Fit Type Cage	
APPROVED	Ken	2016/09/12	PRODUCT NO.	223C-1301
	SCALE 1.25	SHEET 4/4	SIZE A4	FILE NAME 223C-1301_B_1

REV.	DESCRIPTION	DRAWN	DATE
1	INITIAL RELEASE	FROS	2015/09/02
2	CHANGE P/N, SFP002-F38 -> 223C-00E0	FROS	2016/10/30

SPECIFICATION:

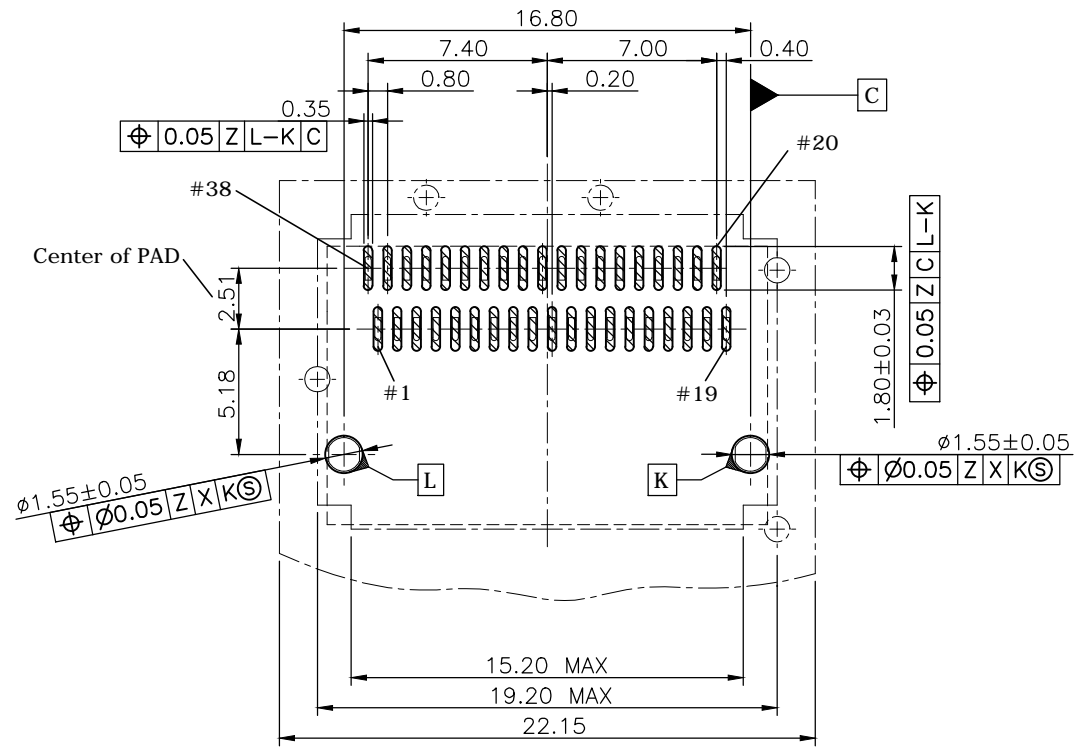
1. ELECTRICAL
 - 1.1 Current Rating: 0.5A max.
 - 1.2 Voltage Rating: 30V AC/DC max.
 - 1.3 Contact Resistance: 80mΩ max.
 - 1.4 Dielectric Withstanding Voltage: 300VAC
2. ENVIRONMENTAL
 - 2.1 Operating temperature range: -20°C~+85°C



2	CONTACT	COPPER ALLOY, CONTACT AREA: 15u" GOLD	
		SOLDER AREA: 100u" TIN	
		UNDER PLATED: 50u" NICKEL	
1	HOUSING	THERMOPLASTIC UL94V-0, BLACK	
NO.	PART NAME	DESCRIPTION	
UNLESS OTHERWISE SPECIFIED TOLERANCE			
UNIT:	DECIMAL	LINEAR	ANGLES
	mm	X. ±0.50	±5°
		X.X ±0.25	±3°
		X.XX ±0.12	±1°
WWW.ATTEND.COM.TW			
DRAWN	Fros	2015/09/02	DRAWN NAME:
CHECKED	Zola	2015/09/02	QSFP Connector, Female, 38 Pin 15u" Gold, Solder Tin Plating
APPROVED	Ken	2015/09/02	PRODUCT NO. 223C-00E0
SCALE	3.2/1	SHEET	1/2
SIZE	A4	FILE NAME	223C-00E0_B_1



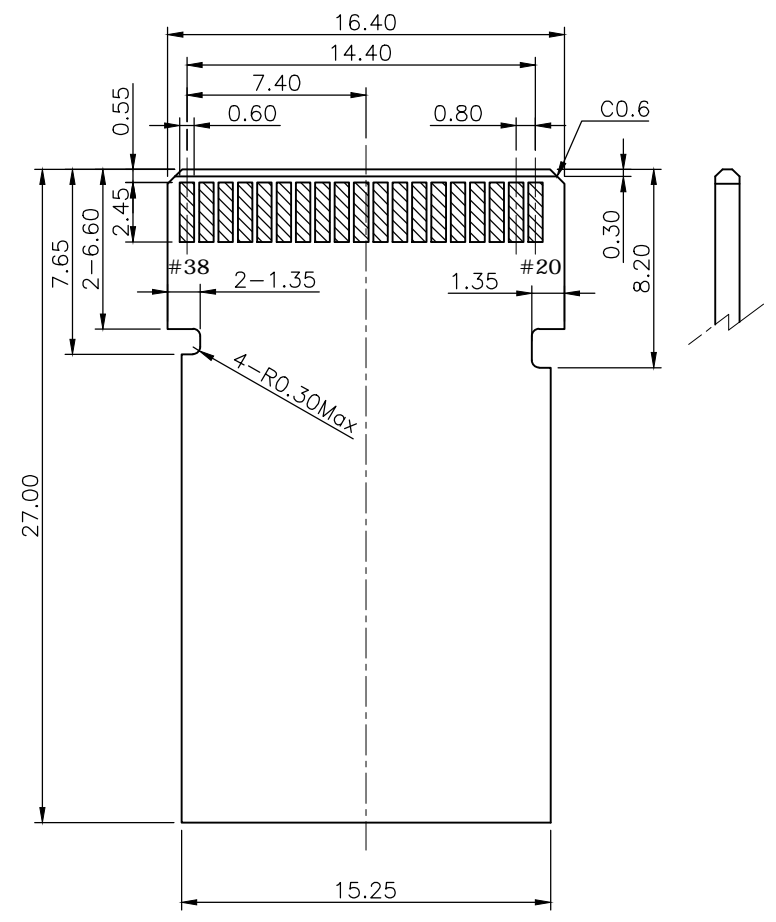
REV.	DESCRIPTION	DRAWN	DATE
	SEE SHEET ONE		



Datum Z is the top surface of the host board

- connector
- cage area
- PAD

RECOMMENDED LAYOUT (TOP VIEW)
GENERAL TOLERANCE: ±0.05mm



PCB DIMENSIONS
GENERAL TOLERANCE: ±0.05mm

UNLESS OTHERWISE SPECIFIED TOLERANCE				
UNIT:	DECIMAL	LINEAR	ANGLES	
mm	X.	±0.50	±5°	
	X.X	±0.25	±3°	
	X.XX	±0.12	±1°	
DRAWN	Fros	2015/09/02	DRAWN NAME: QSFPC Connector, Female, 38 Pin 15u" Gold, Solder Tin Plating	
CHECKED	Zola	2015/09/02		
APPROVED	Ken	2015/09/02		
	SCALE 3.2/1	SHEET 2/2	SIZE A4	PRODUCT NO. 223C-00E0
				FILE NAME 223C-00E0_B_1



WWW.ATTEND.COM.TW

2/2