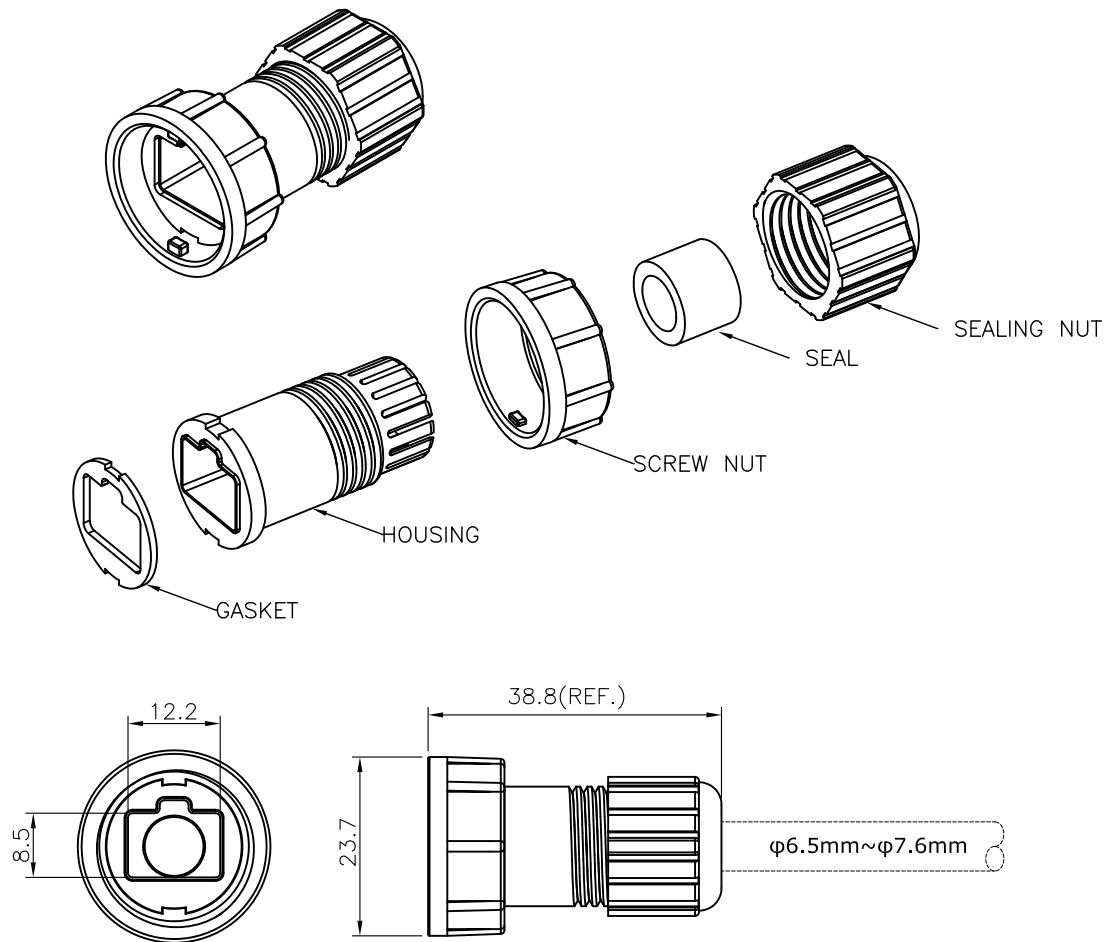



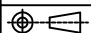
REV.	DESCRIPTION	DRAWN	DATE
1	INITIAL RELEASE	FROS	2020/10/05

Notes:

1. Len cable OD: $\phi 6.5 \sim \phi 7.6\text{mm}$
2. Water proof IP67
3. Operation Temperature: -40°C to $+85^{\circ}\text{C}$



5	SEALING NUT	PA66
4	SEAL	SILICONE
3	SCREW NUT	PA66
2	CLAMP RING	PA66
1	GASKET	SILICONE
NO.	PART NAME	DESCRIPTION

UNLESS OTHERWISE SPECIFIED TOLERANCE					
UNIT:	DECIMAL	LINEAR	ANGLES		
mm	X.	± 0.50	$\pm 5^{\circ}$	www.attend.com.tw	
	X.X	± 0.25	$\pm 3^{\circ}$		
	X.XX	± 0.12	$\pm 1^{\circ}$		
DRAWN	Fros	2020/10/05	DRAWN NAME:		
CHECKED	Tim	2020/10/05	RJ45 Plug Cable Gland, Lock Type, PA66		
APPROVED	Ken	2020/10/05	PRODUCT NO.	222A-03006	
	SCALE 1/1	SHEET 1/1	SIZE A4	FILE NAME	222A-03006_B_1