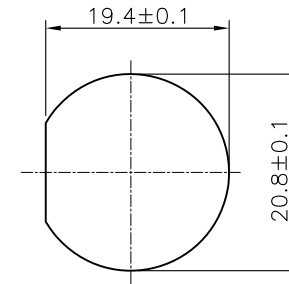
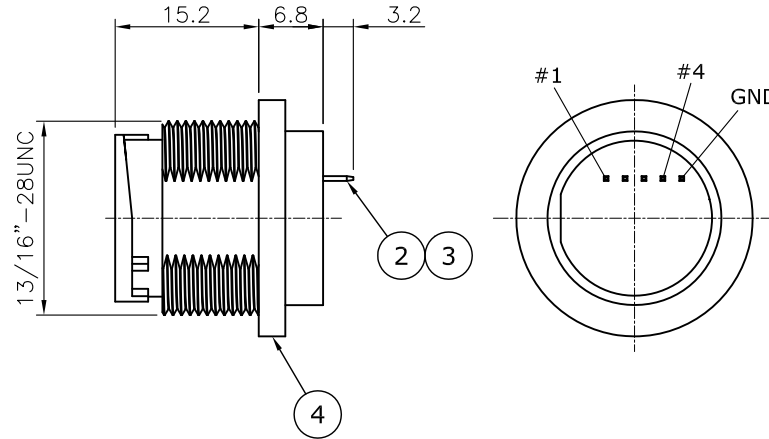
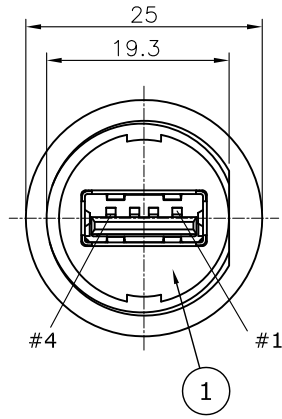


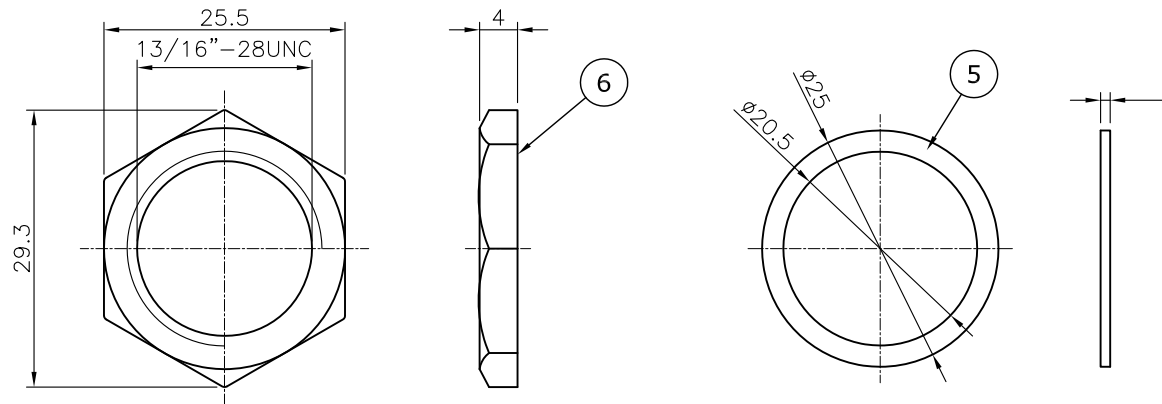
REV.	DESCRIPTION	DRAWN	DATE
1	INITIAL RELEASE	FROS	2019/11/01

SPECIFICATION:

1. Current Rating: 1.5A
2. Voltage Rating: 250VAC
3. Waterproof: IPX7
4. Operating temperature range: -40°C~+85°C



Recommended panel cut



6	NUT	PA66 UL94V-0, black
5	GASKET	Silicon, gray
4	SHELL	PA66 UL94V-0, black
3	GROUND	Stainless steel, Nickel plating over all
2	CONTACT	Phosphor Bronze, Gold flash over Nickel
1	HOUSING	PBT, UL94V-0, black

NO.	PART NAME	DESCRIPTION	
UNLESS OTHERWISE SPECIFIED TOLERANCE			
UNIT:	DECIMAL	LINEAR	ANGLES
mm	X.	±0.50	±5°
	X.X	±0.25	±3°
	X.XX	±0.12	±1°
DRAWN: Fros 2019/11/01 DRAWN NAME: USB 2.0 A Type Waterproof Socket, Front Fastened Plastic, Quick-Lock, G/F			
CHECKED: Tim 2019/11/01			
APPROVED: Ken 2019/11/01 PRODUCT NO. 222A-01003			
SCALE	SHEET	SIZE	FILE NAME
1.25	1/1	A4	222A-01003_B_1



www.attend.com.tw