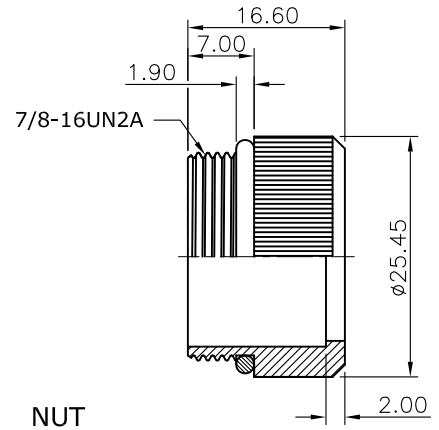
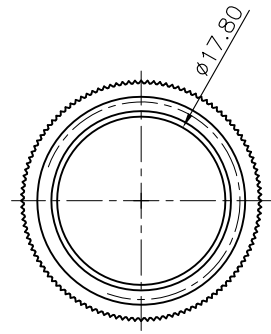
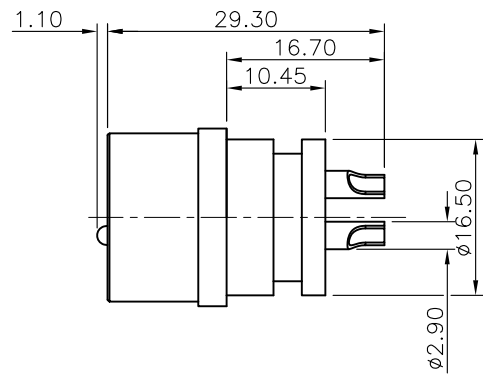
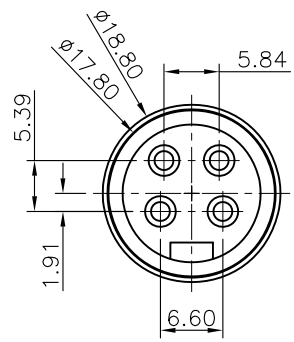
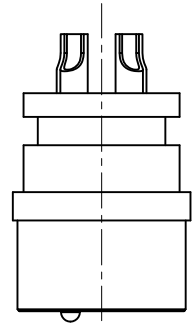


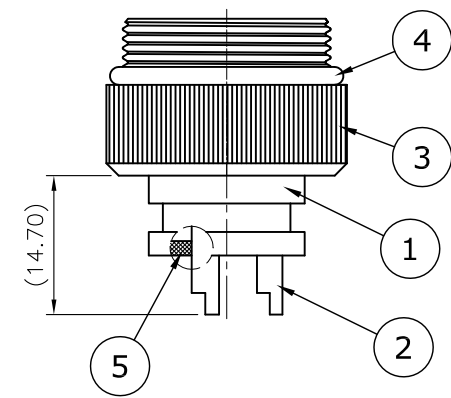
REV.	DESCRIPTION	DRAWN	DATE
1	INITIAL RELEASE	TIM	2016/09/02




NUT

SPECIFICATION:

1. CURRENT RATING: 20A
2. VOLTAGE: 125V
3. WATER PROOF: IPX7
4. OPERATION TEMPERATURE: -20°C TO +85°C



5	EPOXY BASE	EF400A&EF400B,Black
4	O-RING	NBR,Black
3	NUT	Brass, Nickel plated
2	CONTACT	Brass, Gold plating over Nickel
1	HOUSING	PBT, UL94V-0, Yellow
NO	PART NAME	DESCRIPTION

UNLESS OTHERWISE SPECIFIED TOLERANCE					
UNIT:	DECIMAL	LINEAR	ANGLES		
mm	X.	±0.50	±5°	WWW.ATTEND.COM.TW	
	X.X	±0.25	±3°		
	X.XX	±0.12	±1°		
DRAWN	Tim	2016/09/02	DRAWN NAME:		
CHECKED	Fros	2016/09/02	M23 A-Code Plug for Cable		
APPROVED	Ken	2016/09/02	4Pin Male For Overmold with Cable		
SCALE	1.25	SHEET	1/1	SIZE	A4
FILE NAME		221A-04MO0_B_0			