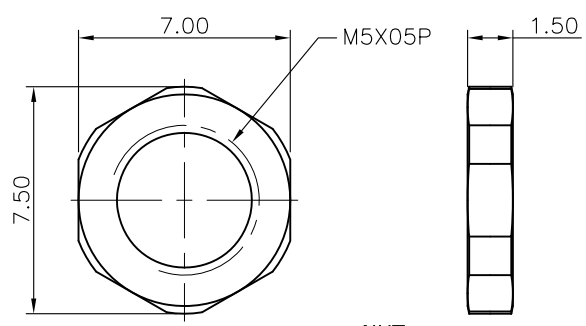
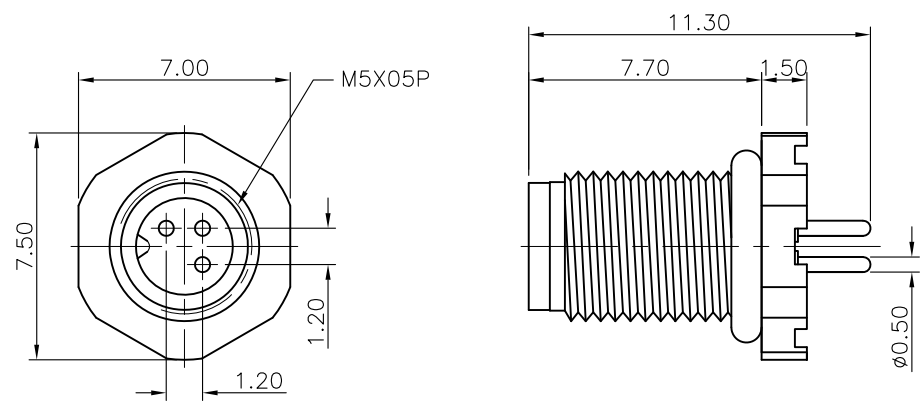
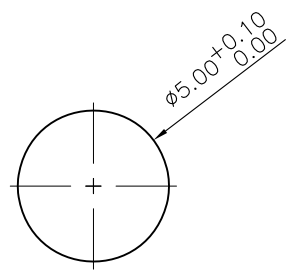


PRELIMINARY

REV.	DESCRIPTION	DRAWN	DATE
1	PRELIMINARY	TIM	2018/03/12



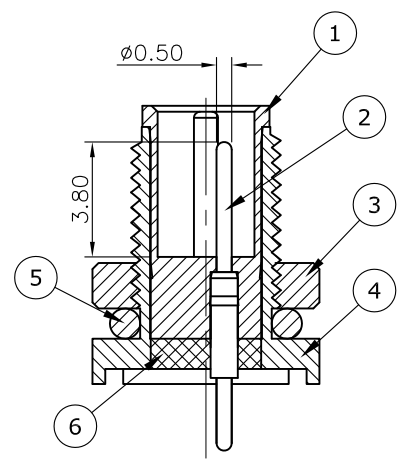
NUT




RECOMMEND PANEL CUT OUT

SPECIFICATION:

1. CURRENT RATING: 1A
2. VOLTAGE: 60V
3. WATER PROOF: IP67
4. OPERATION TEMPERATURE: -20°C TO +85°C



6	EPOXY BASE	EF400A & EF400B, BLACK
5	O-RING	NBR, BLACK
4	SHELL	BRASS, NICKEL PLATED
3	NUT	BRASS, NICKEL PLATED
2	CONTACT	BRASS, GOLD PLATED UNDER NICKEL
1	HOUSING	PBT, UL94V-0, BLACK
NO	PART NAME	DESCRIPTION

UNLESS OTHERWISE SPECIFIED TOLERANCE					
UNIT:	DECIMAL	LINEAR	ANGLES		
mm	X.	±0.50	±5°	WWW.ATTEND.COM.TW	
	X.X	±0.25	±3°		
	X.XX	±0.12	±1°		
DRAWN	Tim	2017/03/12	DRAWN NAME:		
CHECKED			M5 A-Code Receptacle, 3Pin		
APPROVED			Male Straight PCB Type, Front Fastened		
SCALE			SHEET	SIZE	PRODUCT NO.
4/1			1/1	A4	FILE NAME
			220A-03MSF_B_1		