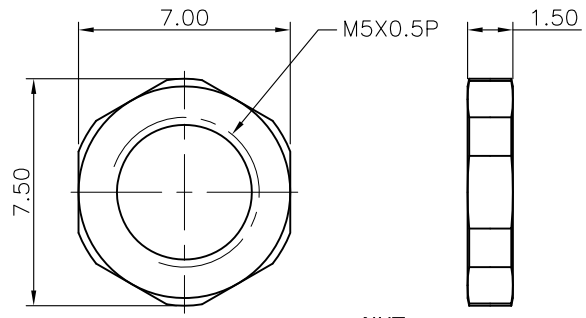
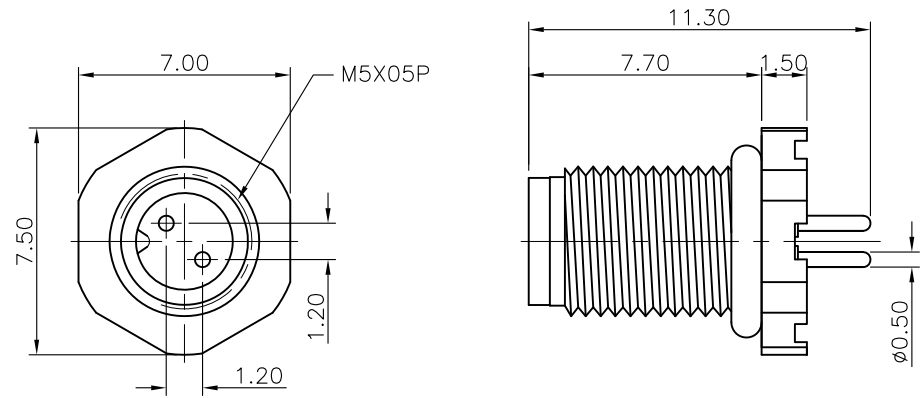
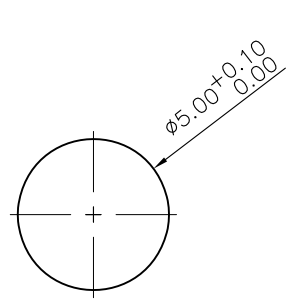


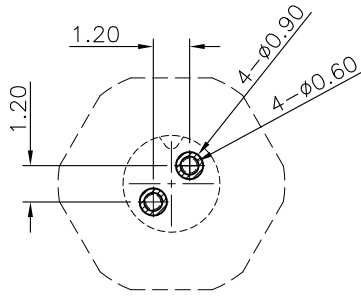
REV.	DESCRIPTION	DRAWN	DATE
1	INITIAL RELEASE	TIM	2019/10/08



NUT



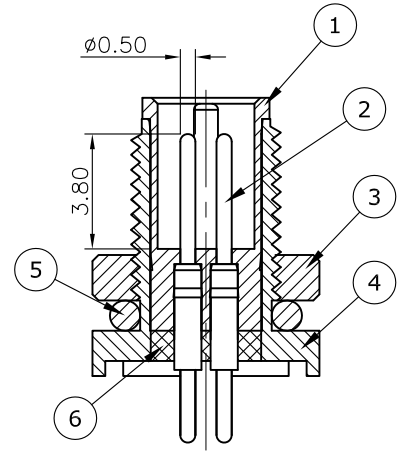
RECOMMEND PANEL CUT OUT



RECOMMEND PCB LAYOUT

SPECIFICATION:

1. CURRENT RATING: 1A
2. VOLTAGE: 60V
3. WATER PROOF: IP67
4. OPERATION TEMPERATURE: -20°C TO +85°C



NO	PART NAME	DESCRIPTION
6	EPOXY BASE	EF400A & EF400B, BLACK
5	O-RING	NBR, BLACK
4	SHELL	BRASS, NICKEL PLATED
3	NUT	BRASS, NICKEL PLATED
2	CONTACT	BRASS, GOLD PLATED UNDER NICKEL
1	HOUSING	PBT, UL94V-0, BLACK

UNLESS OTHERWISE SPECIFIED TOLERANCE			
UNIT:	DECIMAL	LINEAR	ANGLES
mm	X.	±0.50	±5°
	X.X	±0.25	±3°
	X.XX	±0.12	±1°



WWW.ATTEND.COM.TW

DRAWN	Tim	2019/10/08	DRAWN NAME:	
CHECKED	Fros	2019/10/08	M5 A-Code Receptacle, 2Pin	
APPROVED	Ken	2019/10/08	PRODUCT NO.	220A-02MSF
SCALE	4/1	SHEET	1/1	SIZE
				A4
FILE NAME			220A-02MSF_B_1	