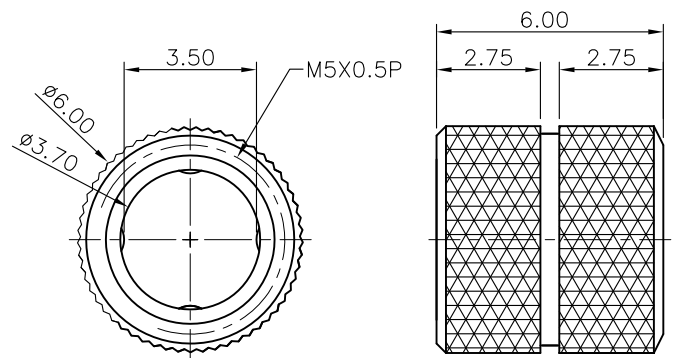
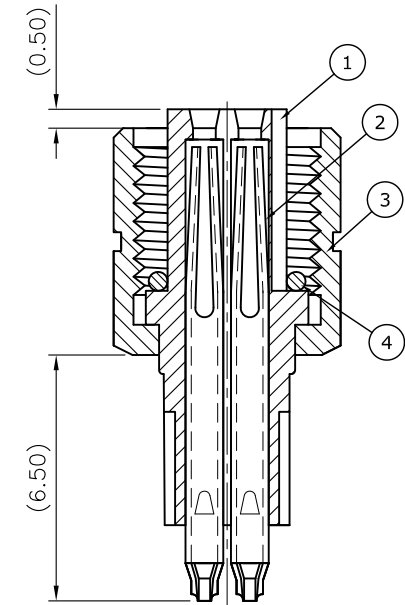
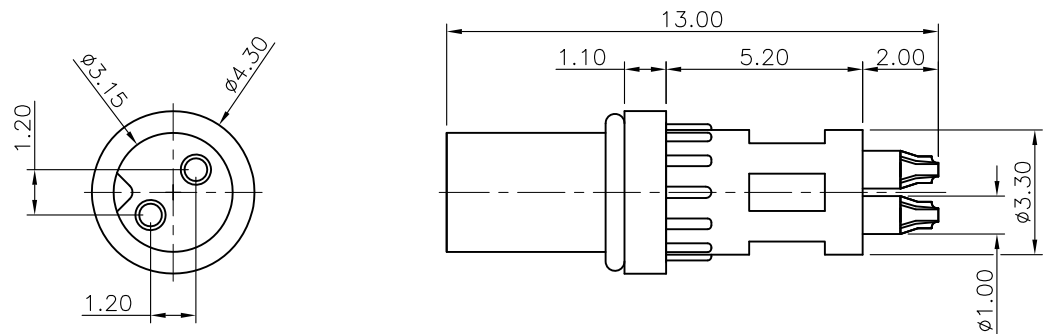


REV.	DESCRIPTION	DRAWN	DATE
1	INITIAL RELEASE	TIM	2019/10/08


**SPECIFICATION:**

1. CURRENT RATING: 1A
2. VOLTAGE: 60V
3. WATER PROOF: IP67
4. OPERATION TEMPERATURE: -20°C TO +85°C



NUT

4	O-RING	NBR, Black
3	NUT	Brass, Nickel plating
2	CONTACT	Phosphor Bronze, Gold plating over Nickel
1	HOUSING	TPU, Black
NO	PART NAME	DESCRIPTION

UNLESS OTHERWISE SPECIFIED TOLERANCE					
UNIT:	DECIMAL	LINEAR	ANGLES		
mm	X.	±0.50	±5°	WWW.ATTEND.COM.TW	
	X.X	±0.25	±3°		
	X.XX	±0.12	±1°		
DRAWN	Tim	2019/10/08	DRAWN NAME:		
CHECKED	Fros	2019/10/08	M5 A- Code Plug for Cable , 2Pin Female For Overmold with Cable		
APPROVED	Ken	2019/10/08	PRODUCT NO.	220A-02FO0	
⊗	SCALE 5/1	SHEET 1/1	SIZE A4	FILE NAME	220A-02FO0_B_1