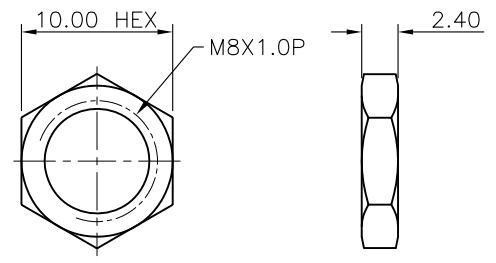
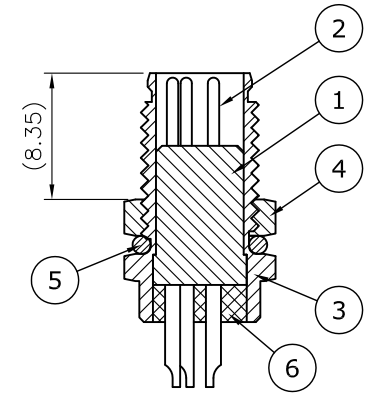
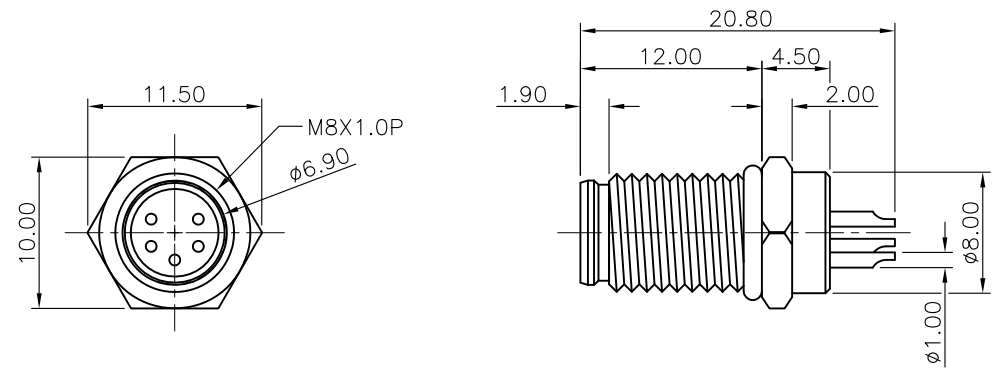


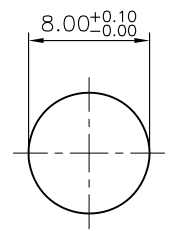
REV.	DESCRIPTION	DRAWN	DATE
1	INITIAL RELEASE	TIM	2017/05/03
2	ECR220421002	Fros	2022/04/21

**SPECIFICATION:**

1. CURRENT RATING: 1.5A
2. VOLTAGE: 30VAC/DC
3. WATER PROOF: IPX7
4. OPERATION TEMPERATURE: -40°C TO +85°C




NUT



RECOMMEND PANEL CUT OUT

6	EPOXY BASE	
5	O-RING	NBR, Black
4	NUT	Brass, NICKEL PLATED
3	SHELL	Brass, NICKEL PLATED
2	CONTACT	Brass, 10u" GOLD PLATED UNDER NICKEL
1	HOUSING	PBT, Black

NO.	PART NAME	DESCRIPTION	
UNLESS OTHERWISE SPECIFIED TOLERANCE			
UNIT:	DECIMAL	LINEAR	ANGLES
	mm	X, ±0.50	±5°
		X.X ±0.25	±3°
		X.XX ±0.12	±1°
 WWW.ATTEND.COM.TW			
DRAWN	Tim	2017/05/03	
CHECKED	Fros	2017/05/03	
APPROVED	Ken	2017/05/03	
DRAWN NAME:		M8 A-Code Receptacle, 5Pin Male Solder Type Front Fastened	
PRODUCT NO.		219A-05MAF	
SCALE	SHEET	SIZE	
2/1	1/1	A4	
FILE NAME	219A-05MAF_B_2		