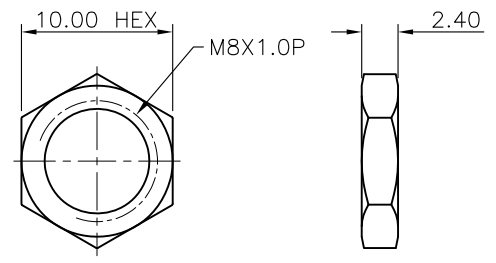
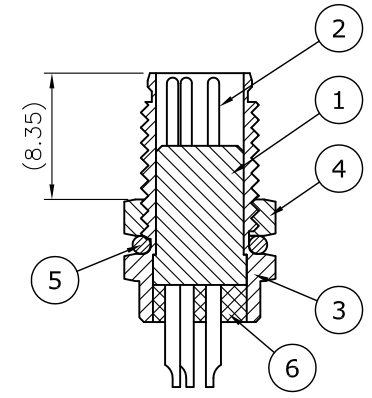
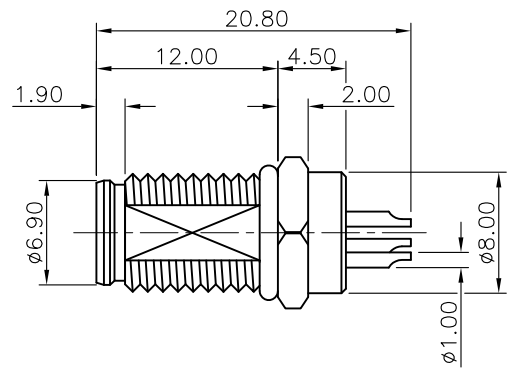
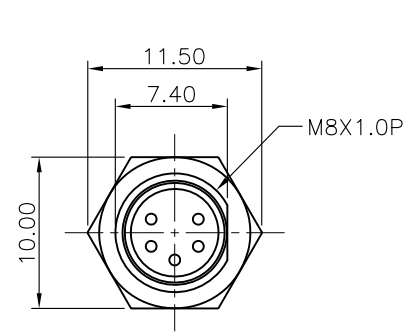


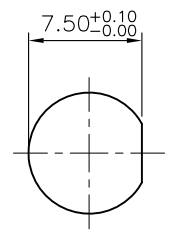
REV.	DESCRIPTION	DRAWN	DATE
1	INITIAL RELEASE	TIM	2018/11/02
2	ECR220421002	Fros	2022/04/21

**SPECIFICATION:**

1. CURRENT RATING: 1.5A
2. VOLTAGE: 30VAC/DC
3. WATER PROOF: IPX7
4. OPERATION TEMPERATURE: -40°C TO +85°C



NUT



RECOMMEND PANEL CUT OUT

6	EPOXY BASE	
5	O-RING	NBR, BLACK
4	NUT	BRASS, NICKEL PLATED
3	SHELL	BRASS, NICKEL PLATED
2	CONTACT	BRASS, GOLD PLATED UNDER NICKEL
1	HOUSING	PBT, BLACK

NO.	PART NAME	DESCRIPTION					
UNLESS OTHERWISE SPECIFIED TOLERANCE							
UNIT:	DECIMAL	LINEAR	ANGLES				
mm	X.	±0.50	±5°				
	X.X	±0.25	±3°				
	X.XX	±0.12	±1°				
WWW.ATTEND.COM.TW							
DRAWN	Tim	2018/11/02	DRAWN NAME:				
CHECKED	Fros	2018/11/02	M8 A-Code Receptacle, 5Pin Male Solder Type Front Fastened, With Edge Cut				
APPROVED	Ken	2018/11/02	PRODUCT NO. 219A-05MAF-01				
SCALE	2/1	SHEET	1/1	SIZE	A4	FILE NAME	219A-05MAF-01_B_2

