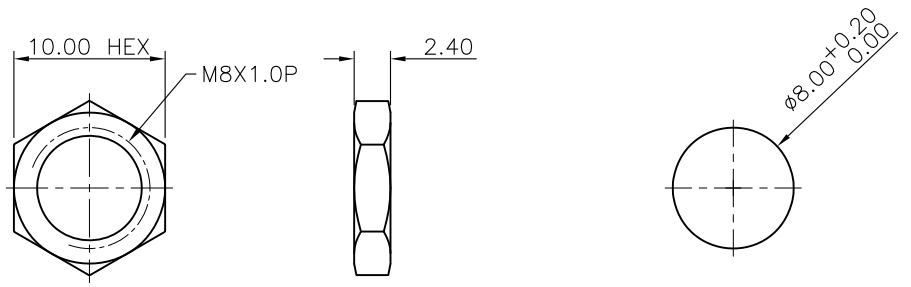
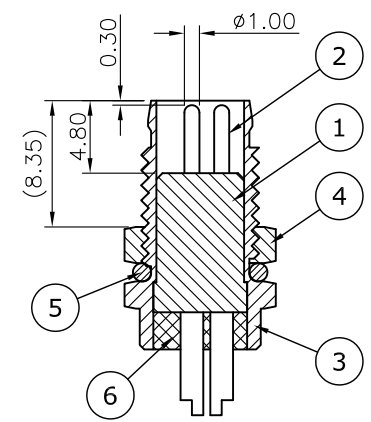
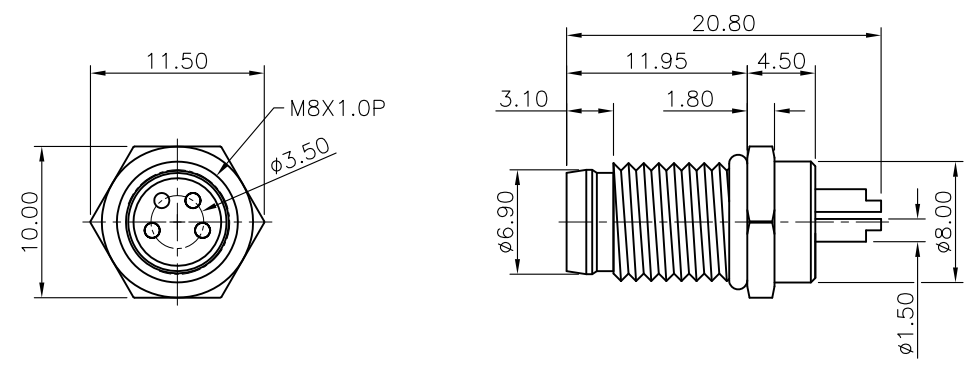


| REV. | DESCRIPTION | DRAWN | DATE |
|------|-----------------|-------|------------|
| 1 | INITIAL RELEASE | TIM | 2016/08/22 |
| 2 | ECR220421002 | Fros | 2022/04/21 |

SPECIFICATION:

1. CURRENT RATING: 3A
2. VOLTAGE: 50VAC/60VDC
3. WATER PROOF: IPX7
4. OPERATION TEMPERATURE: -40°C TO +85°C



NUT

RECOMMEND PANEL CUT OUT

| | | |
|---|------------|--------------------------------------|
| 6 | EPOXY BASE | |
| 5 | O-RING | NBR, Black |
| 4 | NUT | Brass, NICKEL PLATED |
| 3 | SHELL | Brass, NICKEL PLATED |
| 2 | CONTACT | Brass, 10u" GOLD PLATED UNDER NICKEL |
| 1 | HOUSING | PBT, Black |

| NO. | | PART NAME | DESCRIPTION |
|--------------------------------------|------------|--|----------------|
| UNLESS OTHERWISE SPECIFIED TOLERANCE | | | |
| UNIT: | DECIMAL | LINEAR | ANGLES |
| | mm | X, ±0.50 | ±5° |
| | | X.X ±0.25 | ±3° |
| | X.XX ±0.12 | ±1° | |
| DRAWN | | Tim | 2016/08/22 |
| CHECKED | | Ron | 2016/08/22 |
| APPROVED | | Ken | 2016/08/22 |
| DRAWN NAME: | | M8 A-Code Receptacle, 4Pin Male Solder Type Front Fastened | |
| PRODUCT NO. | | 219A-04MAF | |
| SCALE | SHEET | SIZE | FILE NAME |
| 2/1 | 1/1 | A4 | 219A-04MAF_B_2 |



WWW.ATTEND.COM.TW