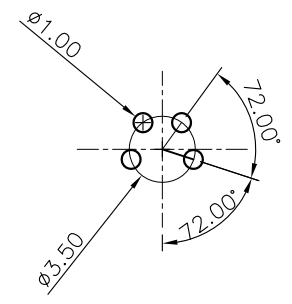
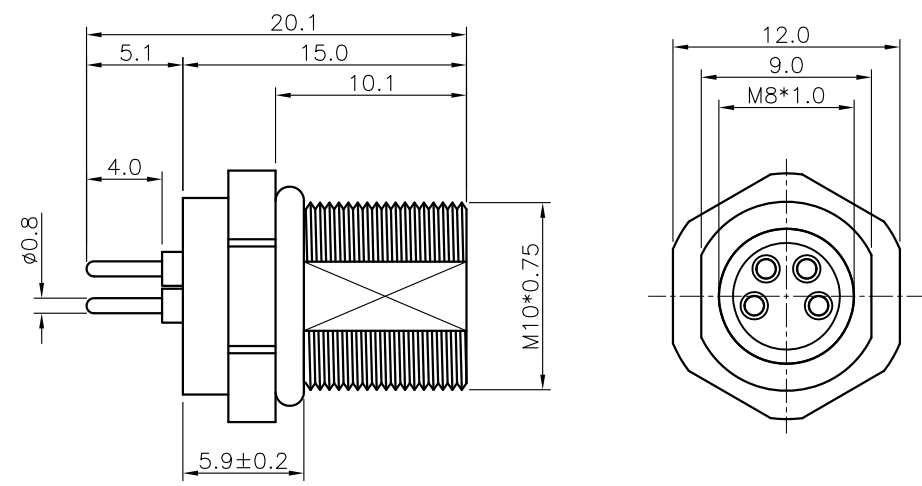


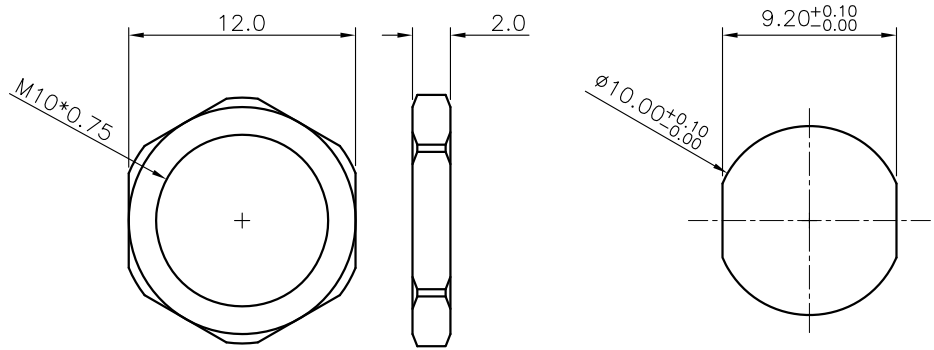
REV.	DESCRIPTION	DRAWN	DATE
1	INITIAL RELEASE	FROS	2020/02/10
2	ECR220421002	Fros	2022/04/21

SPECIFICATION:

1. CURRENT RATING: 3A
2. VOLTAGE: 50VAC/60VDC
3. WATER PROOF: IPX7
4. OPERATION TEMPERATURE: -40°C TO +85°C





Recommended PCB layout



Nut

Panel cut out

6	EPOXY BASE	
5	O-RING	EPDM, BLACK
4	SHELL	BRASS, NICKEL PLATED
3	NUT	BRASS, NICKEL PLATED
2	CONTACT	BRASS, G/F UNDER NICKEL
1	HOUSING	PA66, UL94V-0, BLACK
NO	PART NAME	DESCRIPTION

UNLESS OTHERWISE SPECIFIED TOLERANCE					
UNIT:	DECIMAL	LINEAR	ANGLES		
mm	X.	±0.50	±5°	www.attend.com.tw	
	X.X	±0.25	±3°		
	X.XX	±0.12	±1°		
DRAWN	Fros	2020/02/10	DRAWN NAME:		
CHECKED	Tim	2020/02/10	M8 A-Code Receptacle, 4Pin Female		
APPROVED	Ken	2020/02/10	PRODUCT NO.	219A-04FSF-01	
	SCALE	SHEET	SIZE	FILE NAME	219A-04FSF-01_B_2
	2.5/1	1/1	A4		