

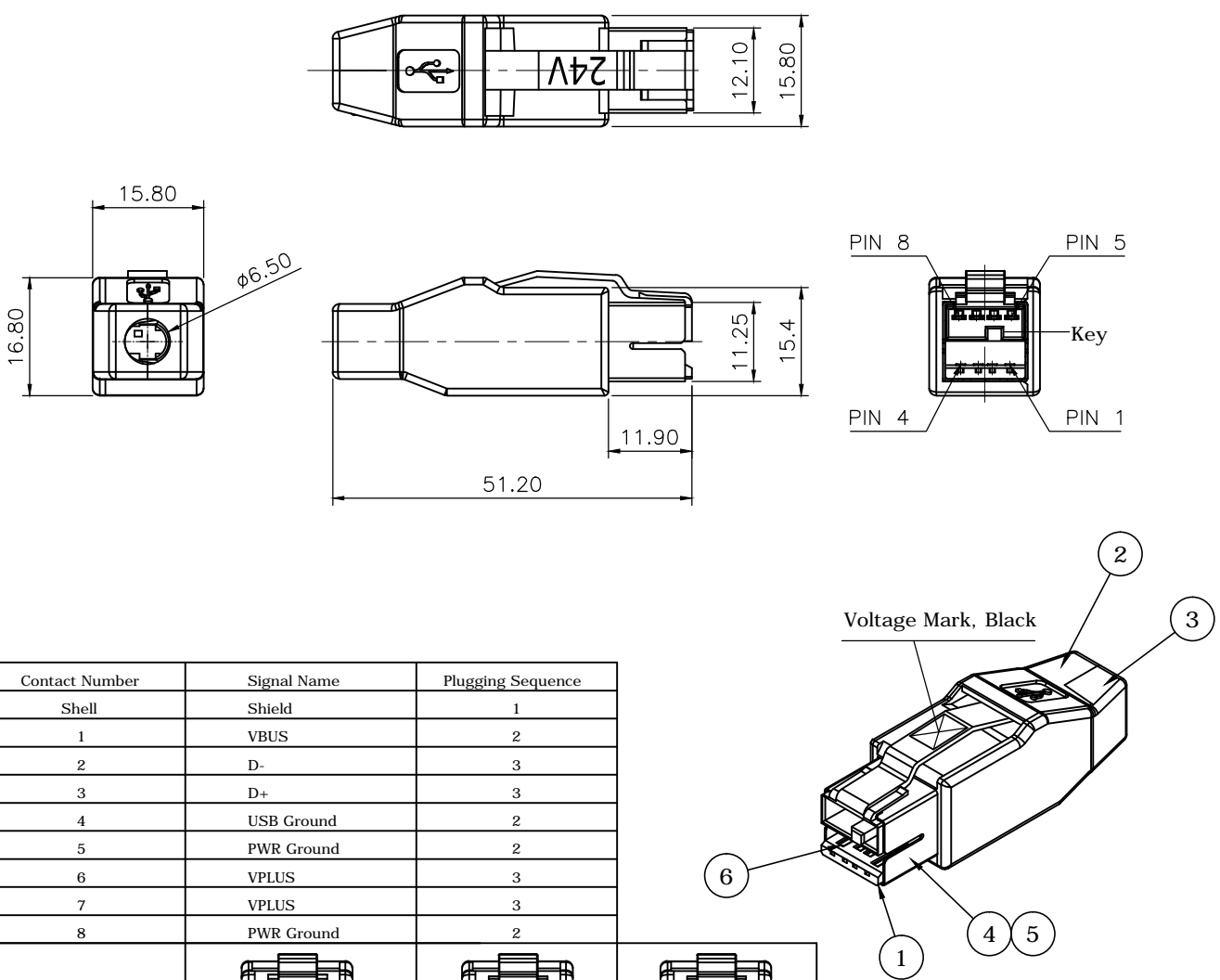
REV.	DESCRIPTION	DRAWN	DATE
1	INITIAL RELEASE	FROS	2015/04/16
2	CORRECTED	FROS	2015/11/11

SPECIFICATION:

1. ELECTRICAL
 - 1.1 Current Rating: 1.5A (USB Section)
3.0A (Powered Section)
 - 1.2 Voltage Rating:
USB: 5.25V DC
Powered: 24V
 - 1.3 Contact Resistance: 40mΩ Max.
 - 1.4 Insulation Resistance: 1000MΩ at 500V DC
 - 1.5 Dielectric Withstanding Voltage: 750V AC
2. MECHANICAL
 - 2.1 Durability: 1,500 Cycle
 - 2.2 Mating Force: 67N max.
 - 2.3 UN-Mating Force: 10N max.
3. ENVIRONMENTAL
 - 3.1 Operating temperature range: -20°C~+85°C
 - 3.2 Storage temperature range: -20°C~+85°C

4. SOLDER ABILITY

- 4.1 Recommend Temperature: 245°C



Contact Number	Signal Name	Plugging Sequence
Shell	Shield	1
1	VBUS	2
2	D-	3
3	D+	3
4	USB Ground	2
5	PWR Ground	2
6	VPLUS	3
7	VPLUS	3
8	PWR Ground	2

Insulator Key Position	Key 3	Key 1	Key 2
Voltage Rate	5V	12V	24V
Insulator Color	Black color	Green color	Red color

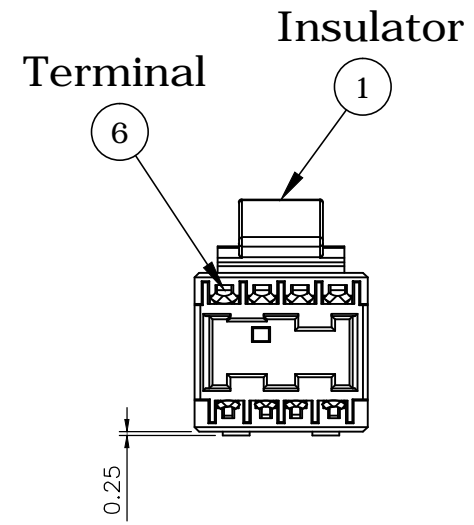
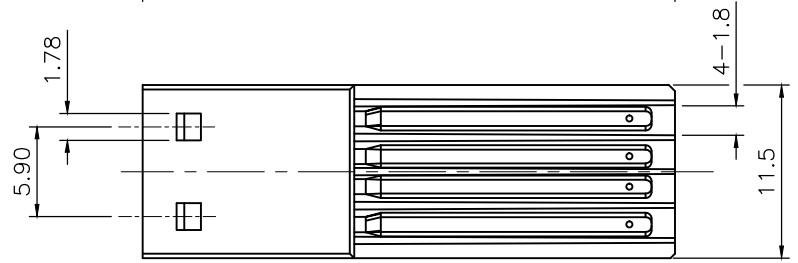
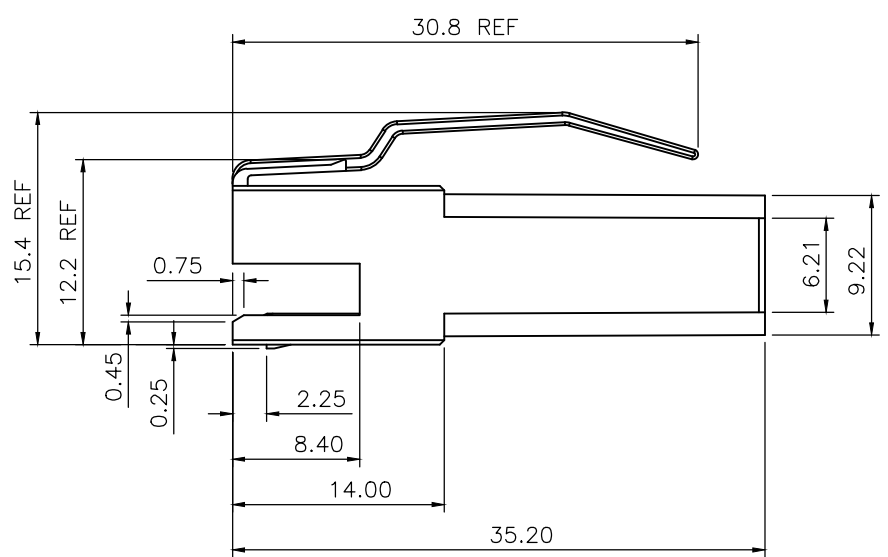
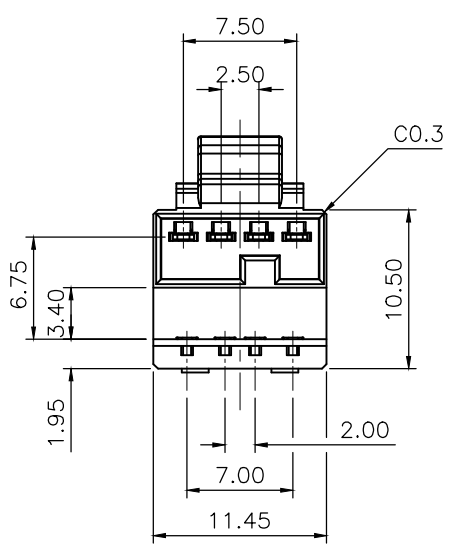
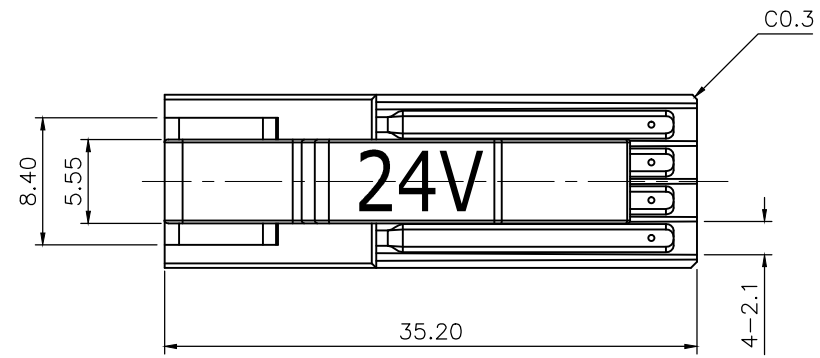
6	TERMINAL	PHOSPHOR BRONZE, GOLD 10u" MIN ON CONTACT AREA SHINE TIN 80u" MIN ON SOLDER TAILS UNDER-PLATED NICKEL OVER ALL 50u" MIN.
5	SHORT SHELL	PHOSPHOR BRONZE, TIN OVER ALL
4	LONG SHELL	PHOSPHOR BRONZE, TIN OVER ALL
3	BOTTOM COVER	ABS, BEIGE COVER
2	TOP COVER	ABS, BEIGE COVER
1	INSULATOR	NYLON 66, UL94V-0 Δ 2
NO.	PART NAME	DESCRIPTION


UNLESS OTHERWISE SPECIFIED TOLERANCE

UNIT:	DECIMAL	LINEAR	ANGLES
mm	X.X	±0.50	±5°
	X.XX	±0.25	±3°
	X.XXX	±0.12	±1°

DRAWN	Fros	2015/04/16	DRAWN NAME:	Fros	
CHECKED	Zola	2015/04/16	PRODUCT NO.	218A-24D01	
APPROVED	Albert	2015/04/16	FILE NAME	218A-24D01_B_2	
SCALE	1/1	SHEET	1/5	SIZE	A4

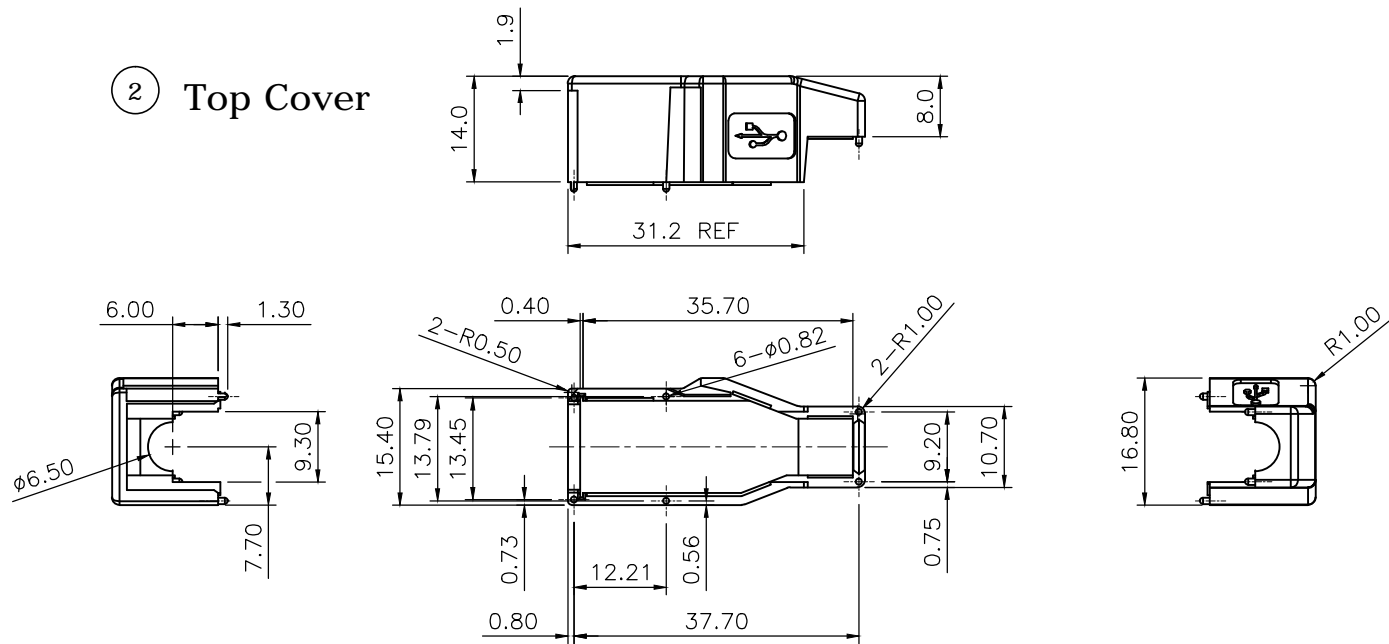
REV.	DESCRIPTION	DRAWN	DATE
	SEE SHEET ONE		



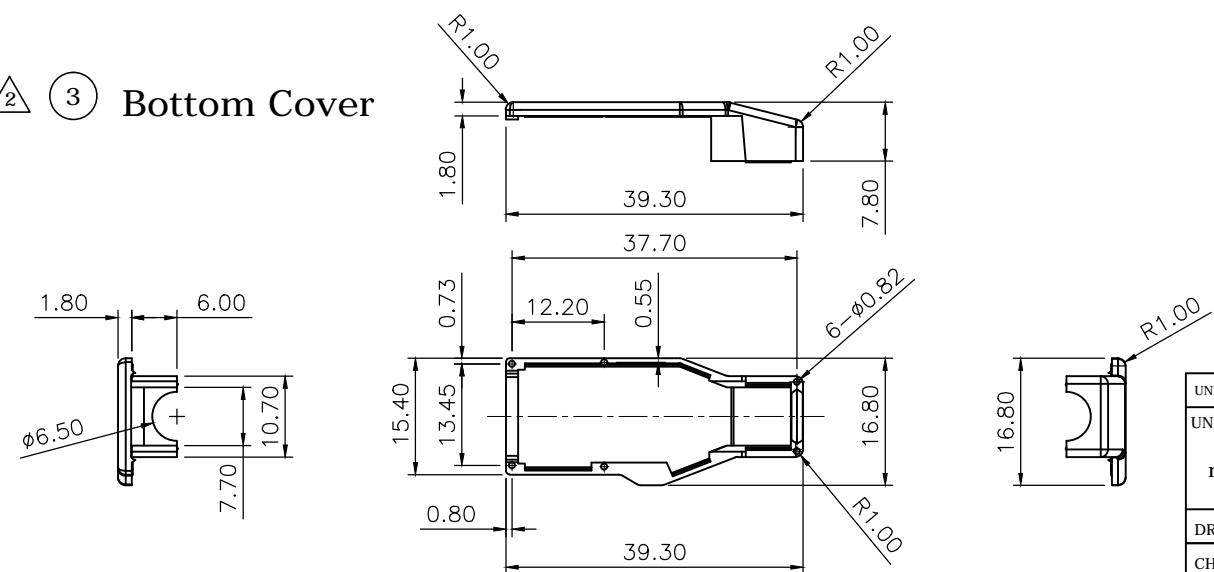
UNLESS OTHERWISE SPECIFIED TOLERANCE					
UNIT:	DECIMAL	LINEAR	ANGLES		
mm	X.	±0.50	±5°	WWW.ATTEND.COM.TW	
	X.X	±0.25	±3°		
	X.XX	±0.12	±1°		
DRAWN	Fros	2015/04/16	DRAWN NAME:		
CHECKED	Zola	2015/04/16	Powered USB Plug		
APPROVED	Albert	2015/04/16	8 Pin, OD6.5, 10u" Gold, 24V (Red)		
SCALE		SHEET	SIZE	PRODUCT NO.	218A-24D01
2/1		2/5	A4	FILE NAME	218A-24D01_B_2


REV.	DESCRIPTION	DRAWN	DATE
	SEE SHEET ONE		

② Top Cover

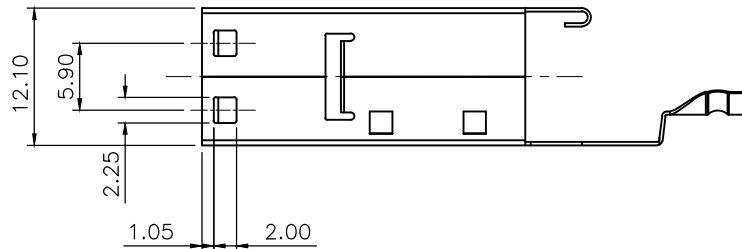
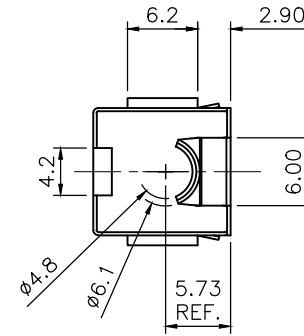
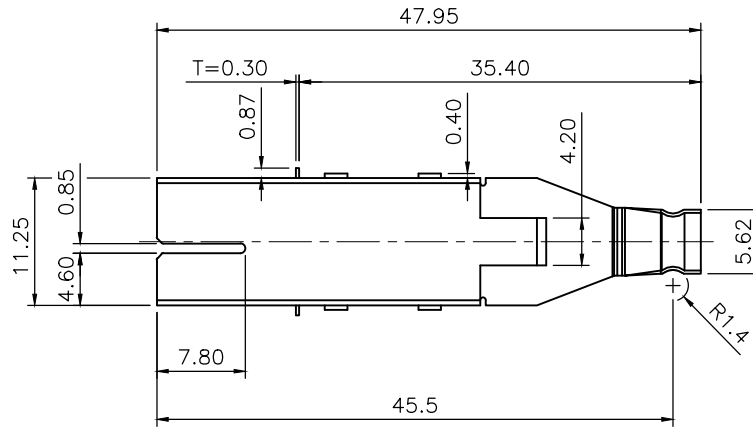
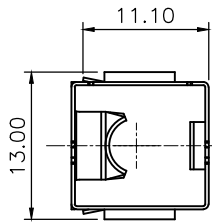
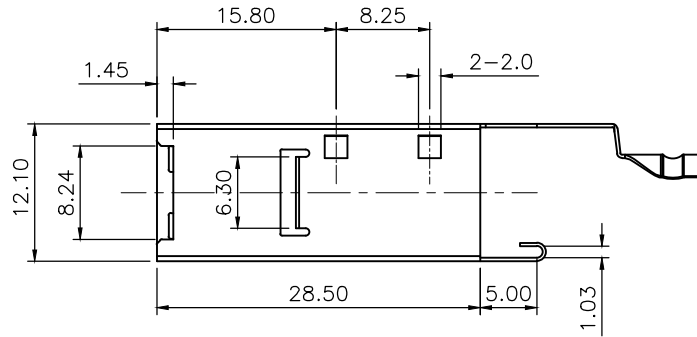


③ Bottom Cover




UNLESS OTHERWISE SPECIFIED TOLERANCE				 WWW.ATTEND.COM.TW
UNIT:	DECIMAL	LINEAR	ANGLES	
mm	X.	±0.50	±5°	
	X.X	±0.25	±3°	
	X.XX	±0.12	±1°	
DRAWN	Fros	2015/04/16	DRAWN NAME: Powered USB Plug	
CHECKED	Zola	2015/04/16	8 Pin, OD6.5, 10u" Gold, 24V (Red)	
APPROVED	Albert	2015/04/16	PRODUCT NO.	218A-24D01
SCALE	2/1	SHEET 3/5	SIZE A4	FILE NAME 218A-24D01_B_2

④ Long Shell

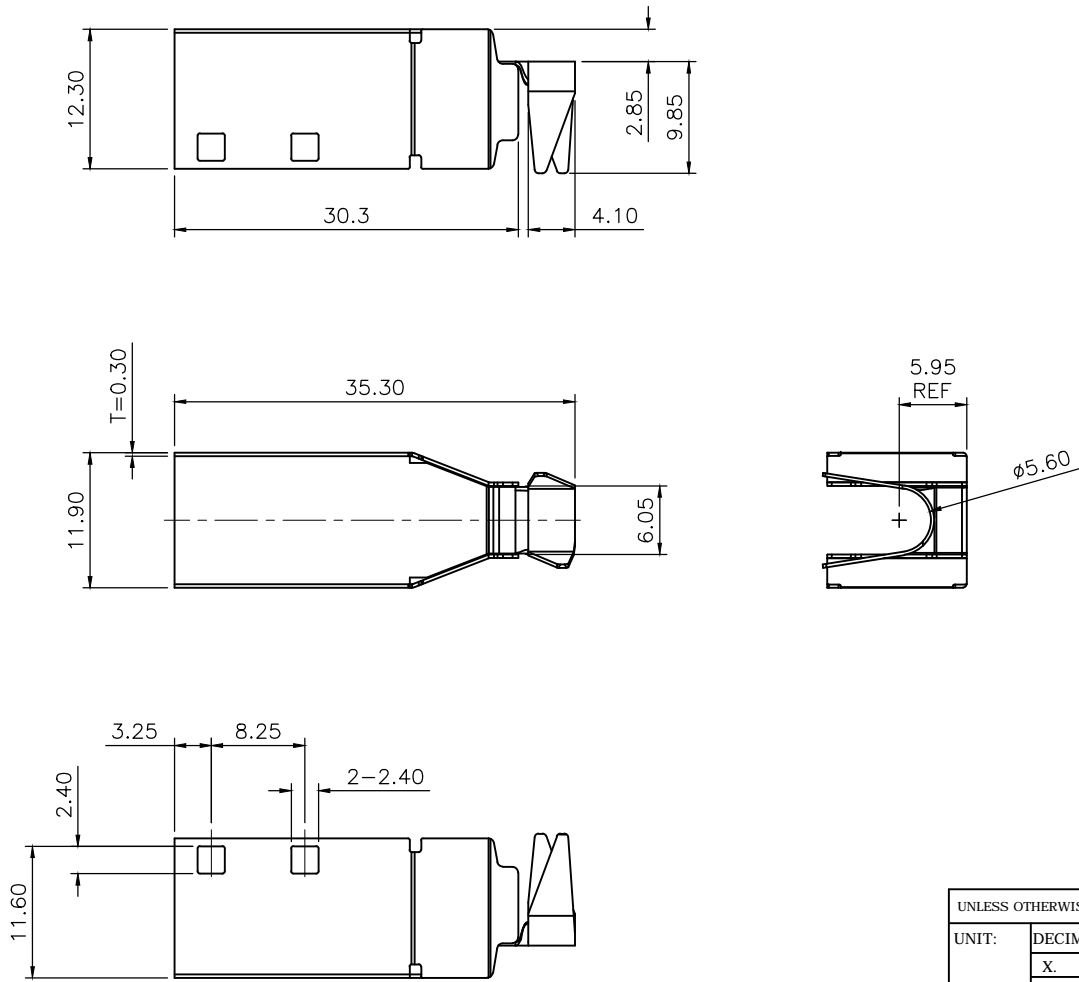



REV.	DESCRIPTION	DRAWN	DATE
	SEE SHEET ONE		

UNLESS OTHERWISE SPECIFIED TOLERANCE					
UNIT:	DECIMAL	LINEAR	ANGLES		
mm	X.	±0.50	±5°	WWW.ATTEND.COM.TW	
	X.X	±0.25	±3°		
	X.XX	±0.12	±1°		
DRAWN	Fros	2015/04/16	DRAWN NAME:		
CHECKED	Zola	2015/04/16	Powered USB Plug		
APPROVED	Albert	2015/04/16	8 Pin, OD6.5, 10u" Gold, 24V (Red)		
SCALE	1.6/1	SHEET	4/5	SIZE	PRODUCT NO. 218A-24D01
				FILE NAME	218A-24D01_B_2

REV.	DESCRIPTION	DRAWN	DATE
	SEE SHEET ONE		

⑤ Shot Shell



UNLESS OTHERWISE SPECIFIED TOLERANCE					
UNIT:	DECIMAL	LINEAR	ANGLES		
mm	X.	±0.50	±5°	WWW.ATTEND.COM.TW	
	X.X	±0.25	±3°		
	X.XX	±0.12	±1°		
DRAWN	Fros	2015/04/16	DRAWN NAME:		
CHECKED	Zola	2015/04/16	Powered USB Plug		
APPROVED	Albert	2015/04/16	8 Pin, OD6.5, 10u" Gold, 24V (Red)		
SCALE	1.6/1	SHEET	5/5	SIZE	A4
PRODUCT NO.		218A-24D01		FILE NAME	218A-24D01_B_2