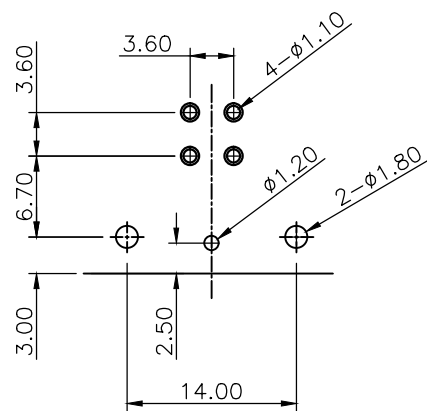
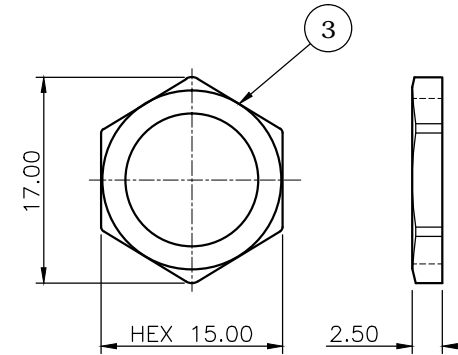
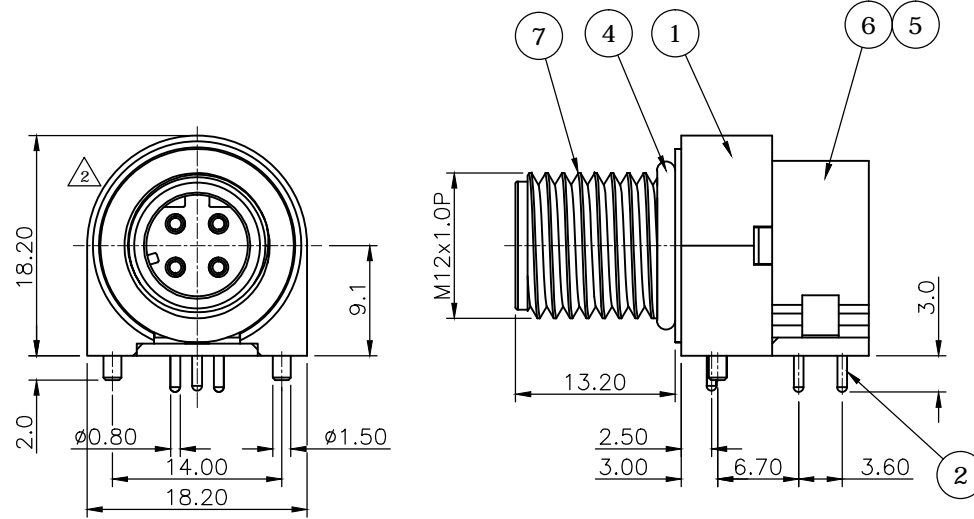


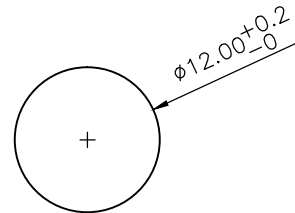
REV.	DESCRIPTION	DRAWN	DATE
1	INITIAL RELEASE	TIM	2019/12/06
2	ECR230322001	TIM	2023/03/22

**SPECIFICATION:**

1. Current Rating: 4A
2. Voltage Rating: 250V
3. Water proof: IPX7
4. Operating temperature range: -40°C~+85°C



**RECOMMENDED LAYOUT (TOP VIEW)**  
GENERAL TOLERANCE:  $\pm 0.05$



**PANEL CUT OUT**

7	SHELL	Brass, Nickel plating
6	BASE	PBT, UL94V-0, Black
5	BACK HOUSING	PBT, UL94V-0, Black
4	O-RING	EPDM, Black
3	NUT	Brass, Nickel plating
2	CONTACT	Brass, Gold plating over Nickel
1	COVER	PBT, UL94V-0, Black

NO.		PART NAME		DESCRIPTION	
UNLESS OTHERWISE SPECIFIED TOLERANCE					
UNIT:	DECIMAL	LINEAR	ANGLES		
	mm	X.	$\pm 0.50$	$\pm 5^\circ$	
		X.X	$\pm 0.25$	$\pm 3^\circ$	
		X.XX	$\pm 0.12$	$\pm 1^\circ$	
WWW.ATTEND.COM.TW					
DRAWN	Tim	2019/12/06	DRAWN NAME:		
CHECKED	Fros	2019/12/06	M12 D- Code Receptacle, 4Pin Male R/A DIP Front Fastened		
APPROVED	Ken	2019/12/06	PRODUCT NO.	216D-04MRF	
SCALE	1.6	SHEET	1/1	SIZE	A4
FILE NAME		216D-04MRF_B_2			

