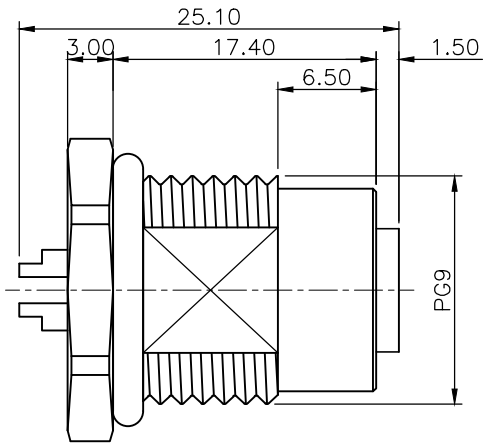


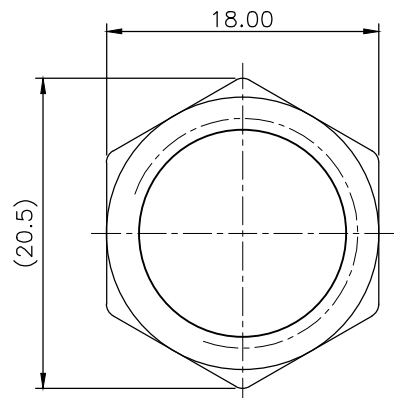
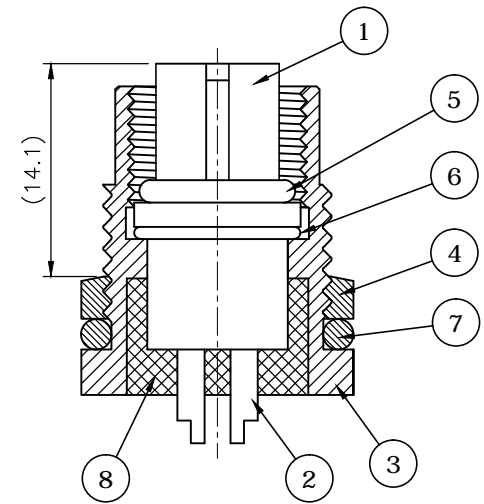
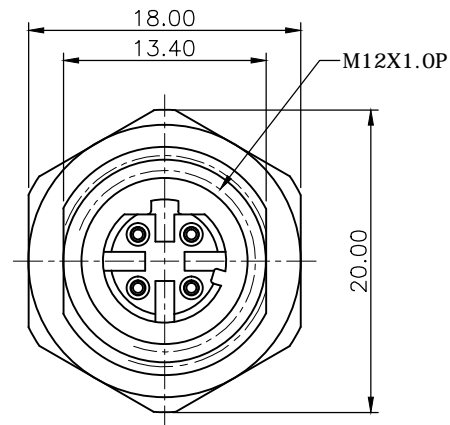
REV.	DESCRIPTION	DRAWN	DATE
1	INITIAL RELEASE	TIM	2016/09/19
2	ECR220421001	TIM	2022/04/21

SPECIFICATION:

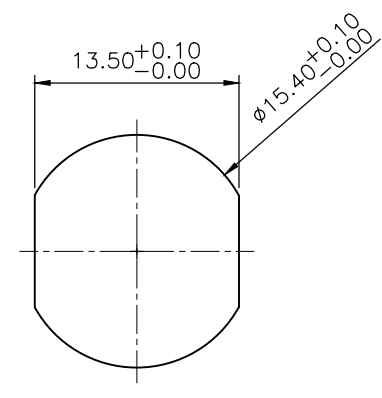
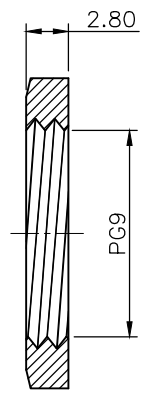
Current Rating: 4A
Voltage Rating: 250V
Waterproof: IPX7
Operation Temperature: -40°C to 85°C



BODY



NUT



RECOMMEND PANEL CUT-OUT

8	Epoxy	
7	ORING	EPDM
6	ORING	SILICONE
5	ORING	EPDM
4	NUT	Brass, Nickel plating
3	SHELL	Brass, Nickel plating
2	CONTACT	Brass, 10u" Gold plating under Nickel
1	HOUSING	PBT, UL94V-0, Black
NO.	PART NAME	DESCRIPTION

UNLESS OTHERWISE SPECIFIED TOLERANCE			
UNIT:	DECIMAL	LINEAR	ANGLES
mm	X.	±0.50	±5°
	X.X	±0.25	±3°
	X.XX	±0.12	±1°



WWW.ATTEND.COM.TW

DRAWN	Tim	2016/09/19	DRAWN NAME:	M12 D-Code Receptacle, 4 Pin Female Solder Type Front Fastened	
CHECKED	Fros	2016/09/19	PRODUCT NO.	216D-04FAF	
APPROVED	Ron	2016/09/19	FILE NAME	216D-04FAF_B_2	
SCALE	2/1	SHEET	1/1	SIZE	A4