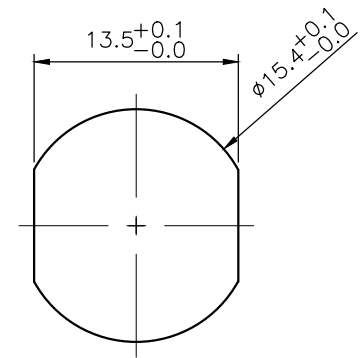
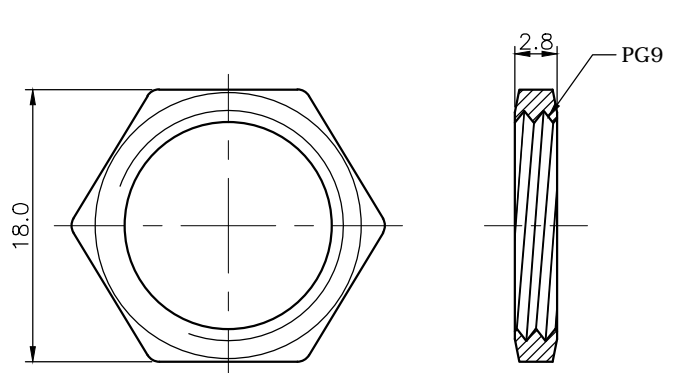
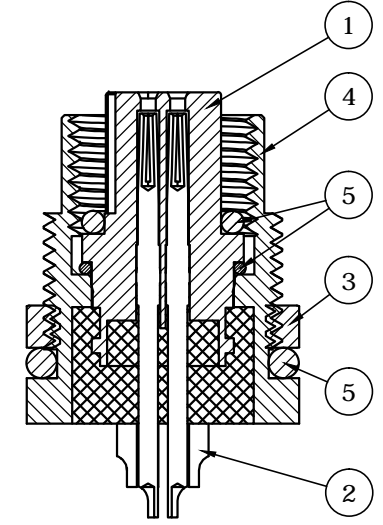
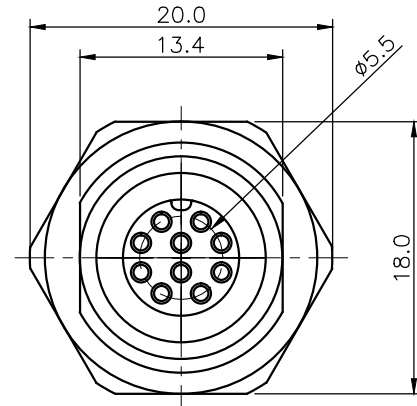
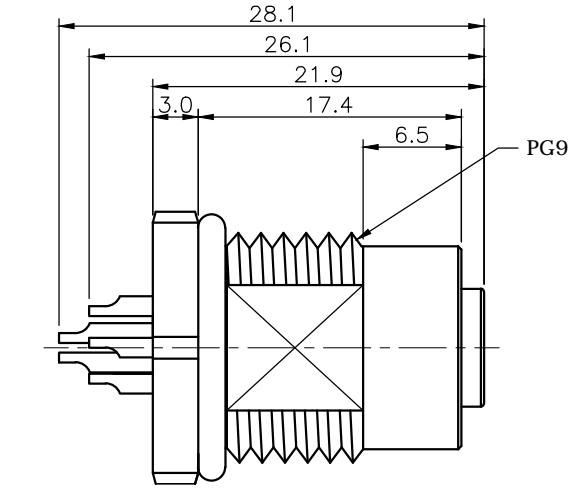


REV.	DESCRIPTION	DRAWN	DATE
1	INITIAL RELEASE	TIM	2017/08/17
2	ECR220421001	TIM	2022/04/21

**SPECIFICATION:**

- CURRENT RATING: 1.5A
- VOLTAGE: 30V
- WATER PROOF: IPX7
- OPERATION TEMPERATURE: -40°C TO +85°C



**NUT**

**PANEL CUT OUT**

5	O-RING	EPDM
4	SHELL	BRASS, NICKEL PLATED
3	NUT	BRASS, NICKEL PLATED
2	CONTACT	BRASS, 10u" GOLD PLATED UNDER NICKEL
1	HOUSING	PBT, UL94V-0, BLACK
NO	PART NAME	DESCRIPTION

UNLESS OTHERWISE SPECIFIED TOLERANCE

UNIT:	DECIMAL	LINEAR	ANGLES
mm	X.	±0.50	±5°
	X.X	±0.25	±3°
	X.XX	±0.12	±1°



WWW.ATTEND.COM.TW

DRAWN	Tim	2017/08/17	DRAWN NAME:	M12 A- Code Receptacle, 10Pin	
CHECKED	Fros	2017/08/17		Female Straight Solder Type Front Fastened	
APPROVED	Ken	2017/08/17	PRODUCT NO.	216A-10FAF	
SCALE	2/1	SHEET	1/1	SIZE	A4
FILE NAME				216A-10FAF_B_2	