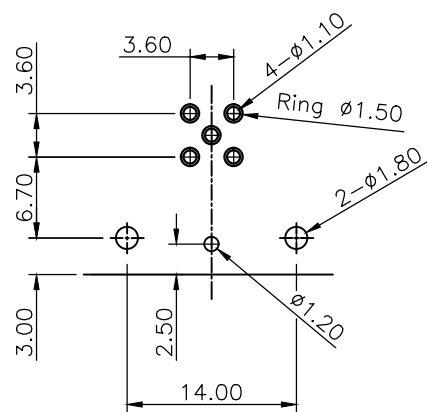
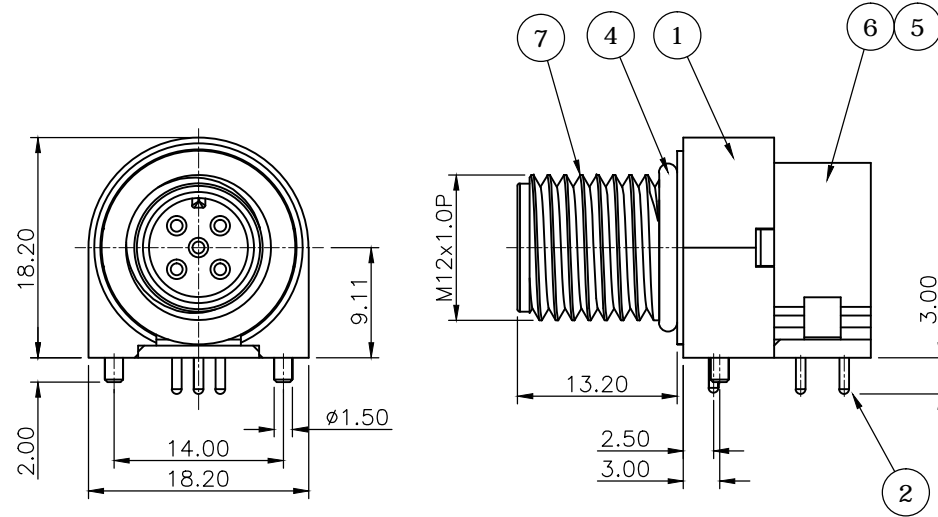


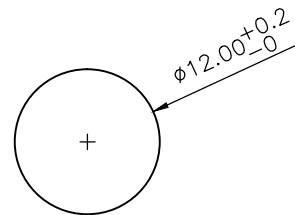
REV.	DESCRIPTION	DRAWN	DATE
1	INITIAL RELEASE	FROS	2017/06/19

SPECIFICATION:

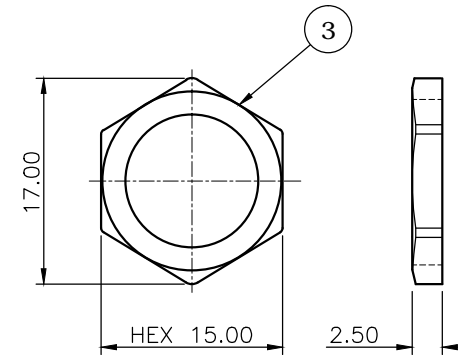
1. Current Rating: 4A
2. Voltage Rating: 60V
3. Water proof: IPX7
4. Operating temperature range: -40°C~+85°C




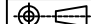
RECOMMENDED LAYOUT (TOP VIEW)
GENERAL TOLERANCE: ± 0.05



PANEL CUT OUT



NO.	PART NAME	DESCRIPTION
7	SHELL	Brass, Nickel plating
6	BASE	PBT, UL94V-0, Black
5	BACK HOUSING	PBT, UL94V-0, Black
4	O-RING	EPDM, Black
3	NUT	Brass, Nickel plating
2	CONTACT	Brass, Gold plating over Nickel
1	COVER	PBT, UL94V-0, Black

UNLESS OTHERWISE SPECIFIED TOLERANCE				 WWW.ATTEND.COM.TW	
UNIT:	DECIMAL	LINEAR	ANGLES		
mm	X.	± 0.50	$\pm 5^\circ$		
	X.X	± 0.25	$\pm 3^\circ$		
	X.XX	± 0.12	$\pm 1^\circ$		
DRAWN	Fros	2017/06/19	DRAWN NAME:		
CHECKED	Tim	2017/06/19	M12 A- Code Receptacle, 5 Pin Male R/A DIP Front Fastened		
APPROVED	Ken	2017/06/19	PRODUCT NO.	216A-05MRF	
	SCALE 1:6	SHEET 1/1	SIZE A4	FILE NAME	216A-05MRF_B_1