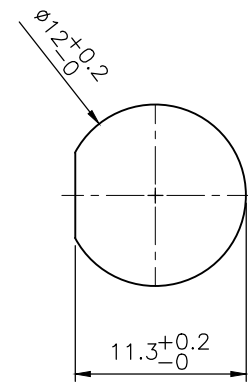
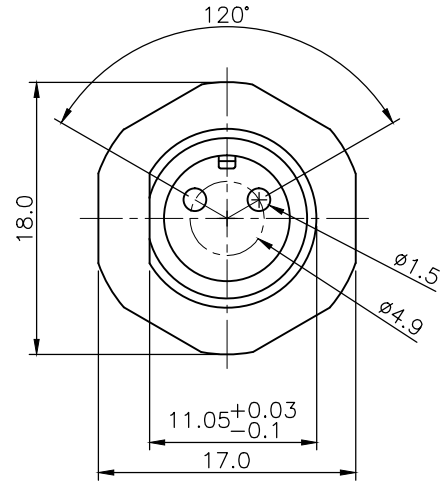
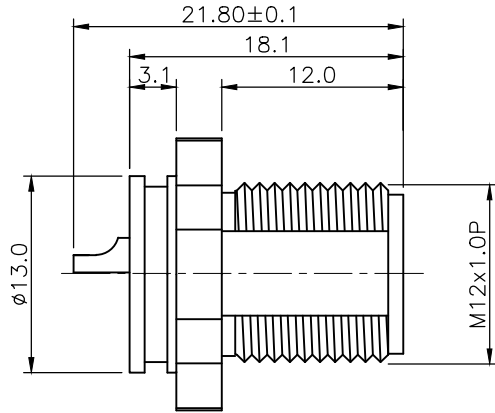


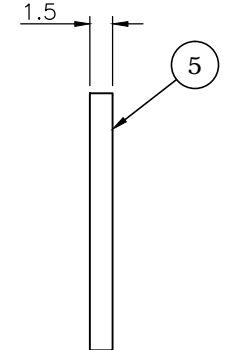
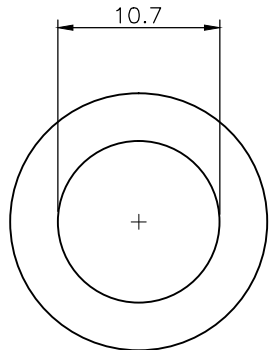
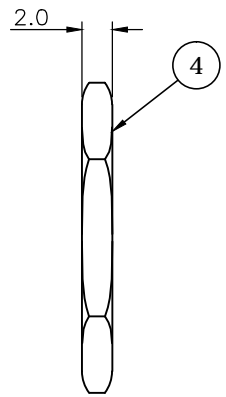
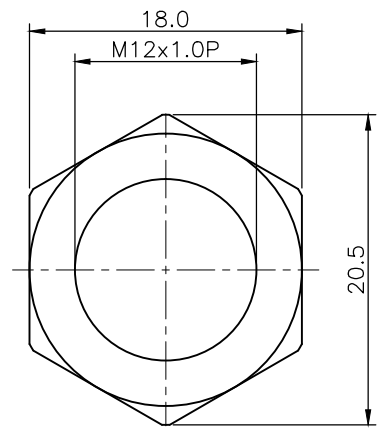
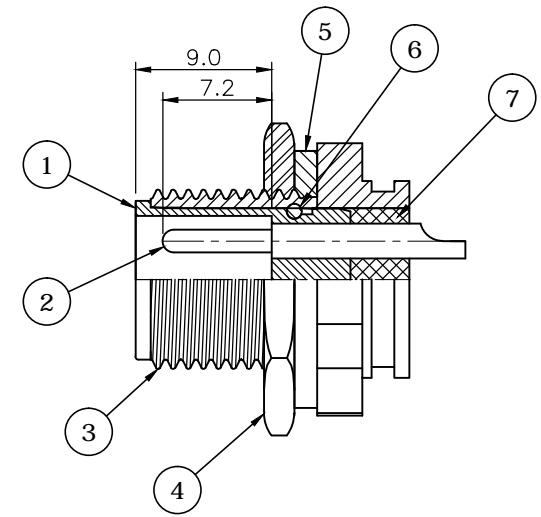
REV.	DESCRIPTION	DRAWN	DATE
1	INITIAL RELEASE	FROS	2016/06/21
2	ECR220421001	TIM	2022/04/21

SPECIFICATION:

1. Current Rating: 4A
2. Voltage Rating: 250V
3. Waterproof: IPX7
4. Operating temperature range: -40°C~+85°C



PANEL CUT-OUT



7	EPOXY BASE	EF400A&EF400B, Black
6	O-RING A	SILICONE, Brown
5	O-RING B	EPDM, Black
4	NUT	Brass, Nickel plating
3	SHELL	Brass, Nickel plating
2	CONTACT	Brass, Gold plating over Nickel
1	HOUSING	PBT, UL94V-0, Black

NO.	PART NAME	DESCRIPTION					
UNLESS OTHERWISE SPECIFIED TOLERANCE							
UNIT:	DECIMAL	LINEAR	ANGLES				
mm	X.	±0.50	±5°				
	X.X	±0.25	±3°				
	X.XX	±0.12	±1°				
DRAWN	Fros	2016/06/21	DRAWN NAME:				
CHECKED	Ron	2016/06/21	M12 A-Code Receptacle,				
APPROVED	Ken	2016/06/21	2Pin Male Solder Type Front Fastened				
SCALE	2/1	SHEET	1/1	SIZE	A4	PRODUCT NO.	216A-02MAF
FILE NAME		216A-02MAF_B_2					



WWW.ATTEND.COM.TW