

REV.	DESCRIPTION	DRAWN	DATE
1	INITIAL RELEASE	FROS	2013/06/13
2	ECR230412001	FROS	2023/04/12
3	ECR240319001	TIM	2024/03/19

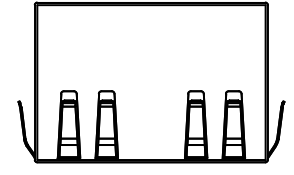
SPECIFICATION:

1. ELECTRICAL
 - 1.1 Current Rating: 1.5A per pin
 - 1.2 Voltage Rating: 125V DC
 - 1.3 Contact Resistance: 50mΩ
 - 1.4 Insulation Resistance: 1000MΩ
 - 1.5 Dielectric Withstanding Voltage: 1000VAC
2. MECHANICAL
 - 2.1 Durability: 750 Cycle
3. ENVIRONMENTAL
 - 3.1 Operating temperature range: -40°C~+85°C
 - 3.2 Storage temperature range: -40°C~+85°C

HOW TO ORDER:

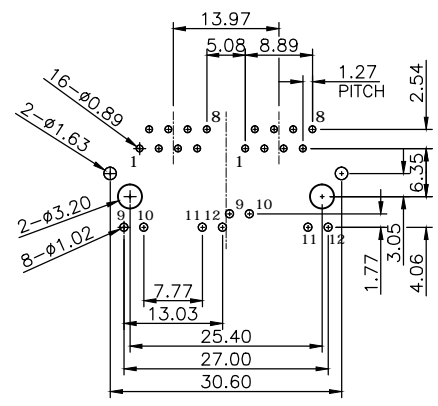
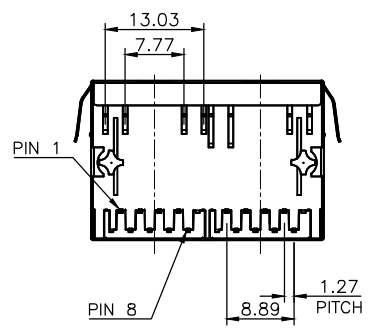
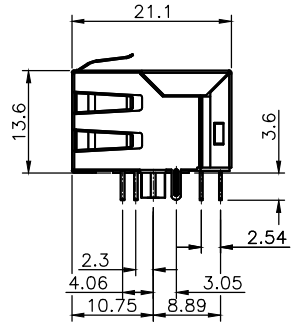
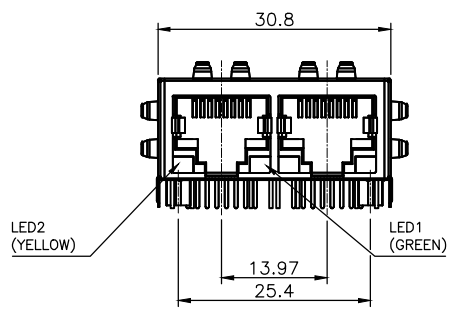
213A-12 C X X-RA12
1 2 3 4

- 1.No. of Contact
12: 1X2
- 2.Contact Plating
C: 6u" Gold Plating
- 3.EMI Tab
A: with EMI Tab
B: without EMI Tab
- 4.LED
A: Y(LED2)+G(LED1)



YELLOW GREEN
9+ \rightarrow -10 11+ \rightarrow -12

LED SCHEMATIC



RECOMMENDED PCB LAYOUT
RECOMMENDED PCB THICKNESS: 1.6mm
TOLERANCE: ±0.05 (TOP VIEW)

5	LED	LED solder tails: Steel, tin plating under nickel
4	SHELL	Brass, Nickel plating
3	CONTACT	Phosphor Bronze, 6u" Gold plating over Nickel
2	INSERT	PBT, UL94V-0, Black
1	HOUSING	PBT, UL94V-0, Black

NO.	PART NAME	DESCRIPTION			
UNLESS OTHERWISE SPECIFIED TOLERANCE					
UNIT:	DECIMAL	LINEAR	ANGLES		
	X.	±0.50	±5°		
	X.X	±0.25	±3°		
	X.XX	±0.15	±1°		
www.attend.com.tw					
DRAWN	Willis	2013/06/13	DRAWN NAME: RJ45 1X2 Jack Magnetic Type		
CHECKED	Angel	2013/06/13			
APPROVED	Ken	2013/06/13	PRODUCT NO. 213A-12CXA-RA12		
SCALE	1/1	SHEET	1/2	FILE NAME	213A-12CXA-RA12_B_3
					A4

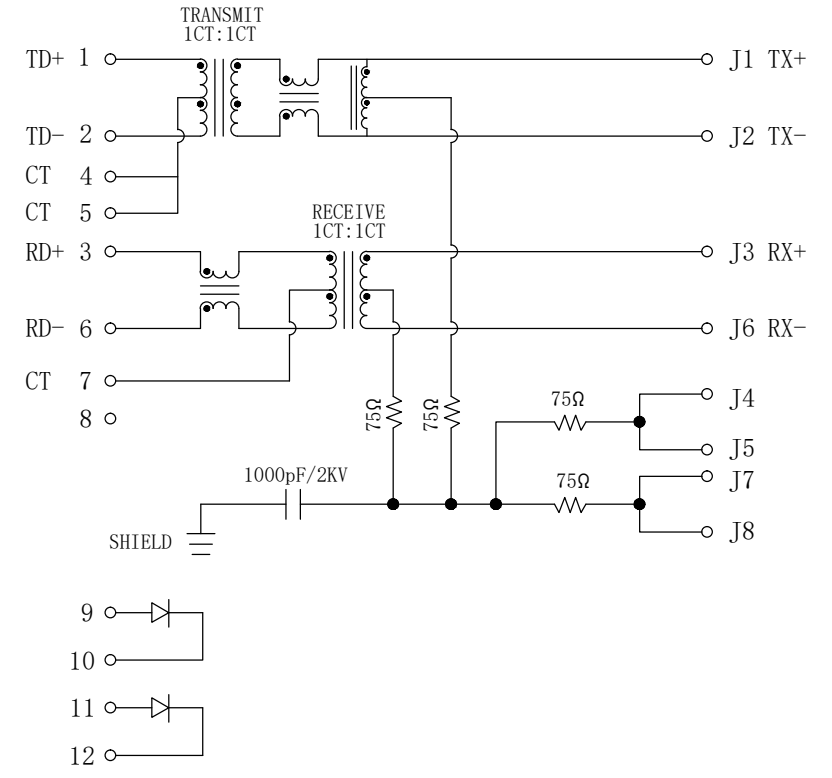


REV.	DESCRIPTION	DRAWN	DATE
------	-------------	-------	------


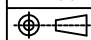
Specification :

Item	Parameter	Condition	Min.	Typ.	Max.	Unit	REMARK
1	Insertion loss	1-100 MHz			-1	dB	
2	Return loss	1-10 MHz	-20			dB	
		10-30 MHz	-16			dB	
		30-60 MHz	-12			dB	
		60-80 MHz	-10			dB	
3	DCL	100 KHz	350			μH	
4	Crosstalk	1-30 MHz	-40			dB	
		30-60MHz	-35			dB	
		60-100MHz	-30			dB	
5	CMR	1-100 MHz	-30			dB	
6	Turns Ratio	TX: 1 : 1 RX: 1 : 1				CT	
7	Hi-pot	Vrms	1.5			kV	

CONNECTOR SOLDER SIDE RJ45 CONTACT SIDE



CONNECTOR SCHEMATIC

UNLESS OTHERWISE SPECIFIED TOLERANCE				 www.attend.com.tw		
UNIT:	DECIMAL	LINEAR	ANGLES			DRAWN NAME: RJ45 1X2 Jack Magnetic Type
mm	X.	±0.50	±5°			
	X.X	±0.25	±3°			
	X.XX	±0.12	±1°			
DRAWN	Willis	2013/06/13	PRODUCT NO.	213A-12CXA-RA12		
CHECKED	Angel	2013/06/13	FILE NAME	213A-12CXA-RA12_B_3		
APPROVED	Ken	2013/06/13	SCALE	1/1		
		SHEET	2/2	SIZE	A4	