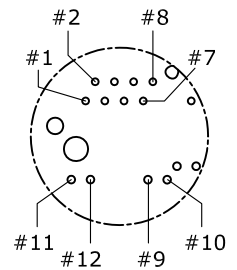
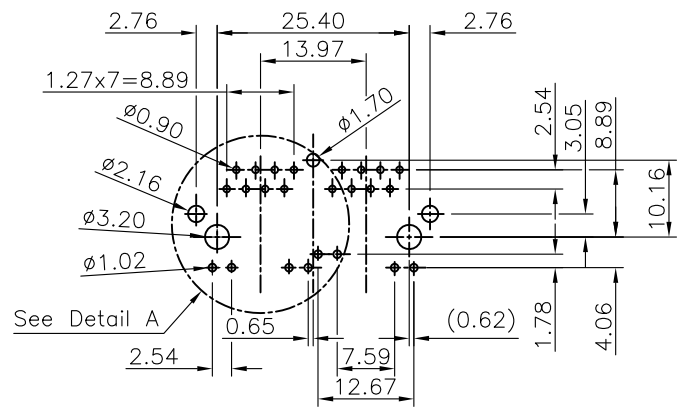
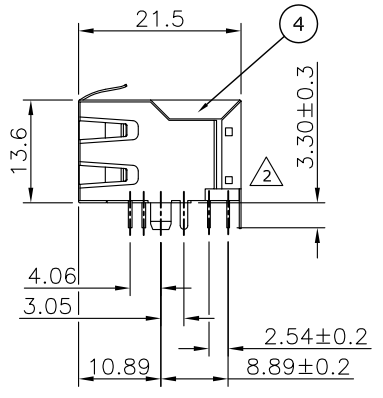
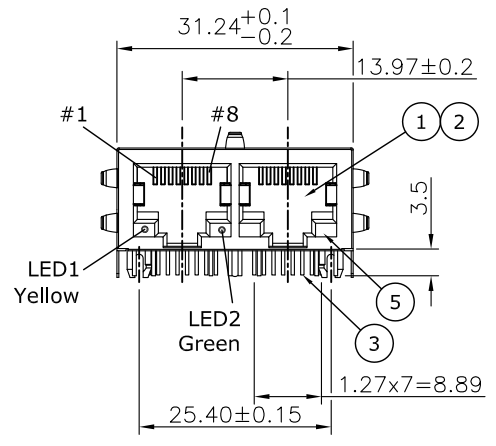
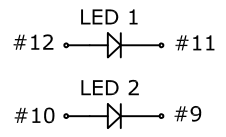


REV.	DESCRIPTION	DRAWN	DATE
0	PRELIMINARY	TIM	2016/10/17
1	INITIAL RELEASE	TIM	2016/10/18
2	CORRECTED	TIM	2016/03/09

**SPECIFICATION:**

1. ELECTRICAL
  - 1.1 Current Rating: 1.5A
  - 1.2 Voltage Rating: 125VAC
  - 1.3 Contact Resistance: 30mΩ
  - 1.4 Insulation Resistance: 1000MΩ Min. at 500 VDC
  - 1.5 Dielectric Withstanding Voltage: 1000VAC 60Hz 1 minute
  - 1.6 LED Ratings: Forward Voltage: 2.2V Typical.  
Reverse Voltage: 5V max.
2. MECHANICAL
  - 2.1 Durability: 750 Cycle
  - 2.2 PCB Retention Pre-Solder: 1 LB min.
  - 2.3 PCB Retention Post-Solder: 10 LBS min.
3. ENVIRONMENTAL
  - 3.1 Operating temperature range: -40 °C~+85°C
  - 3.2 Storage temperature range: -40 °C~+85°C
4. SOLDER ABILITY
  - 4.1 Wave Soldering Temp.: 255°C to 260°C/ 5 to 10 sec.


\*Mates with modular plug conforming to TIA-1096-A



**Recommended Layout (Top View)**  
General Tolerance: ±0.1mm

**Detail A**  
Scale 1/1

6	PCB	FR-4, 0.5t
5	LED	3.0x2.0x4.0, P=2.54mm
4	SHELL	Copper Alloy 0.25t, Nickel plating
3	CONTACT	Phosphor Bronze 0.35t, Gold plating over Nickel
2	INSERT	High Temp. UL94V-0, Black
1	HOUSING	High Temp. UL94V-0, Black
NO.	PART NAME	DESCRIPTION

UNLESS OTHERWISE SPECIFIED TOLERANCE				 WWW.ATTEND.COM.TW	
UNIT:	DECIMAL	LINEAR	ANGLES		
mm	X.	±0.50	±5°		
	X.X	±0.25	±3°		
	X.XX	±0.12	±1°		
DRAWN	Fros	2016/10/17	DRAWN NAME:		
CHECKED	Tim	2016/10/17	Cat 5e RJ45 Module Jack with LED		
APPROVED	Ken	2016/10/17	PRODUCT NO.	211C-12CAA	
SCALE	1/1	SHEET	1/1	SIZE	A4
FILE NAME		211C-12CAA_B_2			