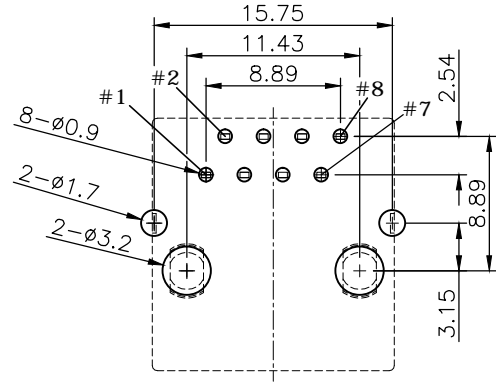


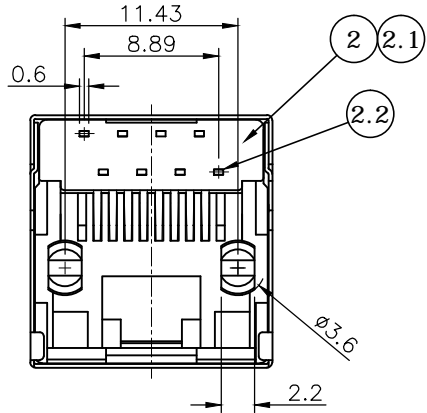
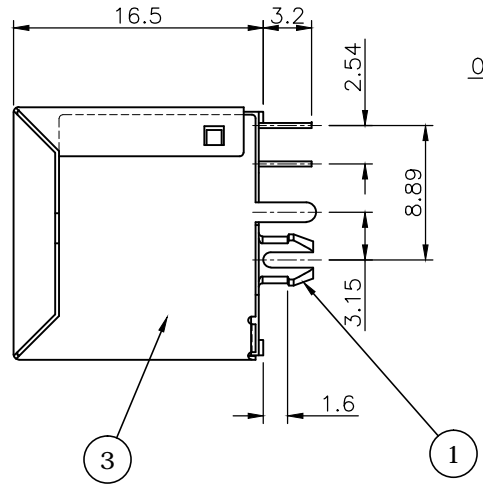
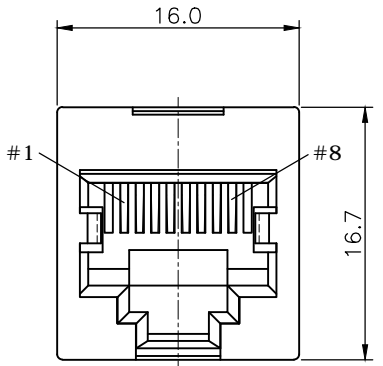
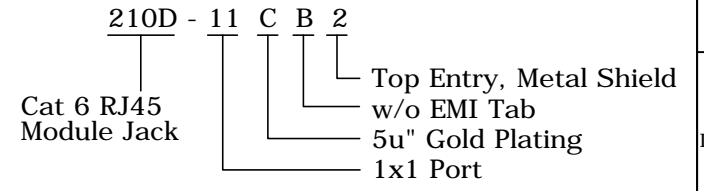
REV.	DESCRIPTION	DRAWN	DATE
1	INITIAL RELEASE	FROS	2015/12/14
2	210D-11C2B REVISION TO 210D-11CB2	FROS	2016/11/01
3	ECR1900016	FROS	2019/09/04

SPECIFICATION:


1. ELECTRICAL
 - 1.1 Current Rating: 1.5A
 - 1.2 Voltage Rating: 125VAC
 - 1.3 Contact Resistance: 35mΩ
 - 1.4 Insulation Resistance: 1,000MΩ
 - 1.5 Dielectric Withstanding Voltage: 1,000VAC
 2. MECHANICAL
 - 2.1 Durability: 750 Cycle
 - 2.2 PCB Retention Pre-Solder: 1LB min.
 - 2.3 PCB Retention Post-Solder: 10LBS min.
 3. ENVIRONMENTAL
 - 3.1 Operating temperature range: -40°C~+85°C
 - 3.2 Storage temperature range: -40°C~+85°C
- Mates with modular plug conforming to FCC part 68, subpart F.



RECOMMENDED LAYOUT (TOP VIEW)
GENERAL TOLERANCE: ±0.1

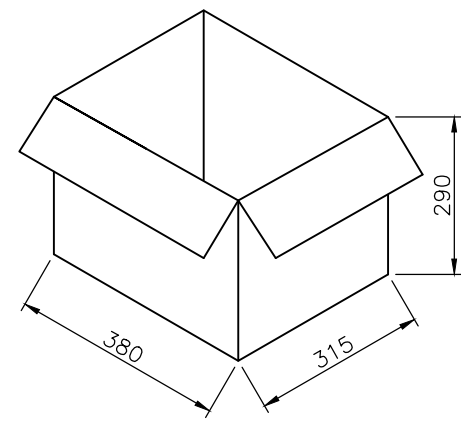
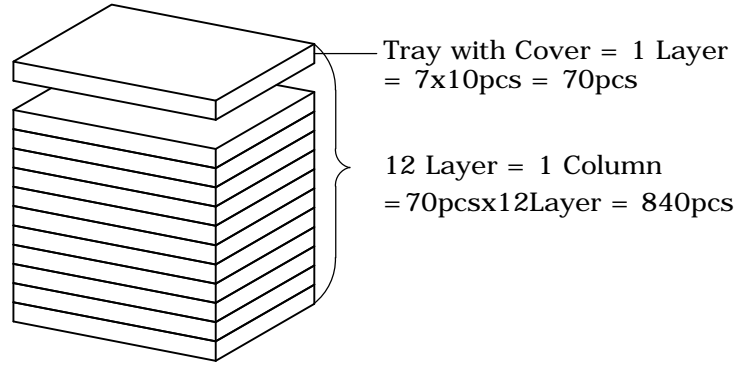


3	SHELL	Brass C2680 0.2t, 30u"~50u" Nickel plating
2.2	CONTACT	Phosphor Bronze C5210 0.35t, 5u" selective Gold plating over 50u" Nickel
2.1	INSULATOR	Zytel HTNFR52, UL94V-0, Black
2	INSERT	Assembly
1	HOUSING	Zytel HTNFR52, UL94V-0, Black

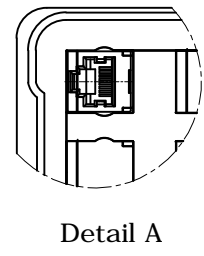
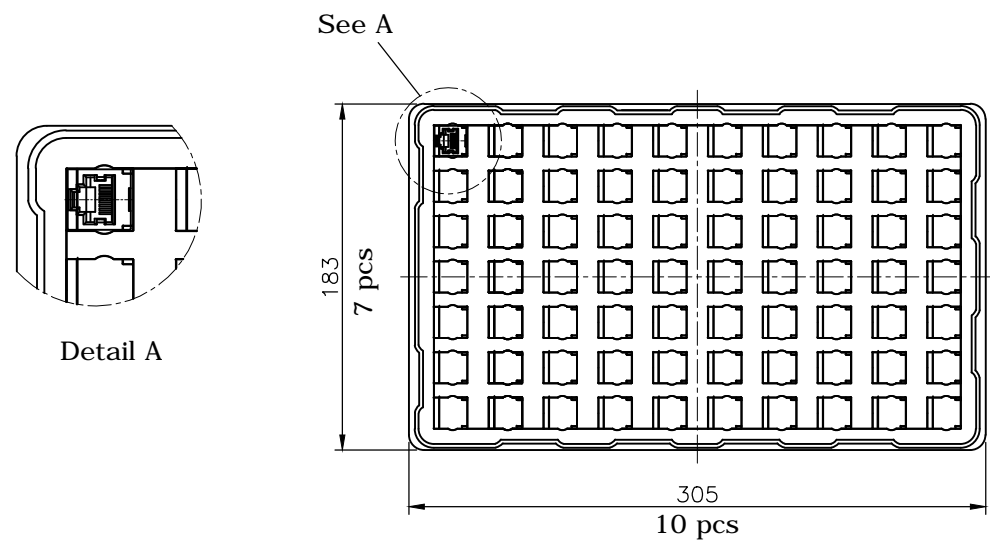
UNLESS OTHERWISE SPECIFIED TOLERANCE				 WWW.ATTEND.COM.TW	
UNIT:	DECIMAL	LINEAR	ANGLES		
mm	X.	±0.50	±5°		
	X.X	±0.25	±3°		
	X.XX	±0.12	±1°		


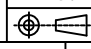
DRAWN	Fros	2015/12/14	DRAWN NAME: RJ45 Cat.6 Top Entry Jack, Metal Shield w/o EMI Tab, STP, 5u" Gold		
CHECKED	Amy	2015/12/14			
APPROVED	Ken	2015/12/14	PRODUCT NO.	210D-11CB2	
SCALE	2.0	SHEET	1/2	SIZE	A4
FILE NAME			210D-11CB2_B_3		

REV.	DESCRIPTION	DRAWN	DATE
	SEE SHEET ONE		



1 Carton = 2 Column
= 840pcsx2 = 1680pcs



UNLESS OTHERWISE SPECIFIED TOLERANCE				 WWW.ATTEND.COM.TW	
UNIT:	DECIMAL	LINEAR	ANGLES		
mm	X.	±0.50	±5°		
	X.X	±0.25	±3°		
	X.XX	±0.12	±1°		
DRAWN	Fros	2015/12/14	DRAWN NAME:		
CHECKED	Amy	2015/12/14	RJ45 Cat.6 Top Entry Jack, Metal Shield w/o EMI Tab, STP, 5u" Gold		
APPROVED	Ken	2015/12/14	PRODUCT NO.	210D-11CB2	
 SCALE 1/4 SHEET 2/2 SIZE A4		FILE NAME	210D-11CB2_B_3		