

REV.	DESCRIPTION	DRAWN	DATE
1	INITIAL RELEASE	FROS	2015/12/07
2	210C-11C1A REVISION TO 210C-11CA0	FROS	2016/11/01
3	ECR1900016	FROS	2019/10/25

**SPECIFICATION:**

**1. ELECTRICAL**

- 1.1 Current Rating: 1.5A
- 1.2 Voltage Rating: 125VAC
- 1.3 Contact Resistance: 60mΩ
- 1.4 Insulation Resistance: 1,000MΩ
- 1.5 Dielectric Withstanding Voltage: 1,000VAC

**2. MECHANICAL**

- 2.1 Durability: 750 Cycle

**3. ENVIRONMENTAL**

- 3.1 Operating temperature range: -40°C~+85°C
- 3.2 Storage temperature range: -40°C~+85°C

Mates with modular plug conforming to FCC part 68, subpart F.

210C - 11 C A 0

Cat 5e RJ45  
Module Jack

w/EMI Tab  
5u" gold plating  
1x1 port

3	SHELL	Brass C2680 0.2t, 30u"~50u" Nickel plating
2.3	PCB	FR-4, 0.5t
2.2	CONTACT	Phosphor Bronze C5210 0.35t, 5u" Gold plating over 50u" Nickel
2.1	INSULATOR	Zytel HTNFR52, UL94V-0, Black
2	INSERT	Assembly
1	HOUSING	Zytel HTNFR52, UL94V-0, Black
NO.	PART NAME	DESCRIPTION

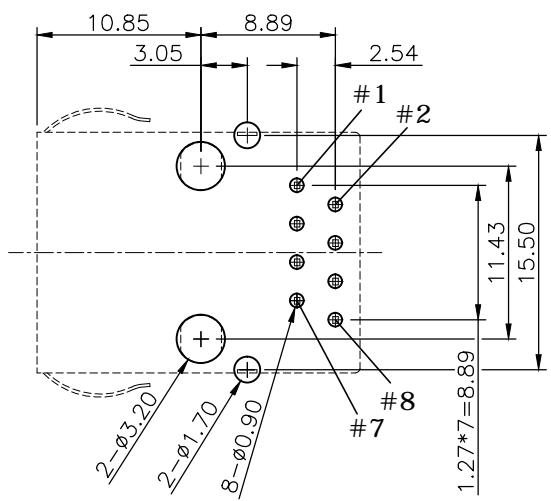
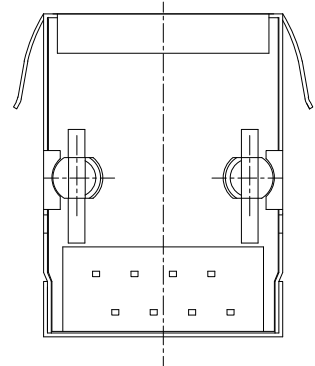
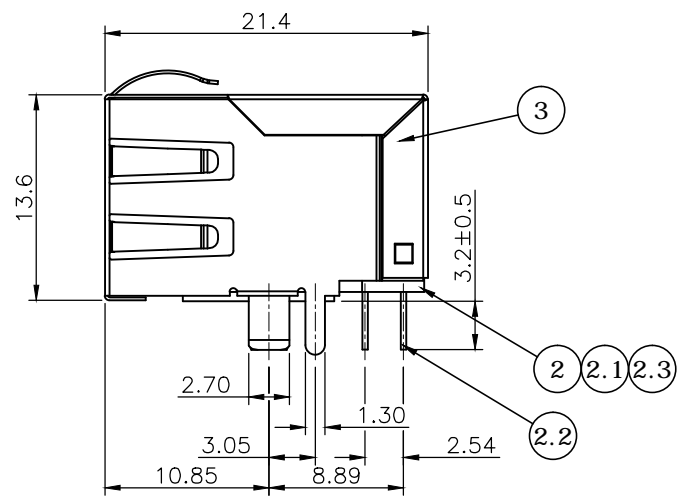
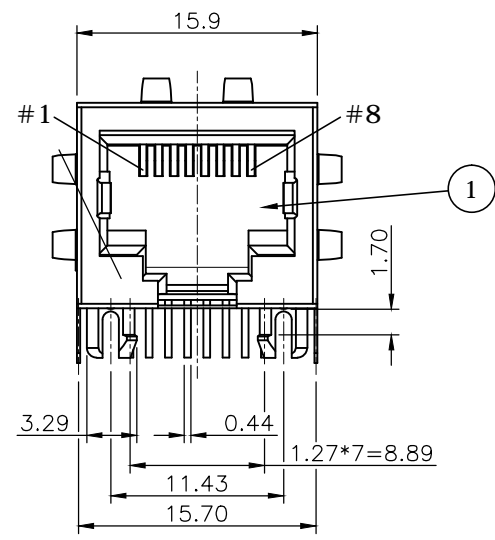
UNLESS OTHERWISE SPECIFIED TOLERANCE

UNIT:	DECIMAL	LINEAR	ANGLES
mm	X.	±0.50	±5°
	X.X	±0.25	±3°
	X.XX	±0.12	±1°



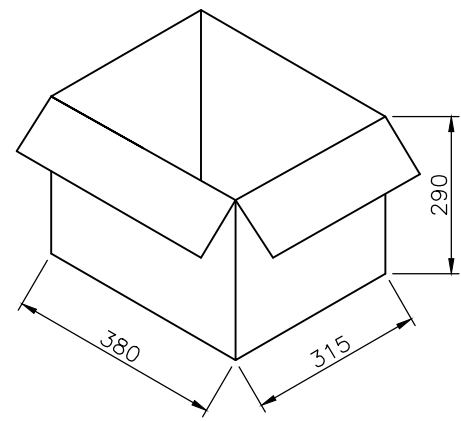
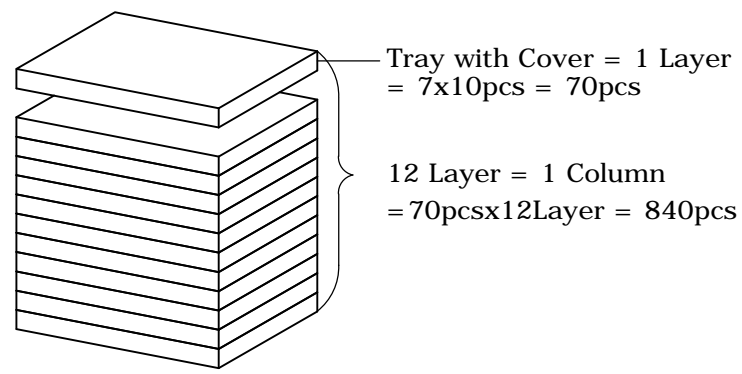
WWW.ATTEND.COM.TW

DRAWN	Fros	2015/12/07	DRAWN NAME:		
CHECKED	Amy	2015/12/07		Cat 5e RJ45 Module Jack, 1x1 Port Metal Shield w/EMI Tab Type, 5u" Gold	
APPROVED	Ken	2015/12/07	PRODUCT NO.	210C-11CA0	
SCALE	2/1	SHEET	1/2	SIZE	A4
FILE NAME	210C-11CA0_B_3				

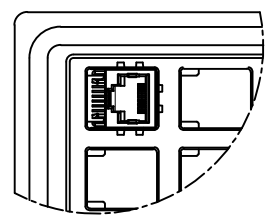


CONNECTOR  
RECOMMENDED LAYOUT (TOP VIEW)  
GENERAL TOLERANCE: ±0.05mm

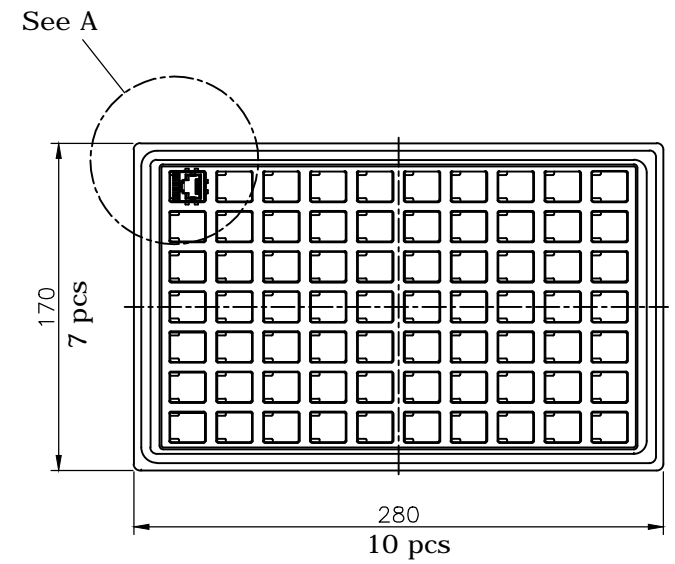
REV.	DESCRIPTION	DRAWN	DATE
	see sheet one		


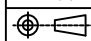


1 Carton = 2 Column  
= 840pcsx2 = 1680pcs



Detail A



UNLESS OTHERWISE SPECIFIED TOLERANCE				 <a href="http://WWW.ATTEND.COM.TW">WWW.ATTEND.COM.TW</a>	
UNIT:	DECIMAL	LINEAR	ANGLES		
mm	X.	±0.50	±5°		
	X.X	±0.25	±3°		
	X.XX	±0.12	±1°		
DRAWN	Fros	2015/12/07	DRAWN NAME:		
CHECKED	Amy	2015/12/07	Cat 5e RJ45 Module Jack, 1x1 Port Metal Shield w/EMI Tab Type, 5u" Gold		
APPROVED	Ken	2015/12/07	PRODUCT NO.	210C-11CA0	
	SCALE 1/4	SHEET 2/2	SIZE A4	FILE NAME	210C-11CA0_B_3