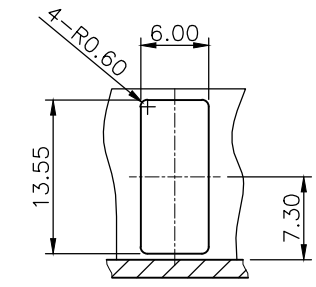
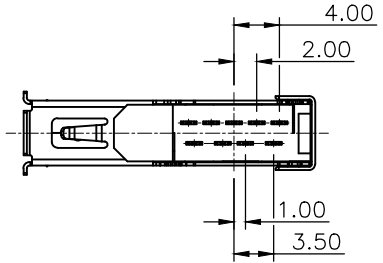
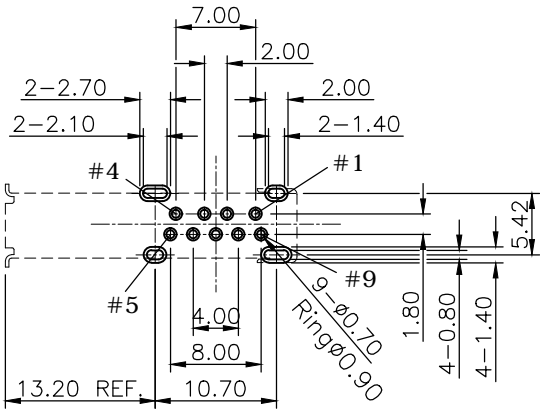


PIN ASSIGNMENT	
PIN	SIGNAL NAME
1	VBUS
2	D-
3	D+
4	GND
5	StdA_SSRX-
6	StdA_SSRX+
7	GND_DRAIN
8	StdA_SSTX-
9	StdA_SSTX+
SHELL	SHIELD



Panel Cutout (Internal Side)



Recommended Layout (Top View)  
General Tolerance: ±0.05mm

REV.	DESCRIPTION	DRAWN	DATE
2	ECN-19A048	FROS	2019/12/16
2.1	Revise the color: Black -> Blue	TIM	2020/05/21
3	ECR230512001	TIM	2023/05/12

**SPECIFICATION:**

1. ELECTRICAL
  - 1.1 Current Rating: 1.8A for Vconn & GND; 0.25A for other pin
  - 1.2 Contact Resistance: 30mΩ for Vconn & GND; 50mΩ for other pin
  - 1.3 Insulation Resistance: 100MΩ
  - 1.4 Dielectric Withstanding Voltage: 100V
2. MECHANICAL
  - 2.1 Insertion Force: 35N max.
  - 2.2 Extraction Force: 10N max.
3. ENVIRONMENTAL
  - 3.1 Operating temperature range: -55°C~+85°C
4. SOLDER ABILITY
  - 4.1 Recommended IR Reflow(Wave Soldering) Temperature: 260°C
  - 4.2 Recommended PCB Thickness: 1.6mm max.

3	SHELL	Stainless steel, T=0.3, Nickel plating		
2	CONTACT	Copper T=0.25, Gold plating over Nickel		
1	HOUSING	LCP, UL94V-0, Blue		
NO. PART NAME		DESCRIPTION		
UNLESS OTHERWISE SPECIFIED TOLERANCE				
UNIT:	DECIMAL	LINEAR	ANGLES	
	X.	±0.50	±5°	
	X.X	±0.25	±3°	
	X.XX	±0.12	±1°	
DRAWN		Fros	2017/01/17	DRAWN NAME: USB 3.0 A Receptacle Flank DIP Type, G/F, Tray
CHECKED		Tim	2017/01/17	
APPROVED		Ken	2017/01/17	
SCALE		1.5/1	SIZE A4	
FILE NAME		209B-DA04_B_3		



WWW.ATTEND.COM.TW