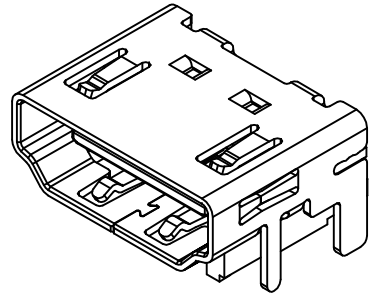
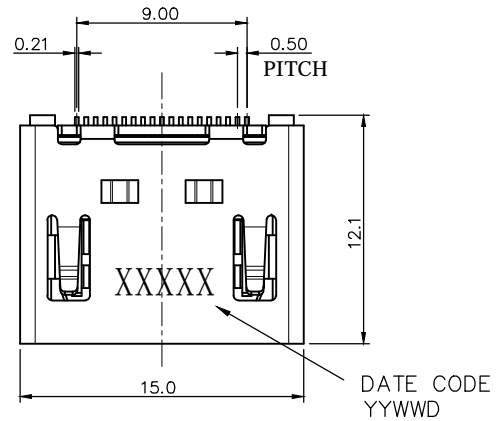
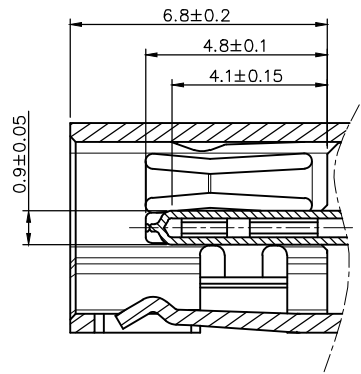
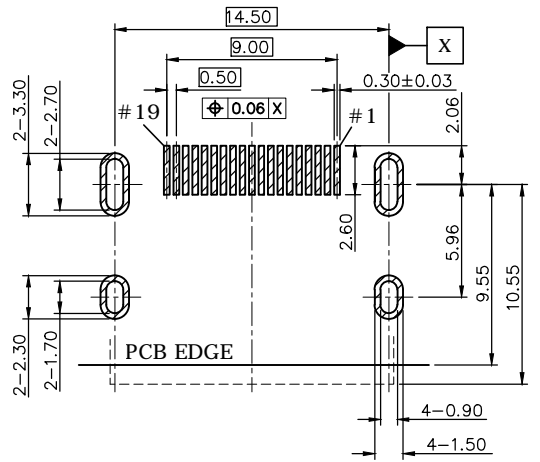
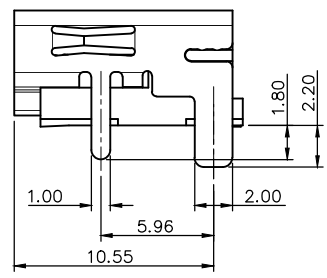
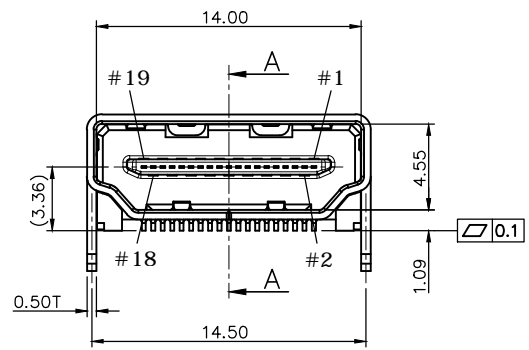


REV.	DESCRIPTION	DRAWN	DATE
1	INITIAL RELEASE	FROS	2022/12/12




SPECIFICATION:

1. ELECTRICAL
 - 1.1 Current Rating: 0.5A per pin
 - 1.2 Voltage Rating: 40V AC
 - 1.3 Contact Resistance: Initial 30mΩ Max. / after test 60mΩ Max.
 - 1.4 Insulation Resistance: 100MΩ Min.
 - 1.5 Dielectric Withstanding Voltage: 500VAC
2. MECHANICAL
 - 2.1 Durability: 10,000 Cycle
 - 2.2 Insertion Force: 44.1N (4.5kgf) max.
 - 2.3 Extraction Force: 9.8~39.2N (1.0~4.0kgf)
3. ENVIRONMENTAL
 - 3.1 Operating temperature range: -40°C~+85°C
 - 3.2 Storage temperature range: -20°C~+85°C
4. SOLDER ABILITY
 - 4.1 Recommended IR-Reflow Temperature: 260°C



SECTION A-A
SCALE 5/1

RECOMMENDED LAYOUT (TOP VIEW)
GENERAL TOLERANCE: ±0.05mm

3	SHELL	Brass, 50u" min. Nickel plating	
2	CONTACT	Phosphor Bronze, 15u" Gold plating on contact area, 100~120u" tin plating on solder tails, under plating 50u" min. nickel over all	
1	HOUSING	LCP, UL94V-0, Black	
NO. PART NAME		DESCRIPTION	
UNLESS OTHERWISE SPECIFIED TOLERANCE			
UNIT:	DECIMAL	LINEAR	ANGLES
	X.	±0.50	±5°
	X.X	±0.25	±3°
	X.XX	±0.12	±1°
mm			
 www.attend.com.tw			
DRAWN	Fros	2022/12/12	
CHECKED	Tim	2022/12/12	
APPROVED	Ken	2022/12/12	
SCALE	2.5/1	SHEET 1/1	
SIZE	A4	FILE NAME	
DRAWN NAME:		206A-SE02_B_1	
PRODUCT NO.		206A-SE02	
HDMI Connector, 2.1 A SMT+Shell DIP type, w/o Kink, w/o Peg, G/F, Reel			

REV.	DESCRIPTION	DRAWN	DATE
1	INITIAL RELEASE	FROS	2022/12/12

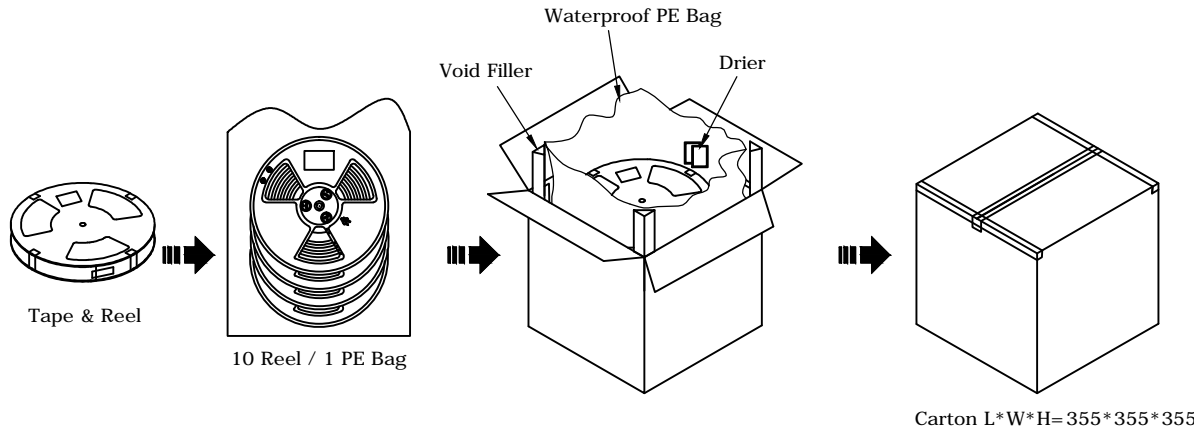
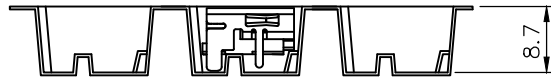
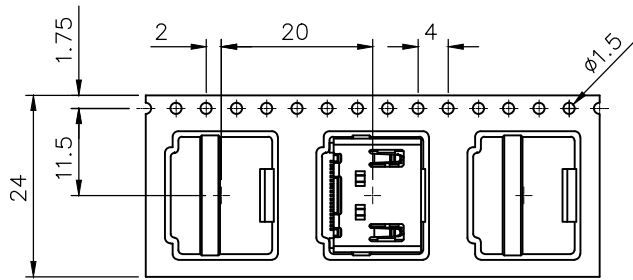
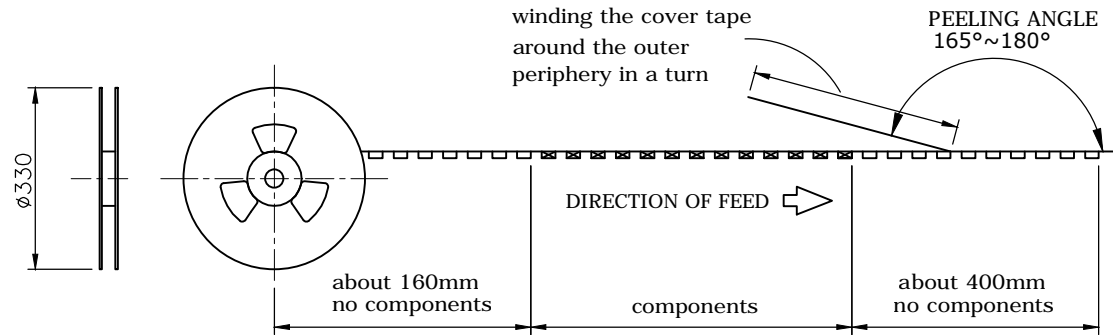
PACKAGING SPECIFICATION:


1. MATERIAL

- 1.1 Embossed Carrier Tape: PS transparent
- 1.2 Top Cover Tape: PET
20-80g(Peel Speed 300mm/Minute)
- 1.3 Taping Reel: Plastic

2. PACKING

- 2.1 Quantity:
300 Piece/Reel
3,000 Piece/Outer Carton



UNLESS OTHERWISE SPECIFIED TOLERANCE				 www.attend.com.tw		
UNIT:	DECIMAL	LINEAR	ANGLES			
mm	X.	±0.50	±5°	DRAWN NAME: HDMI Connector, 2.1 A SMT+ Shell DIP type, w/o Kink, w/o Peg, G/F, Reel		
	X.X	±0.25	±3°			
	X.XX	±0.12	±1°			
DRAWN	Fros	2022/12/12	DRAWN NAME:			
CHECKED	Tim	2022/12/12	PRODUCT NO. 206A-SE02			
APPROVED	Ken	2022/12/12	SCALE	SHEET	SIZE	FILE NAME
			2.5/1	1/1	A4	206A-SE02_D_1