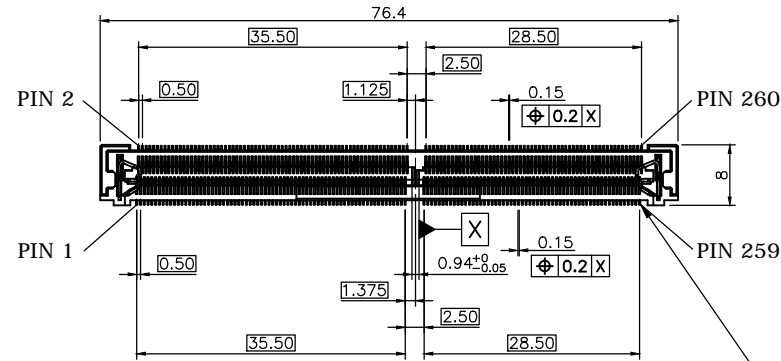


REV.	DESCRIPTION	DRAWN	DATE
1	INITIAL RELEASE	TIM	2022/08/15
1.1	Revised spec. 2.2 & 2.3 to comply with JEDEC STD.	Fros	2023/03/30

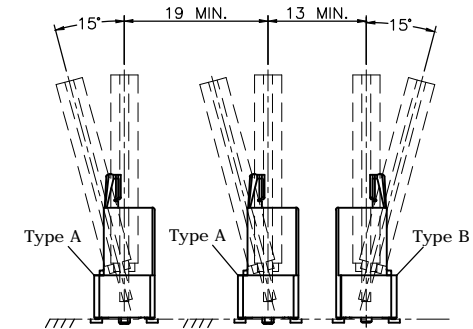
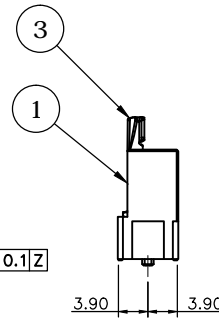
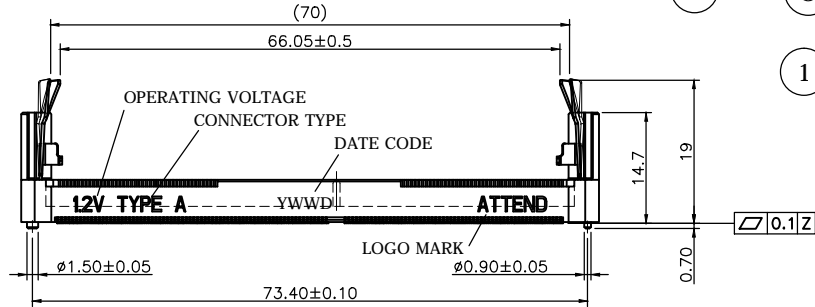


△ SPECIFICATION:

1. ELECTRICAL
 - 1.1 Current Rating: 0.5A per pin
 - 1.2 Voltage Rating: 25V AC
 - 1.3 Contact Resistance: 55mΩ max.
 - 1.4 Insulation Resistance: 500MΩ
 - 1.5 Dielectric Withstanding Voltage: 300VAC
2. MECHANICAL
 - 2.1 Durability: 25 Cycle
 - 2.2 Insertion Force: 59.8N max.
- 2.3 Extraction Force: 44.6N max.
3. ENVIRONMENTAL
 - 3.1 Operating temperature range: -55°C~+85°C
 - 3.2 Storage temperature range: -55°C~+85°C
4. SOLDER ABILITY
 - 4.1 Recommended IR-Reflow Temperature: 260°C

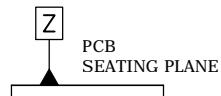
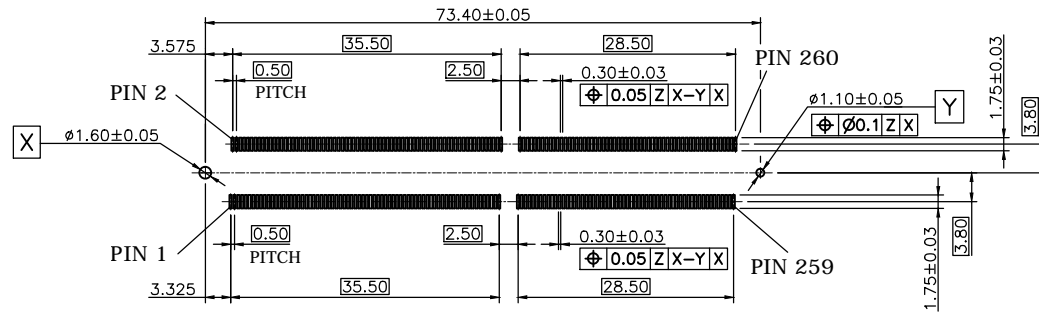
DATE CODE: YWWD

Y: YEAR
 WW: WEEK (01~52)
 D: DAY (1~7)



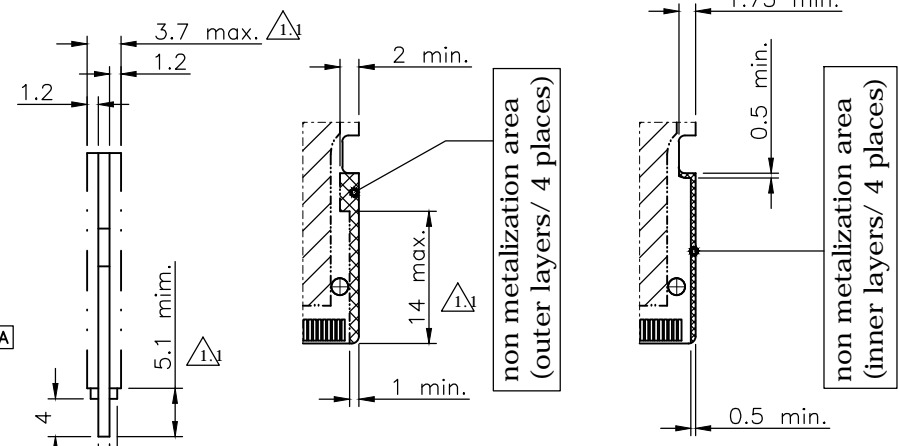
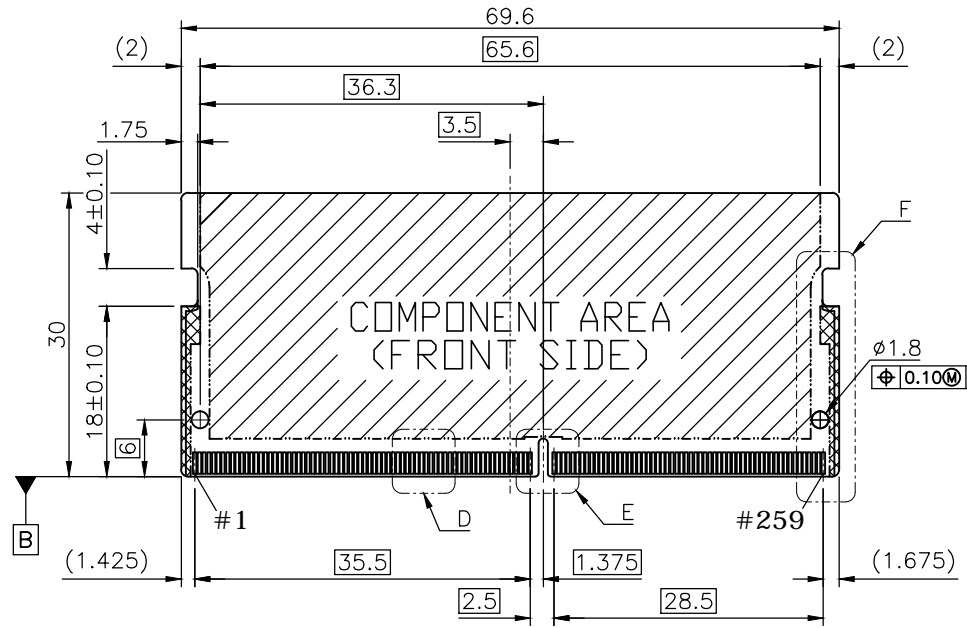
RECOMMENDED SOCKET MOUNTING LAYOUT

3	LATCH	STAINLESS STEEL		
2	CONTACT	PHOSPHOR BRONZE, GOLD FLASH		
1	HOUSING	LCP, UL94V-0, BLACK		
NO.	PART NAME	DESCRIPTION		
UNLESS OTHERWISE SPECIFIED TOLERANCE				
UNIT:	DECIMAL	LINEAR	ANGLES	
	X.	±0.50	±5°	
	X.X	±0.25	±3°	
	X.XX	±0.12	±1°	
www.attend.com.tw				
DRAWN	Tim	2022/08/15	DRAWN NAME:	
CHECKED	Fros	2022/08/15	DDR4 Vertical Socket Type A for 260P DDR SO DIMM	
APPROVED	Ken	2022/08/15	PRODUCT NO. 124B-150A02	
SCALE	1/1	SHEET 1/1	SIZE A4	FILE NAME 124B-150A02_B_1.1

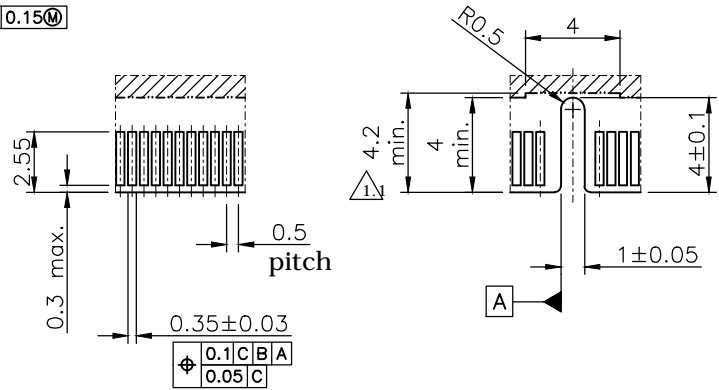
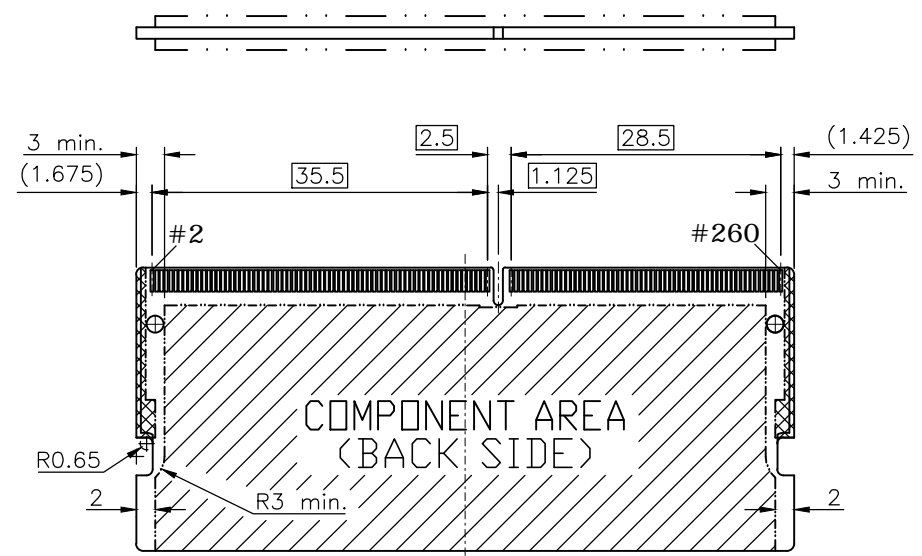


RECOMMENDED PCB LAYOUT (TOP VIEW)
 GENERAL TOLERANCE: ±0.05mm

REV.	DESCRIPTION	DRAWN	DATE
1	INITIAL RELEASE	FROS	2017/02/23
1.1	CORRECTED	TIM	2022/08/15



Detail F




Detail D
SCALE 3.125

Detail E
SCALE 3.125

Note: tolerance on dimensions is ±0.15 unless otherwise specified.

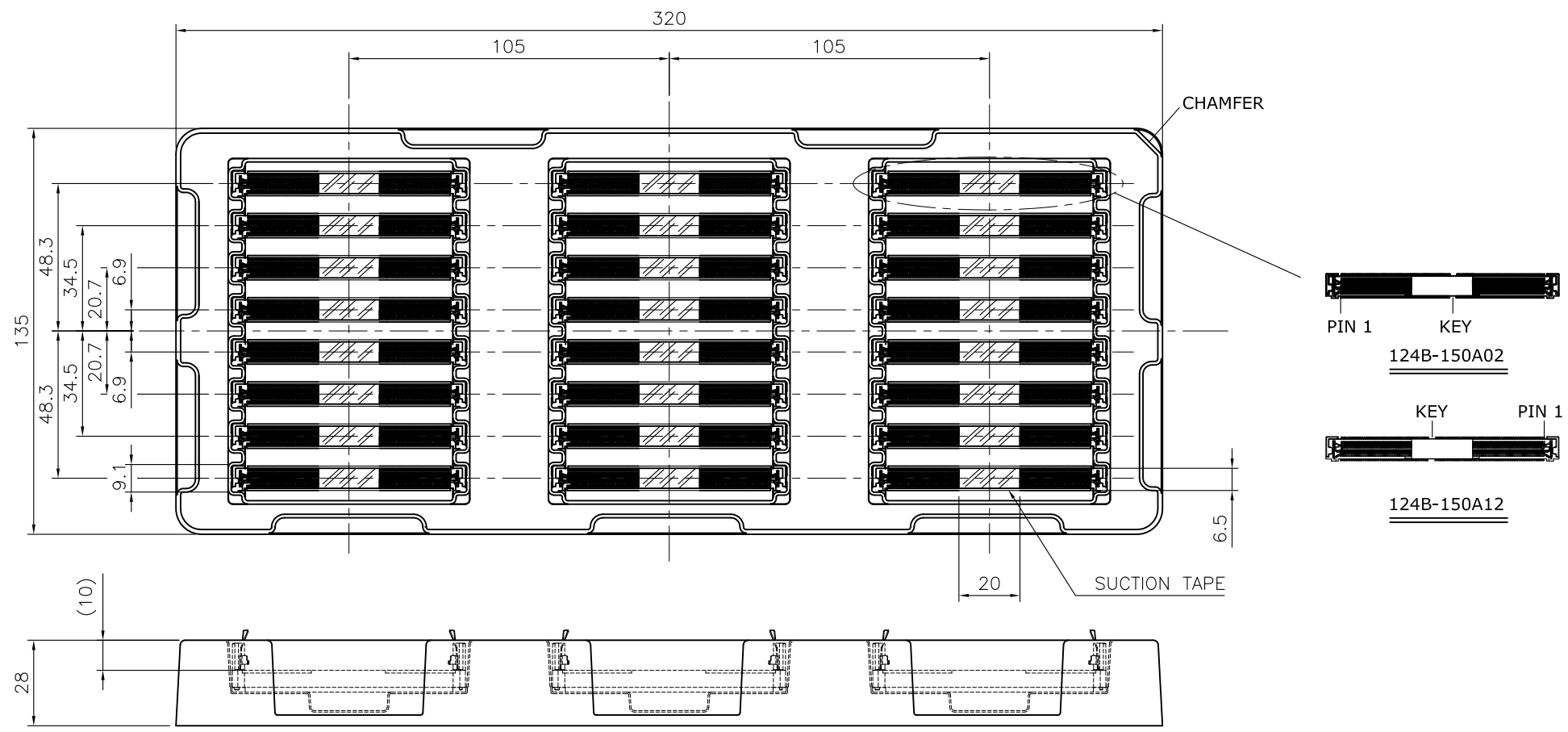
UNLESS OTHERWISE SPECIFIED TOLERANCE			
UNIT:	DECIMAL	LINEAR	ANGLES
mm	X.	±0.50	±5°
	X.X	±0.25	±3°
	X.XX	±0.12	±1°



www.attend.com.tw

DRAWN	Fros	2017/02/23	DRAWN NAME:
CHECKED	Tim	2017/02/23	DDR4 SODIMM CARD SPEC.
APPROVED	Ken	2017/02/23	PRODUCT NO.
SCALE	1.25/1	SHEET	1/1
SIZE	A4	FILE NAME	124-CARD_B_1.1

REV.	DESCRIPTION	DRAWN	DATE
1	Initial Release	TIM	2023/01/09
2	ECR2300004	Fros	2023/05/30



P/N	QTY/TRAY	INNER BOX	CARTON
124B-150A02	24	192	576
124B-150A12	24	192	576

UNLESS OTHERWISE SPECIFIED TOLERANCE

UNIT:	DECIMAL	LINEAR	ANGLES
mm	X.	±0.50	±5°
	X.X	±0.25	±3°
	X.XX	±0.12	±1°

ATTEND
WWW.ATTEND.COM.TW

DRAWN	Tim	2022/10/11	DRAWN NAME: DDR4 SODIMM Socket, Vertical Packaging		
CHECKED	Fros	2022/10/11			
APPROVED	Ken	2022/10/11	PRODUCT NO.	SEE TABLE	
SCALE	1/2	SHEET	1/1	SIZE	A4
			FILE NAME	124B-150AX2_D_2	