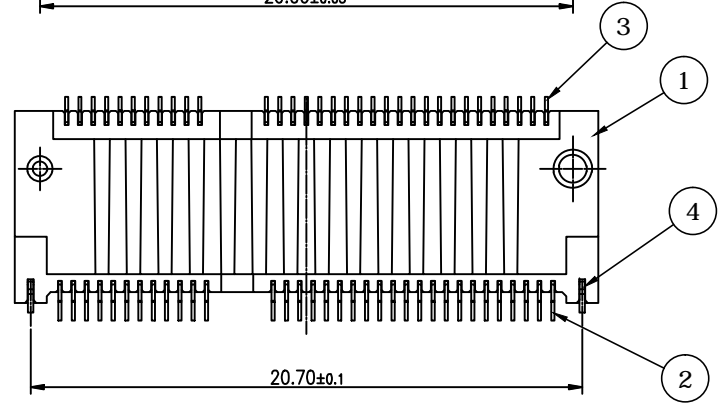
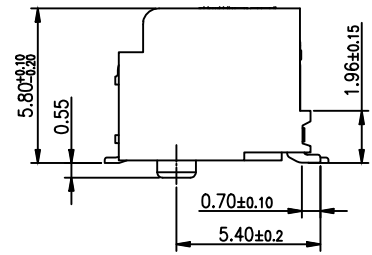
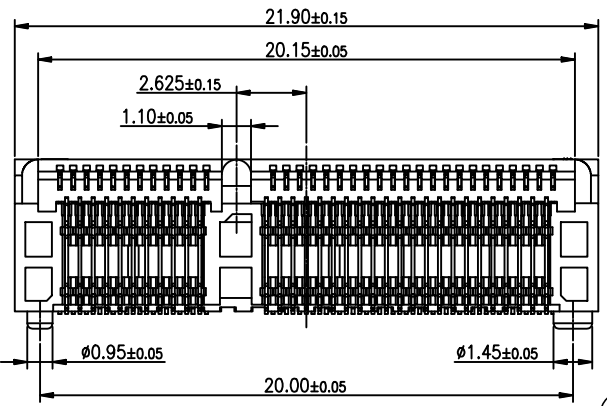
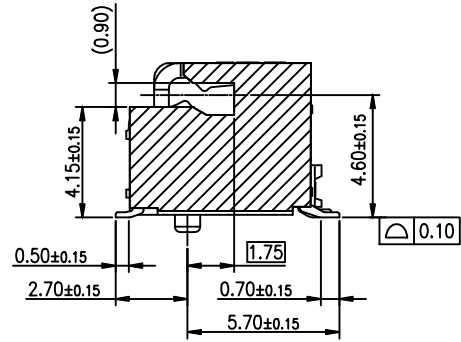
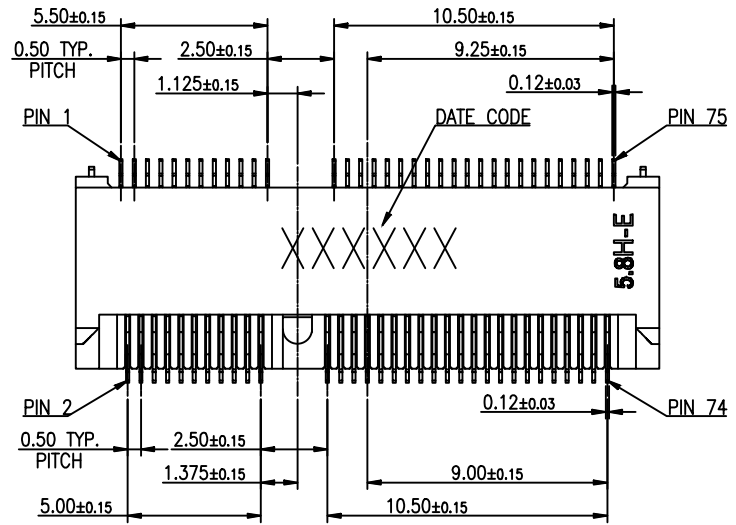


REV.	DESCRIPTION	DRAWN	DATE
1	INITIAL RELEASE	TIM	2021/06/08



SPECIFICATION:

1. ELECTRICAL
 - 1.1 Current Rating: 0.5A per pin
 - 1.2 Voltage Rating: 50VAC
 - 1.3 Contact Resistance: 55mΩ, Δ20mΩ MAX.
 - 1.4 Insulation Resistance: 500MΩ
 - 1.5 Dielectric Withstanding Voltage: 300VAC
2. MECHANICAL
 - 2.1 Durability: 60 Cycle
 - 2.2 Mating Force: 20N max.
 - 2.3 Un-mating Force: 20N max.
3. ENVIRONMENTAL
 - 3.1 Operating temperature range: -40°C~+85°C
 - 3.2 Storage temperature range: -40°C~+85°C
4. SOLDER ABILITY
 - 4.1 Recommended IR-Reflow Temperature: 260°C

4	HOLD DOWN	Copper alloy, 50u" min. Matte Tin plated, under-plated Nickel 50u" min.
3	LOWER CONTACT	Copper alloy, Contact area: Gold flash, Solder area: Gold flash, all under-plated Nickel 50u" min.
2	UPPER CONTACT	
1	INSULATOR	Thermoplastic, UL94V-0, Black
NO.	PART NAME	DESCRIPTION

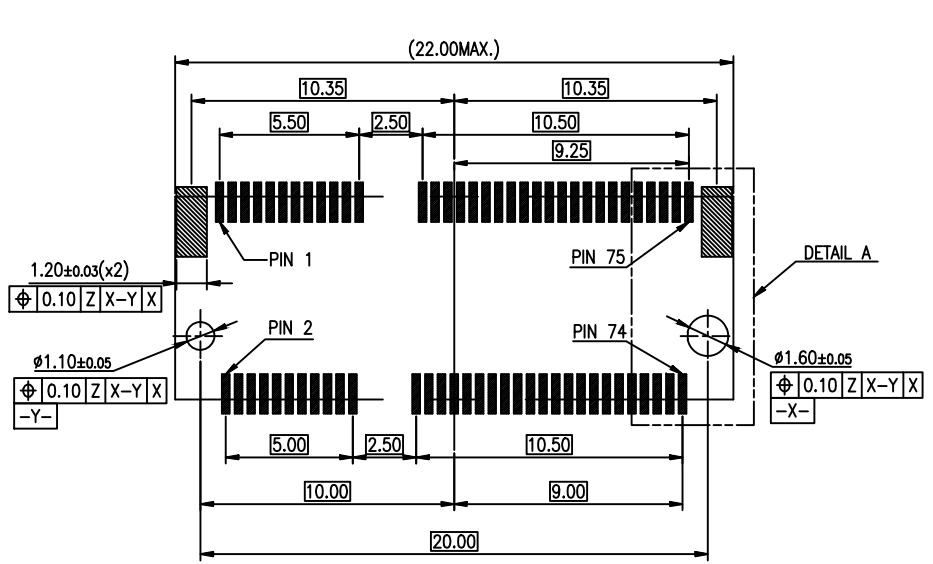
UNLESS OTHERWISE SPECIFIED TOLERANCE			
UNIT:	DECIMAL	LINEAR	ANGLES
mm	X.	±0.50	±5°
	X.X	±0.25	±3°
	X.XX	±0.12	±1°



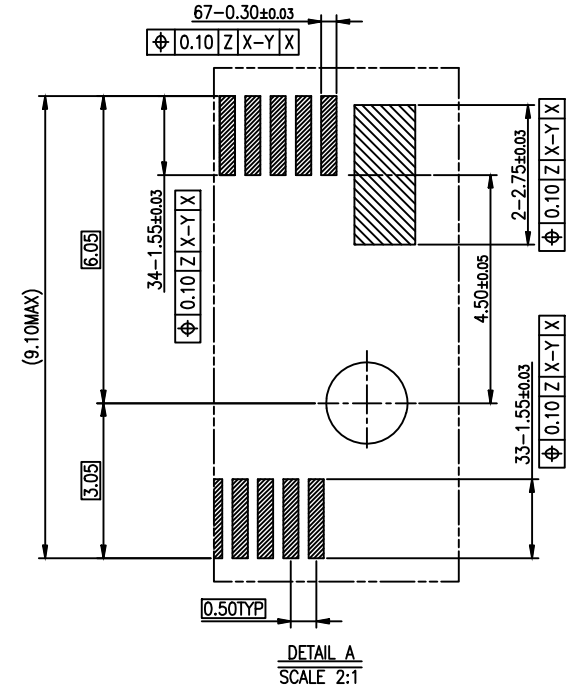
www.attend.com.tw

DRAWN	Tim	2021/06/08	DRAWN NAME:	
CHECKED	Fros	2021/06/08	M.2 Socket, H5.8 E Key 0.5 Pitch G/F, Black, Reel	
APPROVED	Ken	2021/06/08	PRODUCT NO.	123A-58E01
SCALE	N/A	SHEET	1/3	SIZE
			A4	FILE NAME
				123A-58E01_B_1

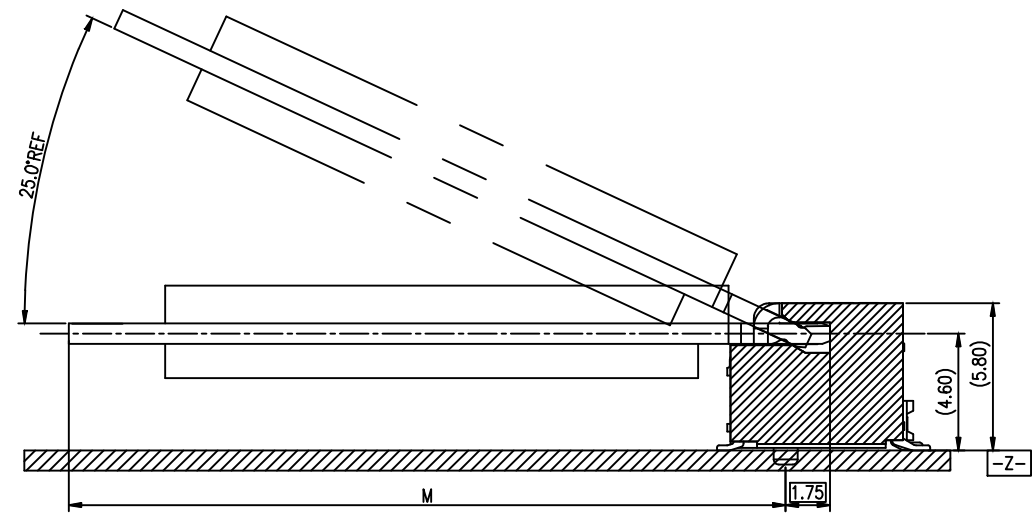
REV.	DESCRIPTION	DRAWN	DATE
	see sheet one		




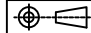
RECOMMEND PCB LAYOUT(TOP VIEW)
(DEFAULT TOLERANCE:±0.05mm)



DETAIL A
SCALE 2:1

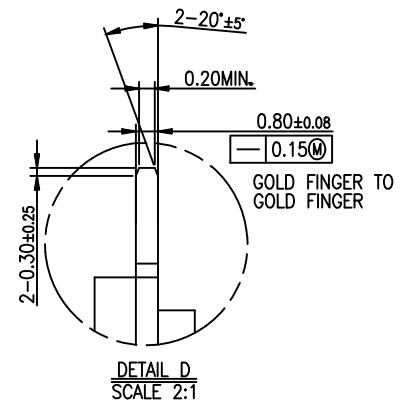
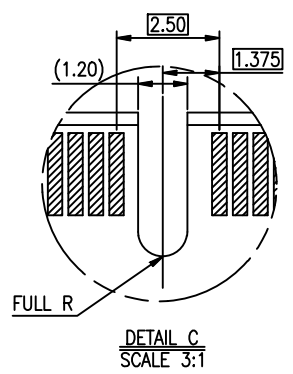
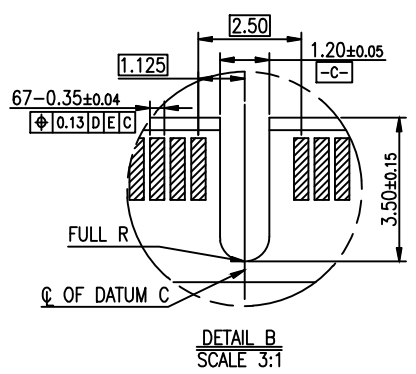
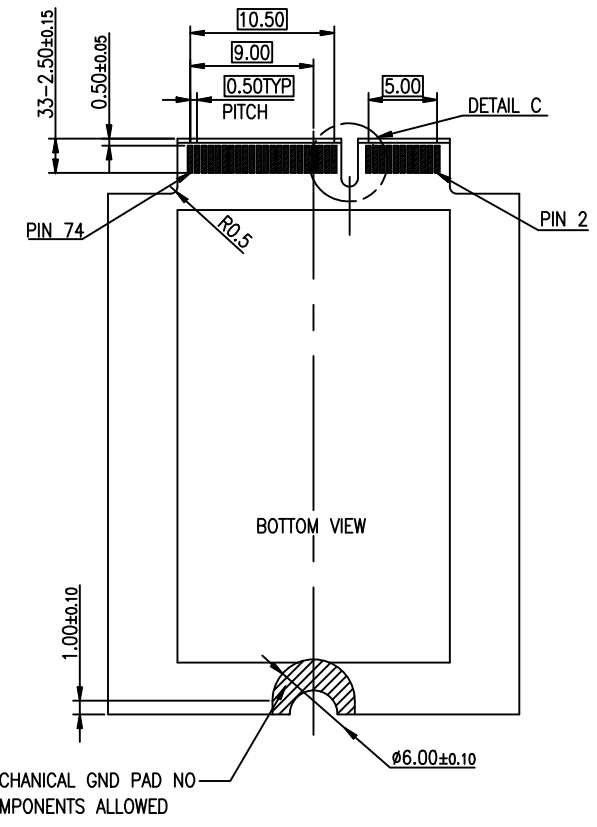
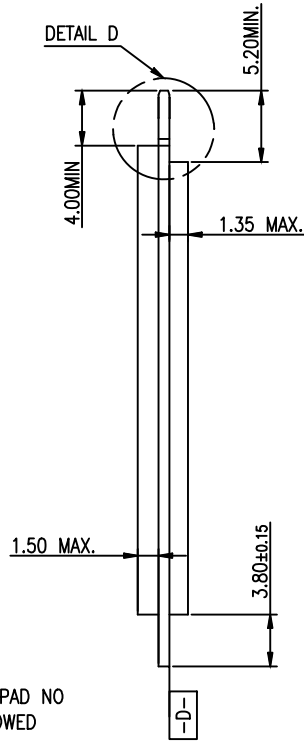
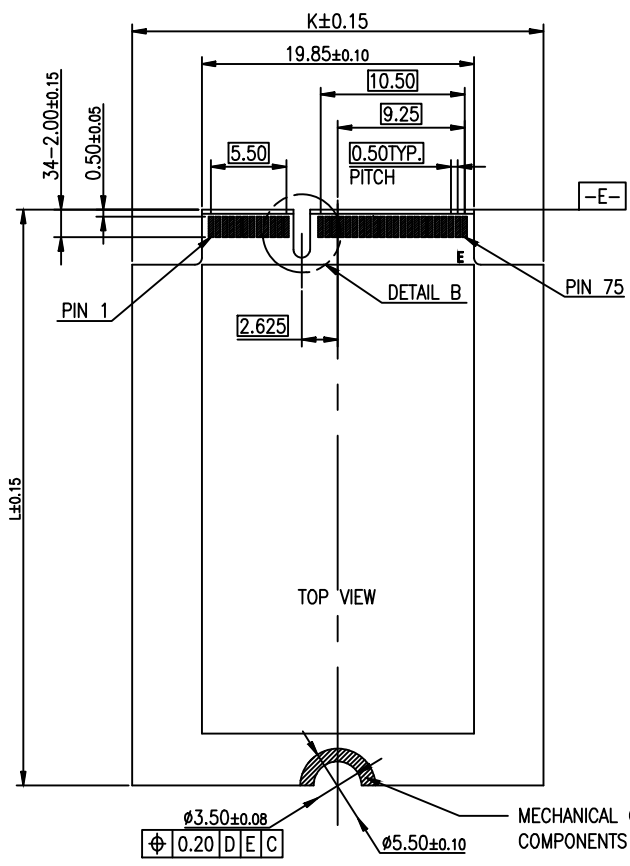



108.25
78.25
58.25
40.25
28.25
DIM. M

UNLESS OTHERWISE SPECIFIED TOLERANCE				 www.attend.com.tw
UNIT:	DECIMAL	LINEAR	ANGLES	
mm	X.	±0.50	±5°	
	X.X	±0.25	±3°	
	X.XX	±0.12	±1°	
DRAWN	Tim	2021/06/08	DRAWN NAME:	
CHECKED	Fros	2021/06/08	M.2 Socket, H5.8 E Key 0.5 Pitch G/F, Black, Reel	
APPROVED	Ken	2021/06/08	PRODUCT NO. 123A-58E01	
	SCALE N/A	SHEET 2/3	SIZE A4	FILE NAME 123A-58E01_B_1

30.00	110.00
	80.00
	60.00
22.00	42.00
	30.00
DIM. K	DIM. L

REV.	DESCRIPTION	DRAWN	DATE
	see sheet one		



UNLESS OTHERWISE SPECIFIED TOLERANCE					
UNIT:	DECIMAL	LINEAR	ANGLES		
mm	X.	±0.50	±5°	www.attend.com.tw	
	X.X	±0.25	±3°		
	X.XX	±0.12	±1°		
DRAWN	Tim	2021/06/08	DRAWN NAME:		
CHECKED	Fros	2021/06/08	M.2 Socket, H5.8 E Key 0.5 Pitch G/F, Black, Reel		
APPROVED	Ken	2021/06/08	PRODUCT NO.	123A-58E01	
SCALE	N/A	SHEET	SIZE	FILE NAME	
		3/3	A4	123A-58E01_B_1	