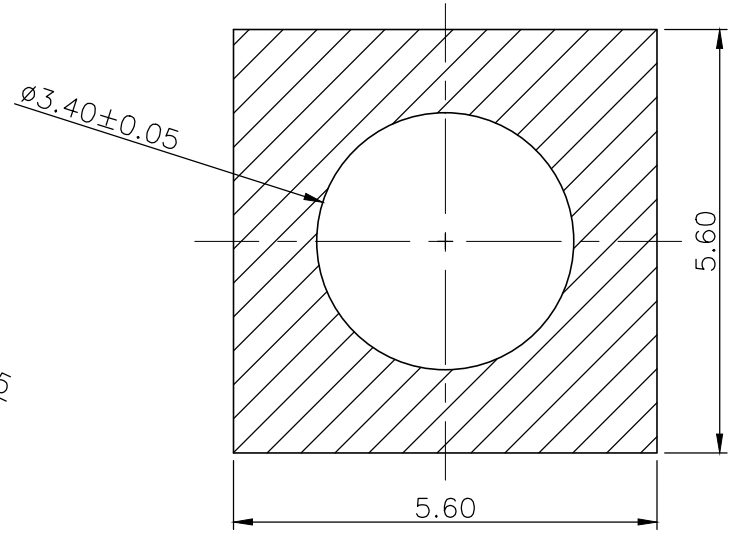
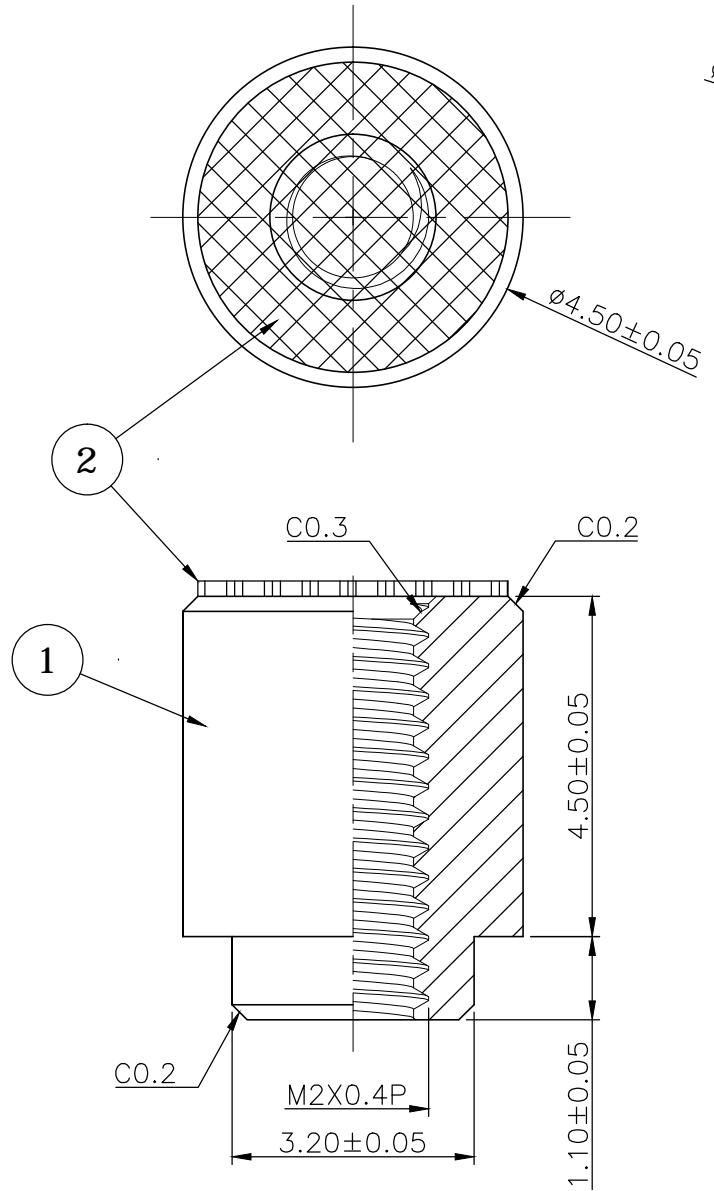


REV.	DESCRIPTION	DRAWN	DATE
1	INITIAL RELEASE	FROS	2015/07/09

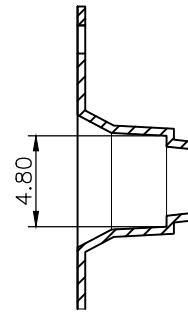
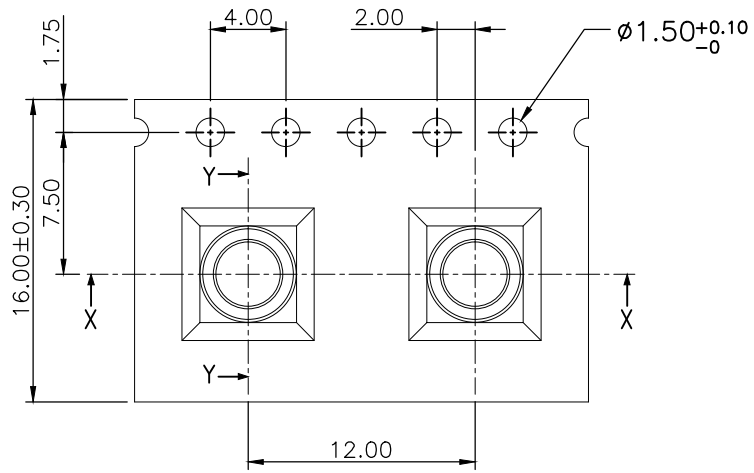


**RECOMMENDED PCB LAYOUT**

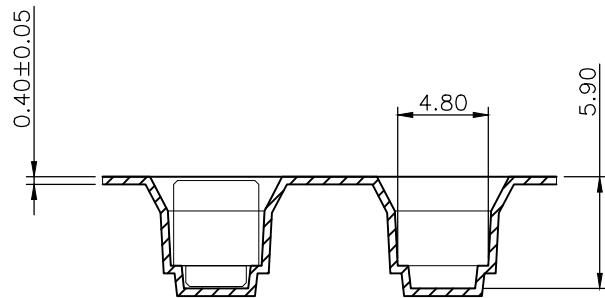
2	MYLAR		
1	NUT	Copper alloy, Tin plated	
NO.	PART NAME	DESCRIPTION	
UNLESS OTHERWISE SPECIFIED TOLERANCE			
UNIT:	DECIMAL	LINEAR	ANGLES
mm	X.	±0.50	±5°
	X.X	±0.25	±3°
	X.XX	±0.12	±1°
			WWW.ATTEND.COM.TW
DRAWN	Fros	2015/07/09	DRAWN NAME:
CHECKED	Zola	2015/07/09	Mini PCI Express Stand Off
APPROVED	Ken	2015/07/09	PRODUCT NO. 119A-NUT-70-R02
SCALE 10/1	SHEET 1/2	SIZE A4	FILE NAME 119A-NUT-70-R02_B_1



REV.	DESCRIPTION	DRAWN	DATE
	SEE SHEET ONE		




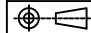
SECTION Y-Y



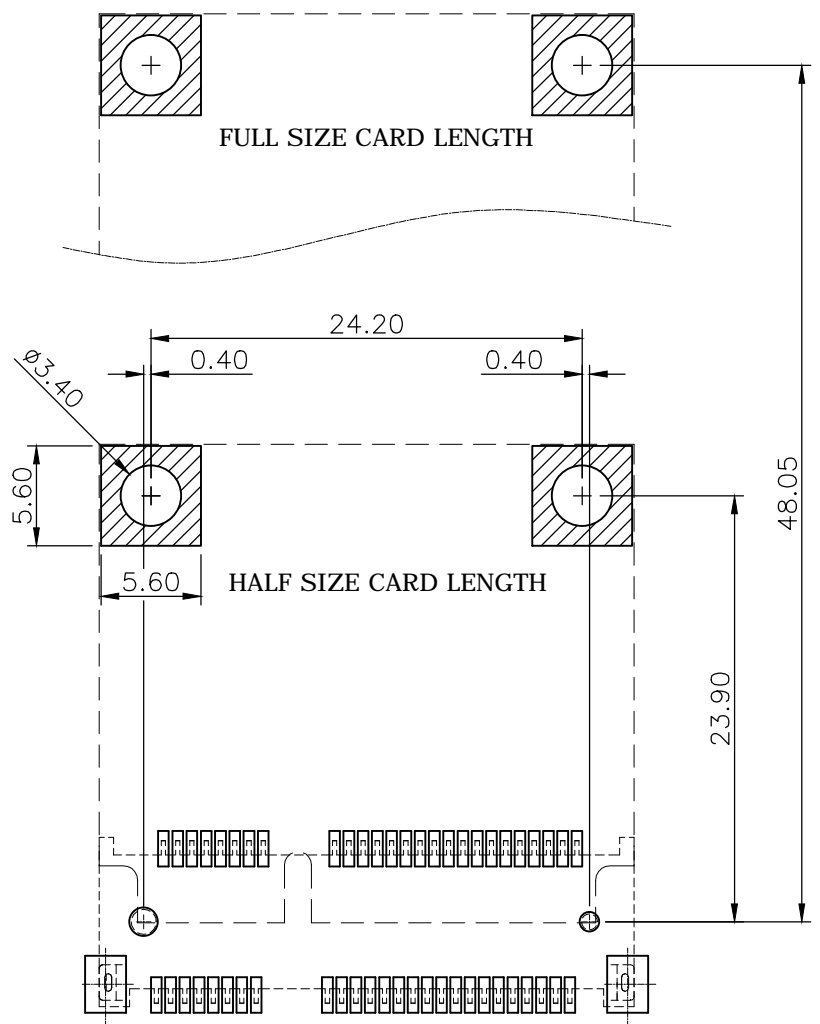
SECTION X-X

**Note:**



1. Part conforms to EIA-481-D standards
2. Material: Conductive polystyrene
3. Component packing to 13 inch reel, 900 pcs

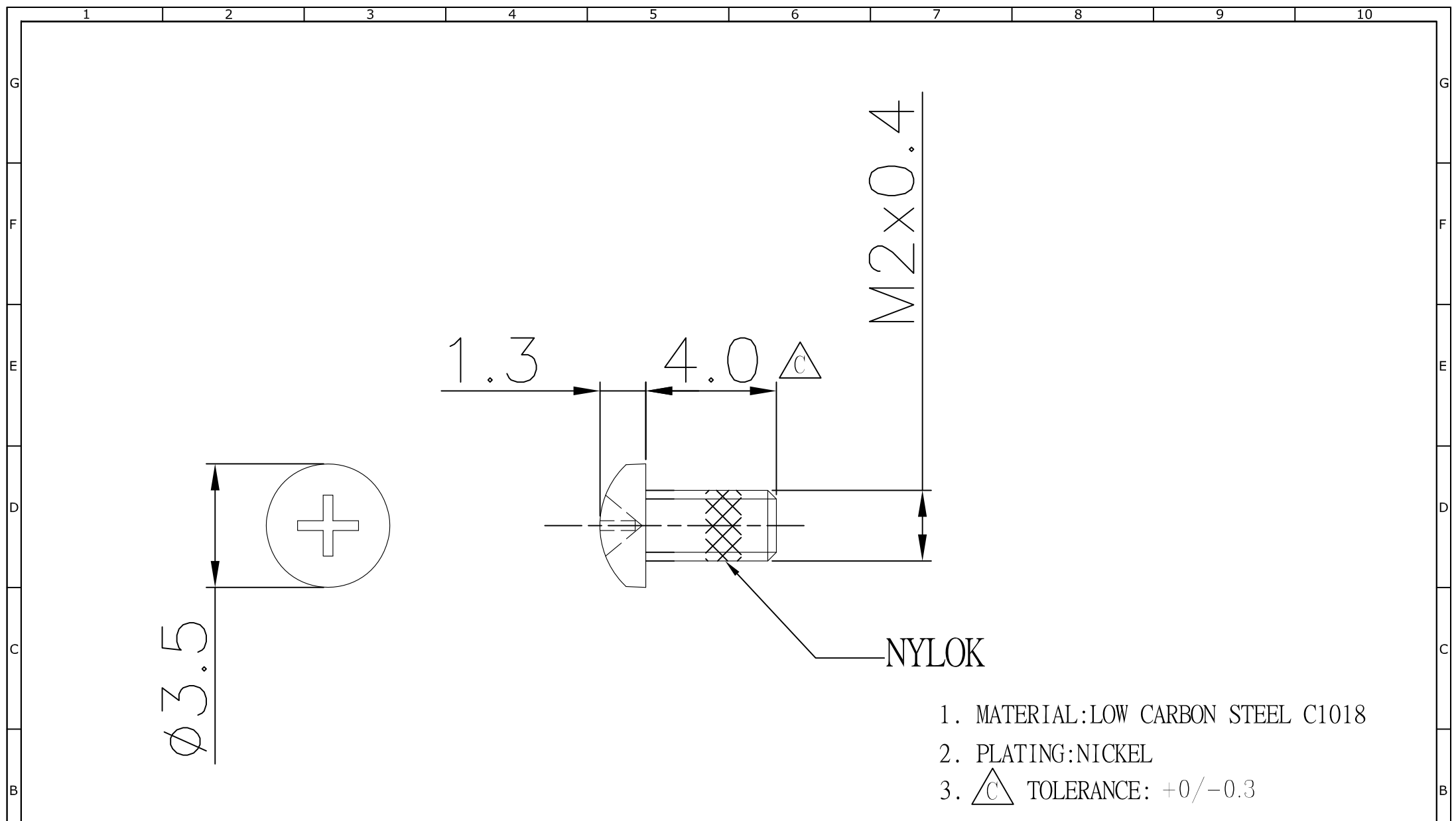
UNLESS OTHERWISE SPECIFIED TOLERANCE				 WWW.ATTEND.COM.TW	
UNIT:	DECIMAL	LINEAR	ANGLES		
mm	X.	±0.50	±5°		
	X.X	±0.25	±3°		
	X.XX	±0.12	±1°		
DRAWN	Fros	2015/07/09	DRAWN NAME:		
CHECKED	Zola	2015/07/09	Mini PCI Express Stand Off		
APPROVED	Ken	2015/07/09	PRODUCT NO.	119A-NUT-70-R02	
	SCALE	SHEET	SIZE	FILE NAME	
	2.5/1	2/2	A4	119A-NUT-70-R02_B_1	

REV.	DESCRIPTION	DRAWN	DATE
1	Initial Release	FROS	2020/04/16



RECOMMEND LAYOUT (TOP VIEW)  
GENERAL TOLERANCE: ±0.05

UNLESS OTHERWISE SPECIFIED TOLERANCE					
UNIT:	DECIMAL	LINEAR	ANGLES		
mm	X.	±0.50	±5°	WWW.ATTEND.COM.TW	
	X.X	±0.25	±3°		
	X.XX	±0.12	±1°		
DRAWN	Fros	2020/04/16	DRAWN NAME: Mini PCI Express Stand Off Layout		
CHECKED	Tim	2020/04/16			
APPROVED	Ken	2020/04/16	PRODUCT NO.		
	SCALE 6.25	SHEET 1/1	SIZE A4	FILE NAME	119A-NUT-XX-R02_LAYOUT




REV.	DESCRIPTION	DATE	REV.	DESCRIPTION	DATE
1			4		
2			5		
3			6		
4			7		
5			8		
6			9		
7			10		

NOTES: UNLESS OTHERWISE SPECIFIED TOLERANCE ANGLES    ANG.    ±5° LINEAR    0.0    ±0.3 0.00    ±0.25 ±0.20	SCALE	AS SHOWN	UNIT: mm
	DRAWN	Willis	2013/01/25
	CHECKED	Angel	2013/01/25
	APPROVED	Ken	2013/01/25

	
www.attend.com.tw	
DRAWN NAME: Mini PCI Express M2 Nylok Screw	
PRODUCT NO.	119A-Screw-R02
FILE NAME	119A-Screw-R02_B_2

SIZE A4 REV. 1.0
---------------------