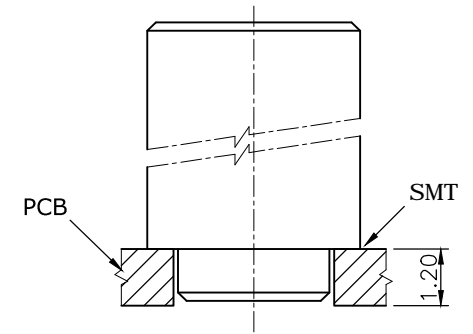
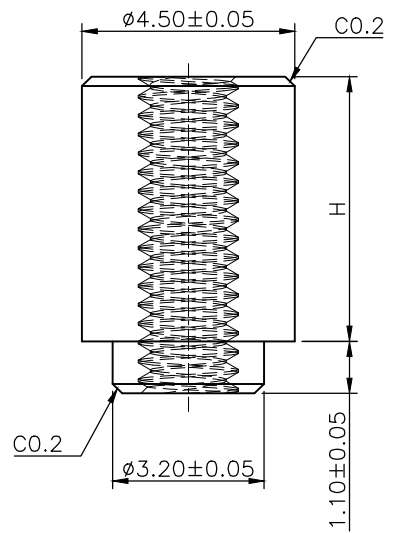
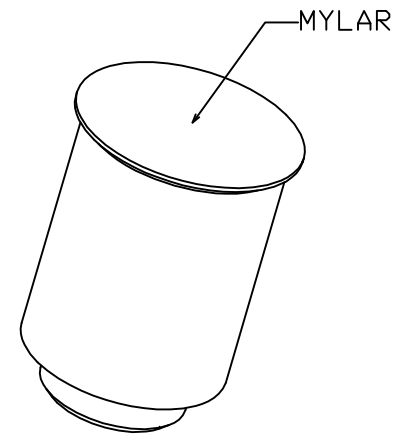
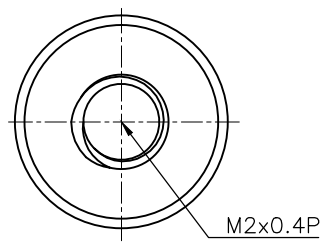
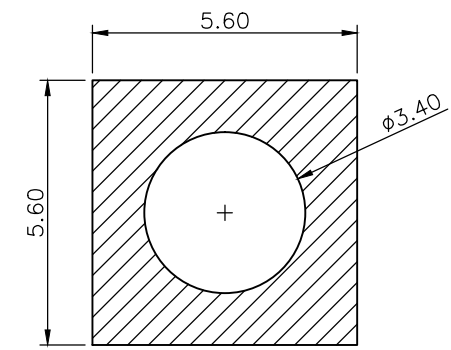


REV.	DESCRIPTION	DRAWN	DATE
2	Revised frame	Willis	2013/01/25
3	Revised frame & p/n table	FROS	2017/06/14
4	ECR2000003	TIM	2020/04/24





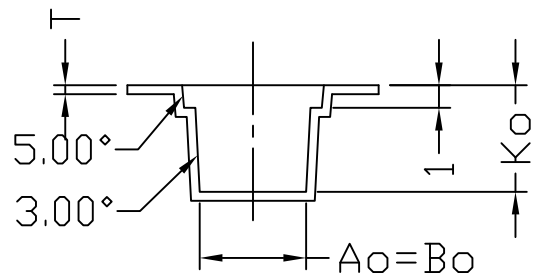
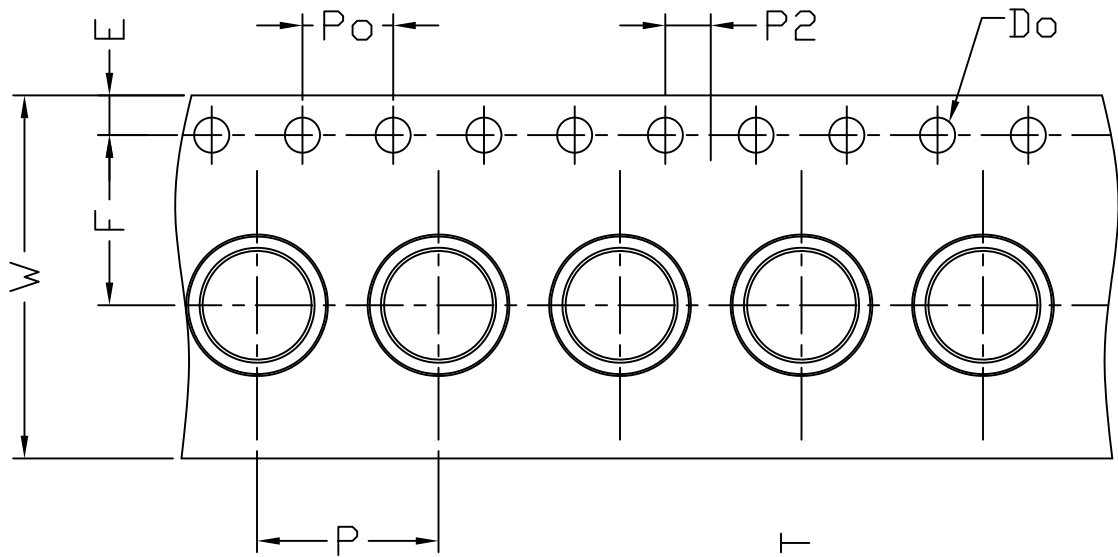
NOTE:
 1. MATERIAL: Copper Alloy
 2. Plating: Sn.



PCB Recommend Layout Pattern


NUT P/N	"H"±0.1	Mini PCI E P/N
119A-NUT-40-R02	1.6	119A-40A00-R02
119A-NUT-40-R02	1.6	119A-40A00-R04
119A-NUT-56-R02	3.2	119A-56A00-R02
119A-NUT-56-R02	3.2	119A-56A00-R04
119A-NUT-80-R02	5.6	119A-80A00-R02
119A-NUT-92-R02	6.8	119A-92A00-R02

UNLESS OTHERWISE SPECIFIED TOLERANCE				 WWW.ATTEND.COM.TW
UNIT:	DECIMAL	LINEAR	ANGLES	
mm	X.	±0.50	±5°	
	X.X	±0.25	±3°	
	X.XX	±0.12	±1°	
DRAWN	Willis	2012/12/10	DRAWN NAME: Mini PCI Express Stand Off	
CHECKED	Angel	2012/12/10		
APPROVED	Ken	2012/12/10	PRODUCT NO.	see p/n table
 SCALE 6.25		SHEET 1/1	SIZE A4	FILE NAME 119A-NUT-XX-R02_B_4

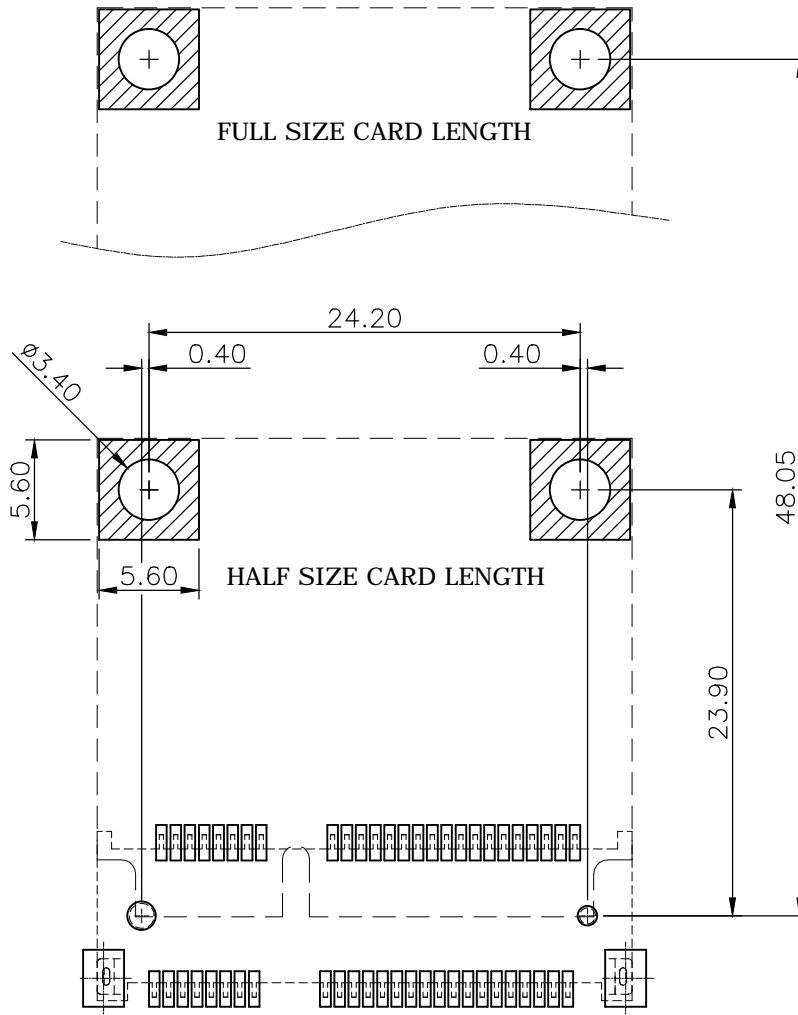


ITEM	DIM
W	16.00 ^{+0.30} _{-0.30}
E	1.75 ^{+0.10} _{-0.10}
F	7.50 ^{+0.10} _{-0.10}
P	8.00 ^{+0.10} _{-0.10}
P ₀	4.00 ^{+0.10} _{-0.10}
P ₂	2.00 ^{+0.10} _{-0.10}
Do	∅1.50 ^{+0.10} _{-0.00}
T	0.40 ^{+0.05} _{-0.05}
A ₀	∅4.70 ^{+0.10} _{-0.10}
B ₀	∅4.70 ^{+0.10} _{-0.10}
K ₀	4.70 ^{+0.10} _{-0.10}

1.MATERIAL: Black Anti-static Polystyrene
 2.Components loaded per 13" reel : 1700pcs

				UNLESS OTHERWISE SPECIFIED TOLERANCE			 www.attend.com.tw		
		ANGLES		ANG.	±5°				
		LINEAR		0.	±0.3				
				0.0	±0.25				
				0.00	±0.20				
		SCALE		AS SHOWN	UNIT: mm				
A		Revise:		DRAWN		Willis	2012/12/10	DRAWN NAME:	
		Revise:		CHECKED		Angel	2012/12/10	Mini PCI Express Stand Off	
		Revise:		APPROVED		Ken	2012/12/10	PRODUCT NO. 119A-NUT-56-R02	
REV.	DESCRIPTION			DATE	REV.	DESCRIPTION			DATE
1									
						SIZE A4		REV. 1.0	FILE NAME 119A-NUT-56-R02_D_3

REV.	DESCRIPTION	DRAWN	DATE
1	Initial Release	FROS	2020/04/16



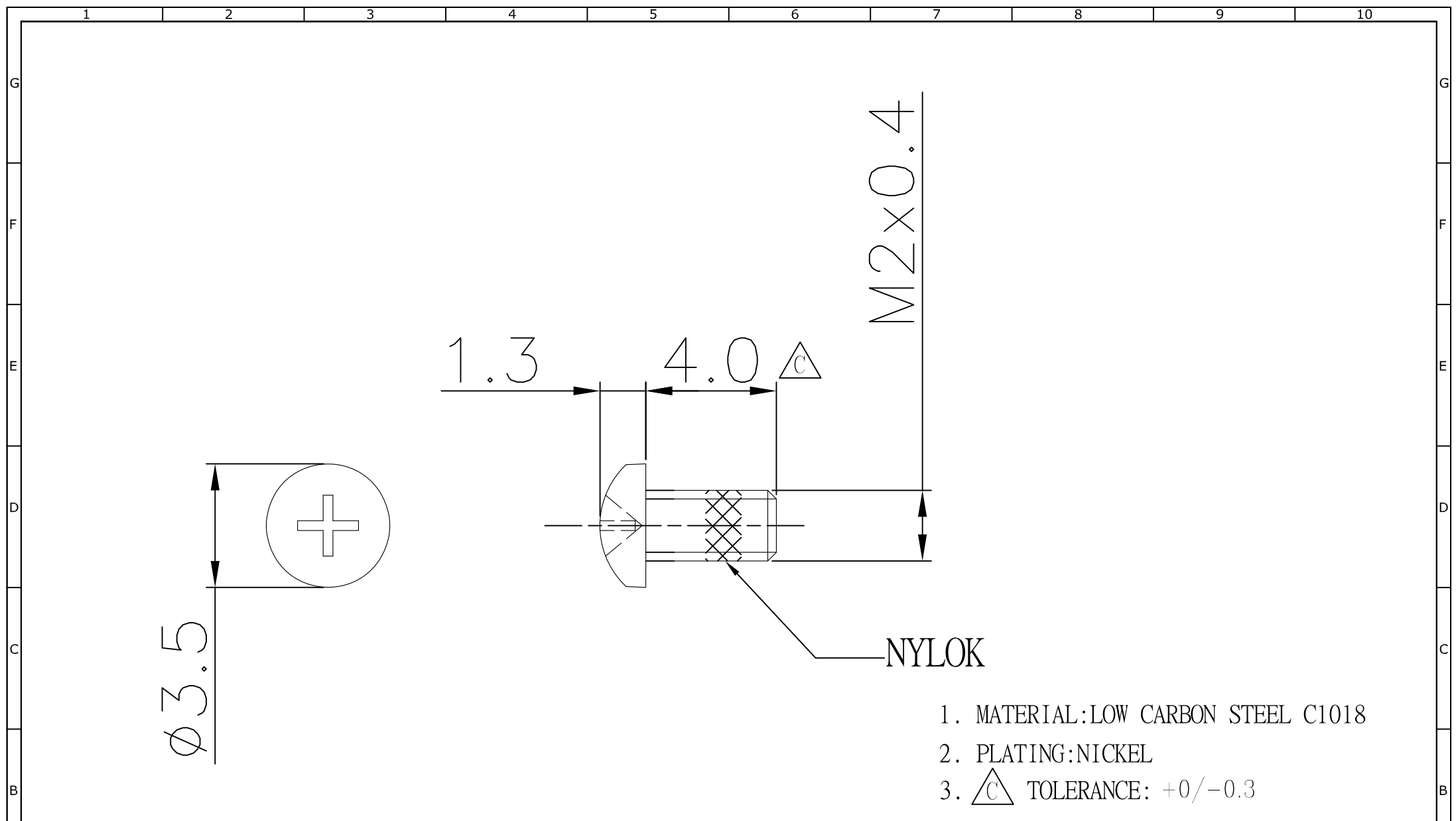
RECOMMEND LAYOUT (TOP VIEW)
GENERAL TOLERANCE: ±0.05

UNLESS OTHERWISE SPECIFIED TOLERANCE			
UNIT:	DECIMAL	LINEAR	ANGLES
mm	X.	±0.50	±5°
	X.X	±0.25	±3°
	X.XX	±0.12	±1°



WWW.ATTEND.COM.TW

DRAWN	Fros	2020/04/16	DRAWN NAME: Mini PCI Express Stand Off Layout	
CHECKED	Tim	2020/04/16		
APPROVED	Ken	2020/04/16	PRODUCT NO.	
	SCALE 6.25	SHEET 1/1	SIZE A4	FILE NAME 119A-NUT-XX-R02_LAYOUT



1. MATERIAL: LOW CARBON STEEL C1018
2. PLATING: NICKEL
3. $\triangle C$ TOLERANCE: +0/-0.3

						NOTES:			UNLESS OTHERWISE SPECIFIED TOLERANCE			 www.attend.com.tw										
									<table border="1" style="width: 100%; border-collapse: collapse;"> <tr> <td>ANGLES</td> <td>ANG.</td> <td>±5°</td> </tr> <tr> <td rowspan="2">LINEAR</td> <td>0.0</td> <td>±0.3</td> </tr> <tr> <td>0.00</td> <td>±0.25</td> </tr> <tr> <td></td> <td></td> <td>±0.20</td> </tr> </table>						ANGLES	ANG.	±5°	LINEAR	0.0	±0.3	0.00	±0.25
ANGLES	ANG.	±5°																				
LINEAR	0.0	±0.3																				
	0.00	±0.25																				
		±0.20																				
						SCALE			AS SHOWN			UNIT: mm										
						DRAWN			Willis			2013/01/25										
						CHECKED			Angel			2013/01/25										
						APPROVED			Ken			2013/01/25										
						DRAWN NAME:			Mini PCI Express M2 Nylok Screw													
						PRODUCT NO.			119A-Screw-R02													
						FILE NAME			119A-Screw-R02_B_2													
									SIZE			A4										
						REV.			1.0													
						REV.																
						DESCRIPTION																
						DATE																
						REV.																
						DESCRIPTION																
						DATE																
						REV.																
						DESCRIPTION																
						DATE																
						REV.																