

REV.	DESCRIPTION	DRAWN	DATE
5	ECR2000003	FROS	2020/04/16
5.1	ECR2000010	FROS	2020/07/24
5.2	ECR2100003	TIM	2021/01/27

**SPECIFICATION:**

1. ELECTRICAL
  - 1.1 Current Rating: 0.5A per pin
  - 1.2 Voltage Rating: 50V AC
  - 1.3 Contact Resistance: 55mΩ Max
  - 1.4 Insulation Resistance: 500MΩ Min
  - 1.5 Dielectric Withstanding Voltage: 300VAC
2. MECHANICAL
  - 2.1 Durability: 50 Cycles
  - 2.2 Total Mating/Unmating Force: 2.3Kgf max.
3. ENVIRONMENTAL
  - 3.1 Operating temperature range: -40°C ~ +85°C
  - 3.2 Storage temperature range: -40°C ~ +85°C
4. SOLDER ABILITY
  - 4.1 Recommended IR-Reflow Temperature: 260°C 10Sec

Date Code: Y WW D

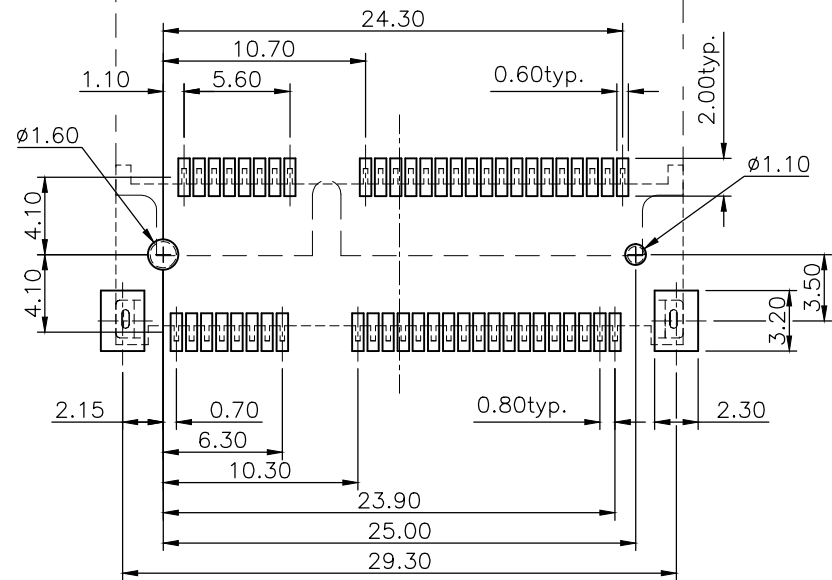
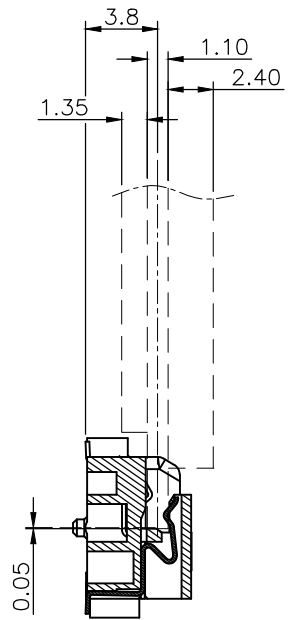
Year | | Day(1~7)  
Week(1~52)

3	HOLDDOWN	Brass, Tin plated under nickel plating	
2	CONTACT	Phosphor Bronze, contact area: G/F solder area: Tin, under plating Nickel	
1	HOUSING	LCP UL94V-0, Black	
NO. PART NAME		DESCRIPTION	
UNLESS OTHERWISE SPECIFIED TOLERANCE			
UNIT:	DECIMAL	LINEAR	ANGLES
mm	X.	±0.50	±5°
	X.X	±0.25	±3°
	X.XX	±0.12	±1°
DRAWN		Willis	2009/11/11
CHECKED		Angel	2009/11/11
APPROVED		Ken	2009/11/11
SCALE		2.25/1	SHEET 1/2
SIZE		A4	
DRAWN NAME:		Mini PCI Express Socket H: 5.6mm	
PRODUCT NO.		119A-56A00-R02	
FILE NAME		119A-56A00-R02_B_5.2	




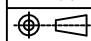
www.attend.com.tw

REV.	DESCRIPTION	DRAWN	DATE
	see sheet one		

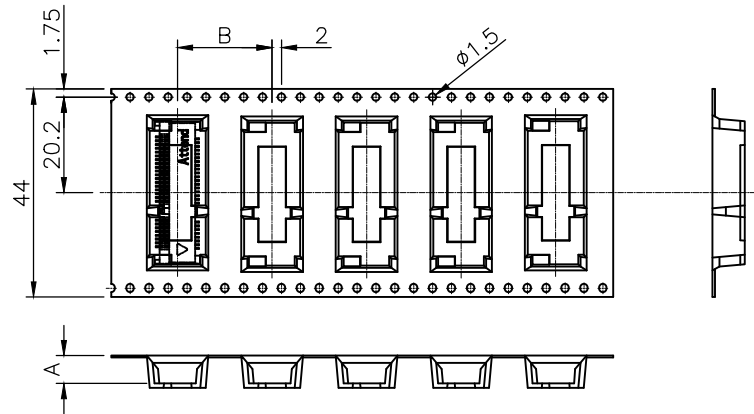
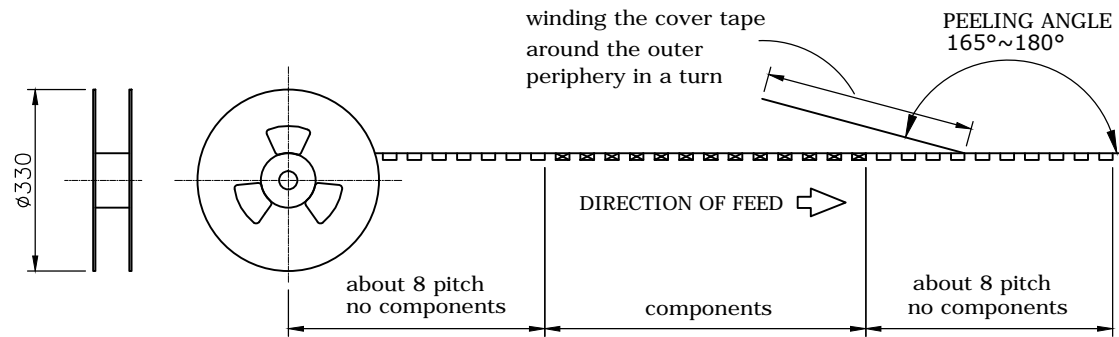


--- CARD  
 --- PAD LAYOUT

**RECOMMEND LAYOUT (TOP VIEW)**  
**GENERAL TOLERANCE: ±0.05**

UNLESS OTHERWISE SPECIFIED TOLERANCE				 www.attend.com.tw	
UNIT:	DECIMAL	LINEAR	ANGLES		
mm	X.	±0.50	±5°		
	X.X	±0.25	±3°		
	X.XX	±0.12	±1°		
DRAWN	Willis	2009/11/11	DRAWN NAME:		
CHECKED	Angel	2009/11/11	Mini PCI Express Socket H: 5.6mm		
APPROVED	Ken	2009/11/11	PRODUCT NO.	119A-56A00-R02	
	SCALE	SHEET	SIZE	FILE NAME	
	2.25/1	2/2	A4	119A-56A00-R02_B_5.2	

REV.	DESCRIPTION	DRAWN	DATE
3	Note 9.2H 300 PCS/REEL	Willis	2010/04/30
4	New frame	Willis	2012/08/03
5	ECR2000003	FROS	2020/04/16



Dimension table:

P/N	DIM. A	DIM. B
119A-40A00-R02	4.30	16.00
119A-56A00-R02	5.90	16.00
119A-80A00-R02	8.30	16.00
119A-92A00-R02	9.50	20.00

## PACKAGING SPECIFICATION:

### 1. MATERIAL

1.1 Embossed Carrier Tape: PS Black

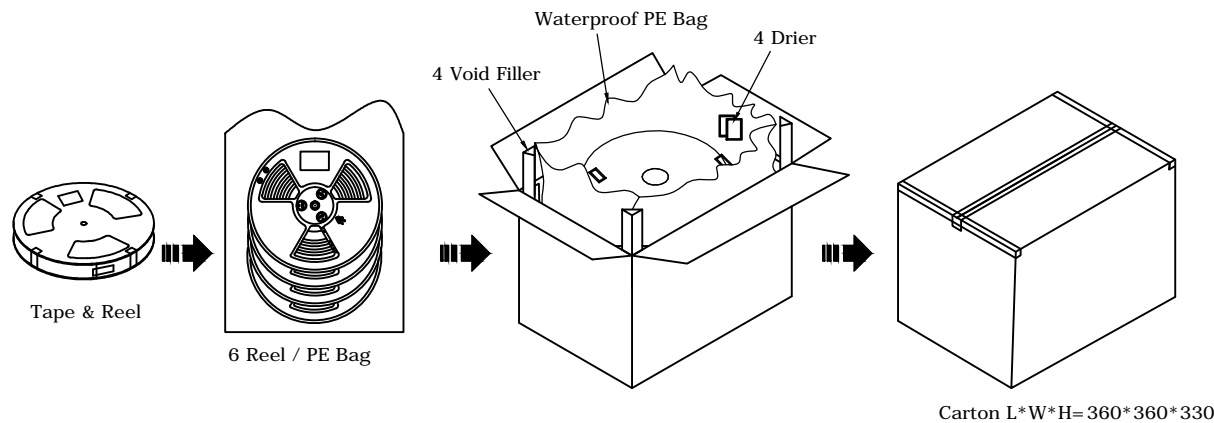
1.2 Top Cover Tape: PET  
20-80g (Peel Speed 300mm/Minute)

1.3 Taping Reel: Plastic

### 2. PACKING

#### 2.1 Quantity:

P/N	PCS/ REEL	PCS/ CARTON
119A-40A00-R02	700	4200
119A-56A00-R02	550	3300
119A-80A00-R02	400	2400
119A-92A00-R02	300	1800



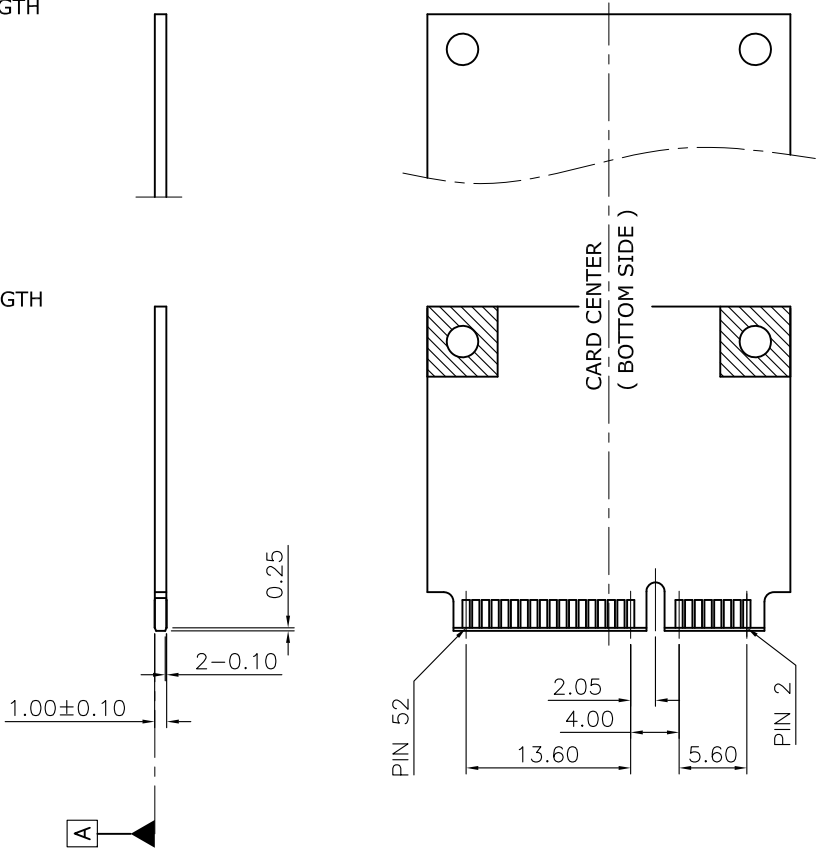
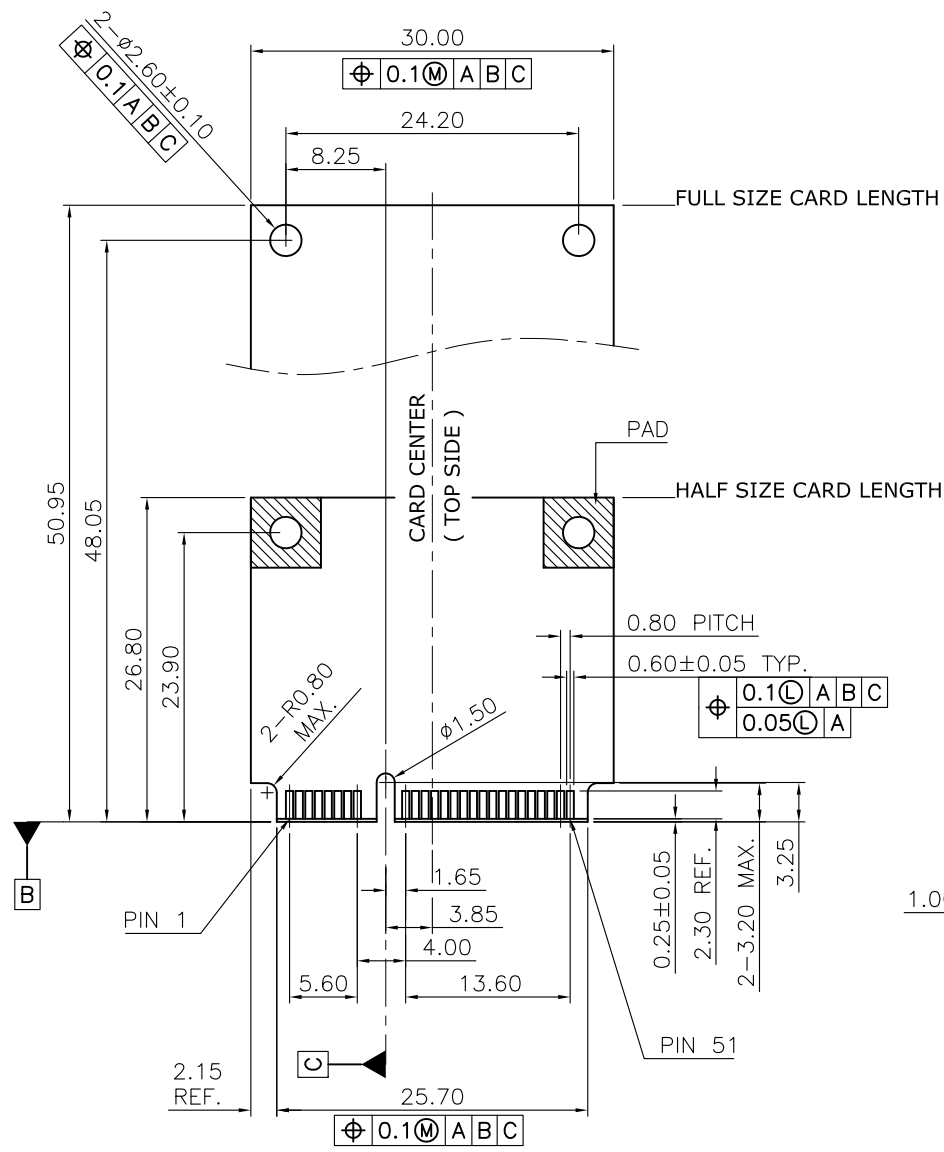
UNLESS OTHERWISE SPECIFIED TOLERANCE			
UNIT:	DECIMAL	LINEAR	ANGLES
mm	X.	±0.50	±5°
	X.X	±0.25	±3°
	X.XX	±0.12	±1°




www.attend.com.tw

DRAWN	Willis	2009/11/11	DRAWN NAME:	Mini PCI Express Socket Packaging drawing
CHECKED	Angel	2009/11/11		
APPROVED	Ken	2009/11/11	PRODUCT NO.	see table
SCALE	n/a	SHEET 1/1	SIZE	A4
			FILE NAME	119A-XXA00-R02_D_5

REV.	DESCRIPTION	DRAWN	DATE
1	Initial Release	FROS	2014/12/03



UNLESS OTHERWISE SPECIFIED TOLERANCE					
UNIT:	DECIMAL	LINEAR	ANGLES		
mm	X.	±0.50	±5°	WWW.ATTEND.COM.TW	
	X.X	±0.25	±3°		
	X.XX	±0.12	±1°		
DRAWN	Fros	2014/12/03	DRAWN NAME:		
CHECKED	Ron	2014/12/03	PHYSICAL DIMENSIONS OF		
APPROVED	Albert	2014/12/03	PCI EXPRESS MINI CARD		
SCALE	1.6/1	SHEET	1/1	SIZE	A4
				PRODUCT NO.	
				FILE NAME	119A-CARD_1