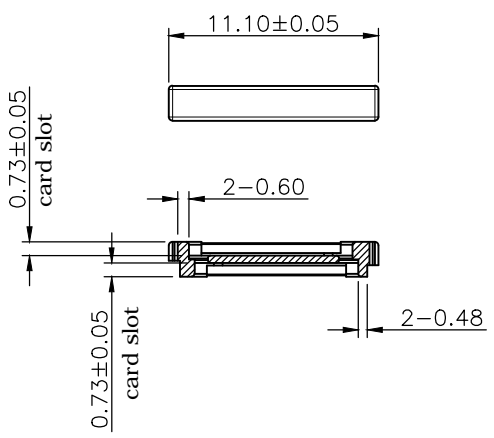
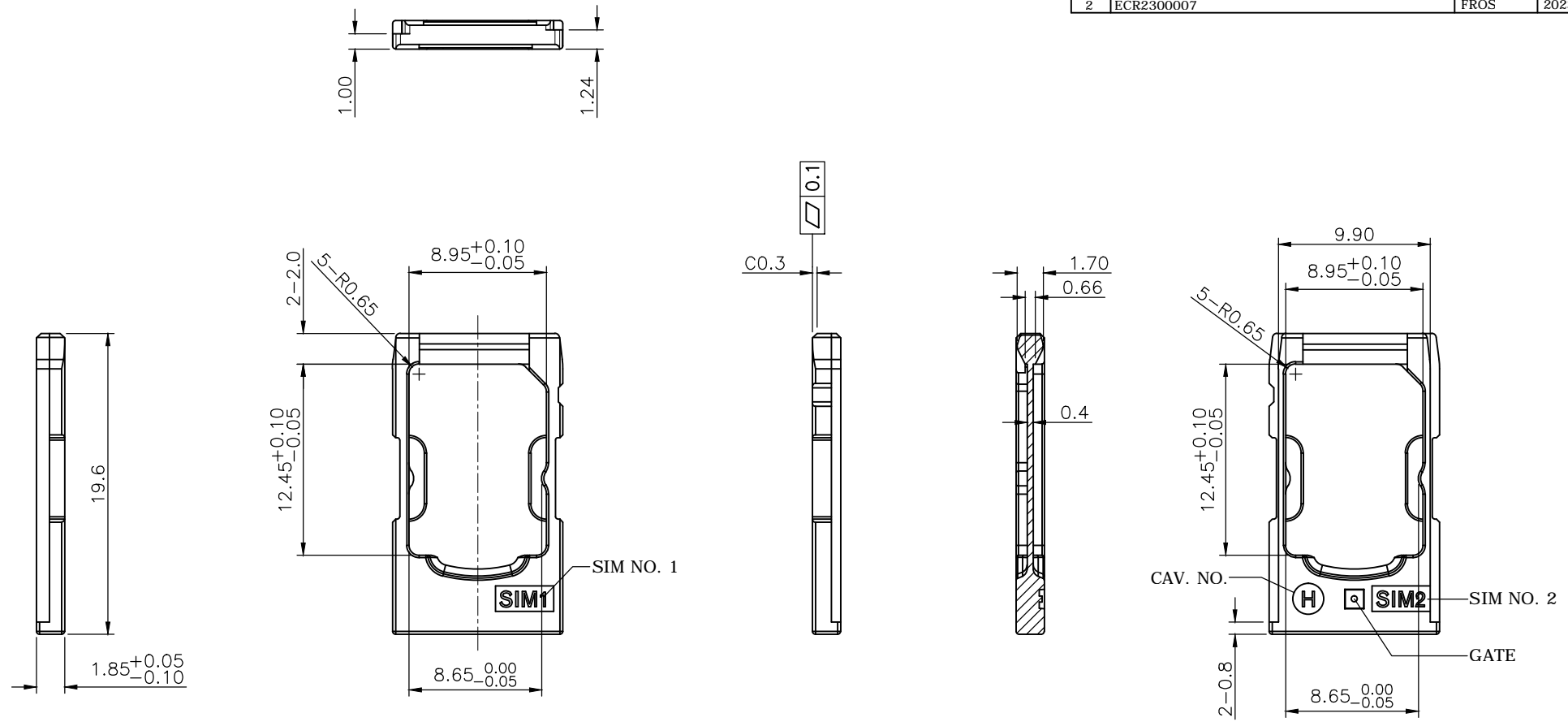

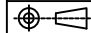


REV.	DESCRIPTION	DRAWN	DATE
1	INITIAL RELEASE	FROS	2021/12/03
2	ECR2300007	FROS	2023/11/01



NOTE:
 1. MATERIAL: PBT, UL 94V-0, Black
 2. Operating & storage temp. range: -40°C~+105°C

UNLESS OTHERWISE SPECIFIED TOLERANCE				 www.attend.com.tw	
UNIT:	DECIMAL	LINEAR	ANGLES		
mm	X.	±0.50	±5°		
	X.X	±0.25	±3°		
	X.XX	±0.12	±1°		
DRAWN	Fros	2021/08/10	DRAWN NAME:		
CHECKED	Tim	2021/08/10	Card Tray, Used for 115U-B100, PBT, Black		
APPROVED	Ken	2021/08/10	PRODUCT NO.	115U-T003	
 SCALE 2.5/1	SHEET 2.5/1	SIZE A4	FILE NAME	115U-T003_B_2	