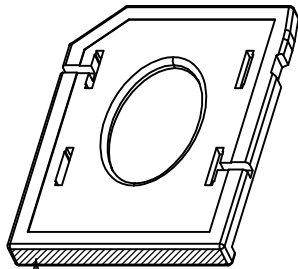
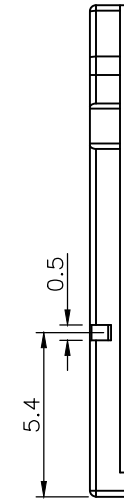
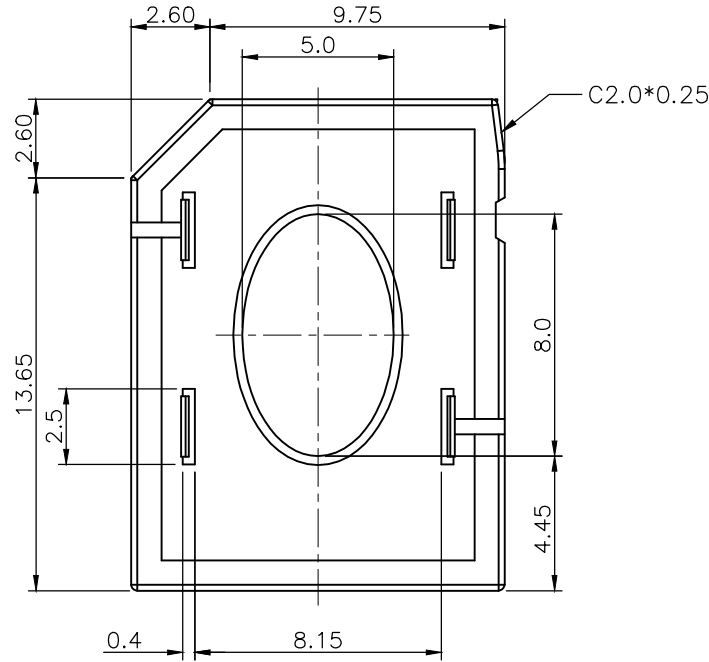
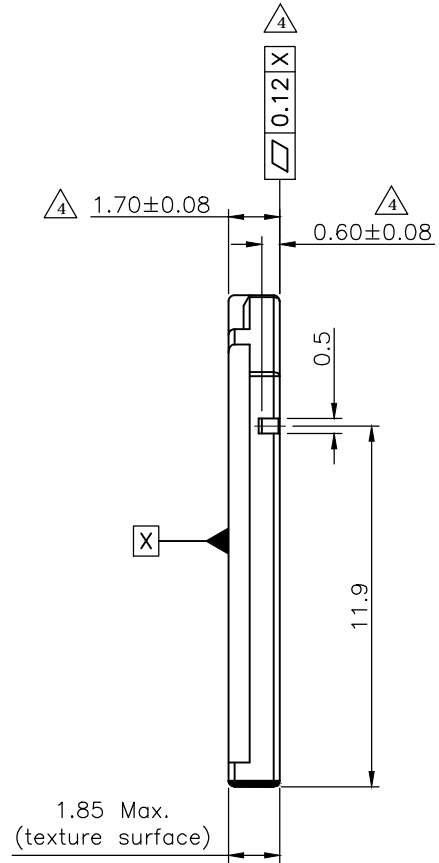


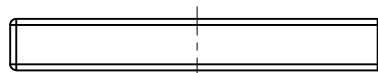
REV.	DESCRIPTION	DRAWN	DATE
2	ECR2100014	FROS	2021/06/28
3	ECR2200002	TIM	2022/01/13
4	ECR2200007	Fros	2022/10/12


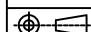
NOTE:

- MATERIAL: PC/ABS, UL 94V-0 Rated, Color black.
- RoHS + HF COMPLIANT PRODUCTS.

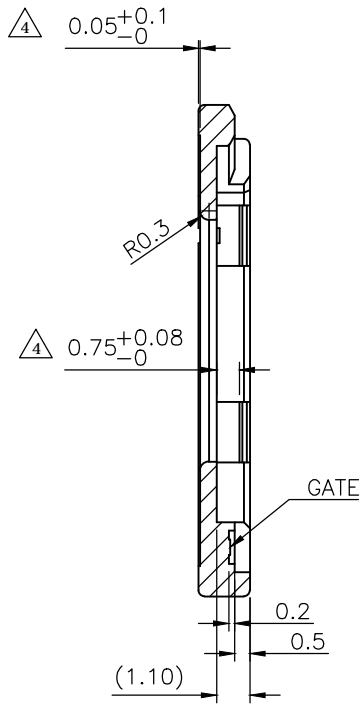
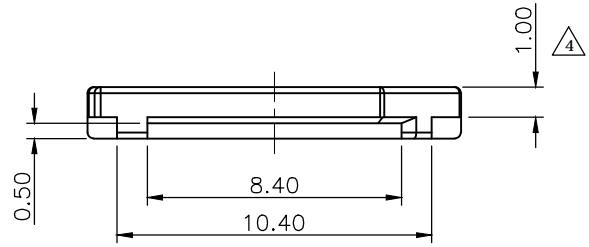
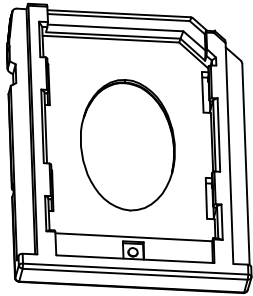


Finish:
Surface texture : MT-1055-1

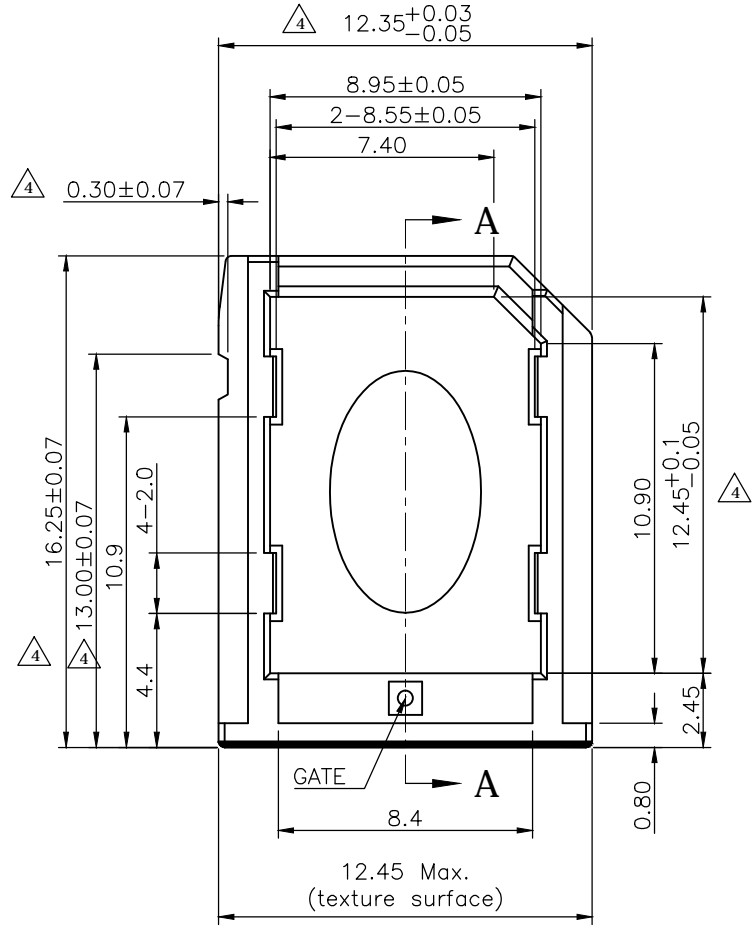



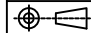
UNLESS OTHERWISE SPECIFIED TOLERANCE					
UNIT:	DECIMAL	LINEAR	ANGLES		
mm	X.	± 0.50	$\pm 5^\circ$	www.attend.com.tw	
	X.X	± 0.25	$\pm 3^\circ$		
	X.XX	± 0.12	$\pm 1^\circ$		
DRAWN	Fros	2020/04/27	DRAWN NAME:		
CHECKED	Tim	2020/04/27	Nano SIM Card Tray, Used for 115U-A101, Bag 3		
APPROVED	Ken	2020/04/27	PRODUCT NO.	115U-T001	
	SCALE	SHEET	SIZE	FILE NAME	115U-T001_B_4
	4/1	1/2	A4		

REV.	DESCRIPTION	DRAWN	DATE
	see sheet one		



SECTION A-A



UNLESS OTHERWISE SPECIFIED TOLERANCE					
UNIT:	DECIMAL	LINEAR	ANGLES		
mm	X.	±0.50	±5°	www.attend.com.tw	
	X.X	±0.25	±3°		
	X.XX	±0.12	±1°		
DRAWN	Fros	2020/04/27	DRAWN NAME:		
CHECKED	Tim	2020/04/27	Nano SIM Card Tray, Used for 115U-A101, Bag		
APPROVED	Ken	2020/04/27	PRODUCT NO.	115U-T001	
	SCALE 4/1	SHEET 2/2	SIZE A4	FILE NAME	115U-T001_B_4