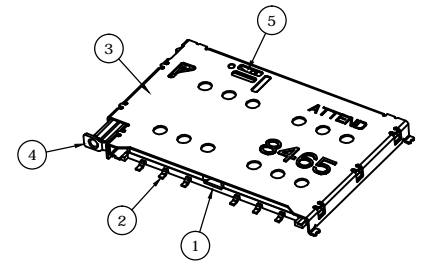


REV.	DESCRIPTION	DRAWN	DATE
1	INITIAL RELEASE	FROS	2019/04/15
2	ECR2300001	TIM	2023/01/04

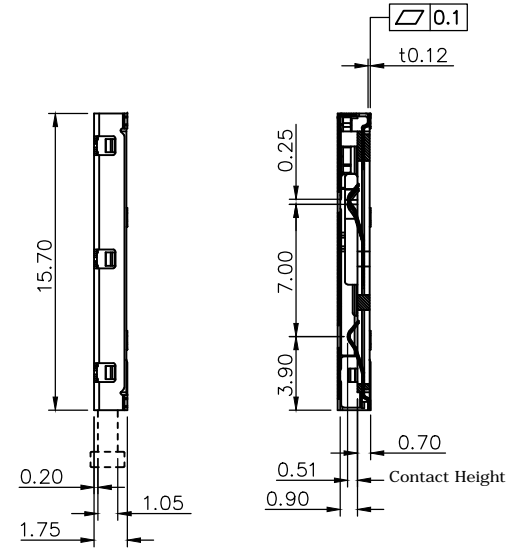
SPECIFICATION:

1. ELECTRICAL
 - 1.1 Current Rating: 0.5A max.
 - 1.2 Voltage Rating: 10VAC/DC
 - 1.3 Contact Resistance: 50mΩ
 - 1.4 Insulation Resistance: 1000MΩ
 - 1.5 Dielectric Withstanding Voltage: 500VAC
2. MECHANICAL
 - 2.1 Durability: 2,000 Cycles
 - 2.2 Tray Insertion Force: 10N max.
 - 2.3 Tray Extraction Force: 3N min.
 - 2.4 Contact Normal Force: 20gf min. per pin
3. ENVIRONMENTAL
 - 3.1 Operating temperature range: -40°C~+105°C
 - 3.2 Storage temperature range: -40°C~+105°C
4. SOLDER ABILITY
 - 4.1 Recommended IR-Reflow Temperature: 260°C

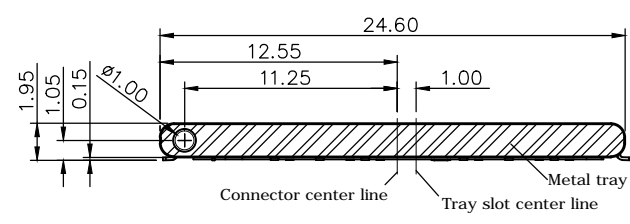
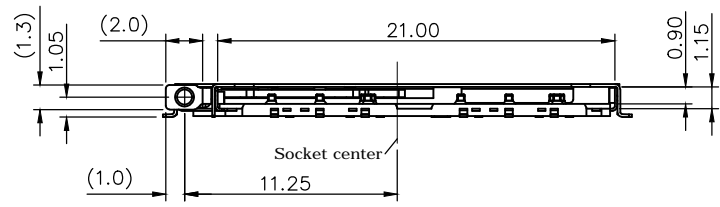
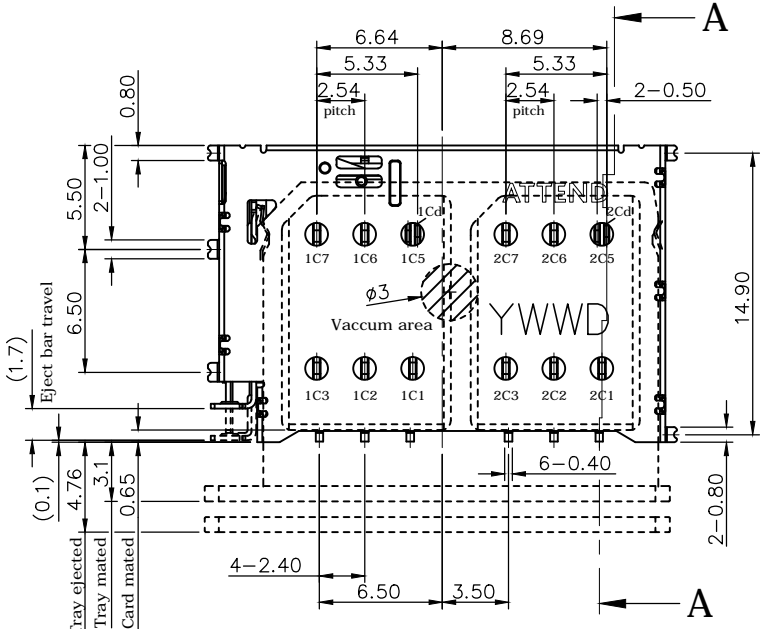
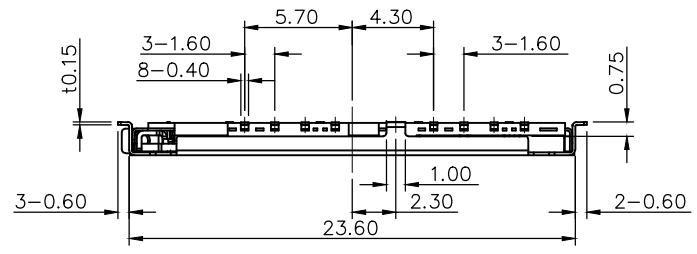
Date code: YWWD
 Y= year 0~9
 WW=Week 1~52
 D= 1~7



SCALE 1.5/1



Section A-A



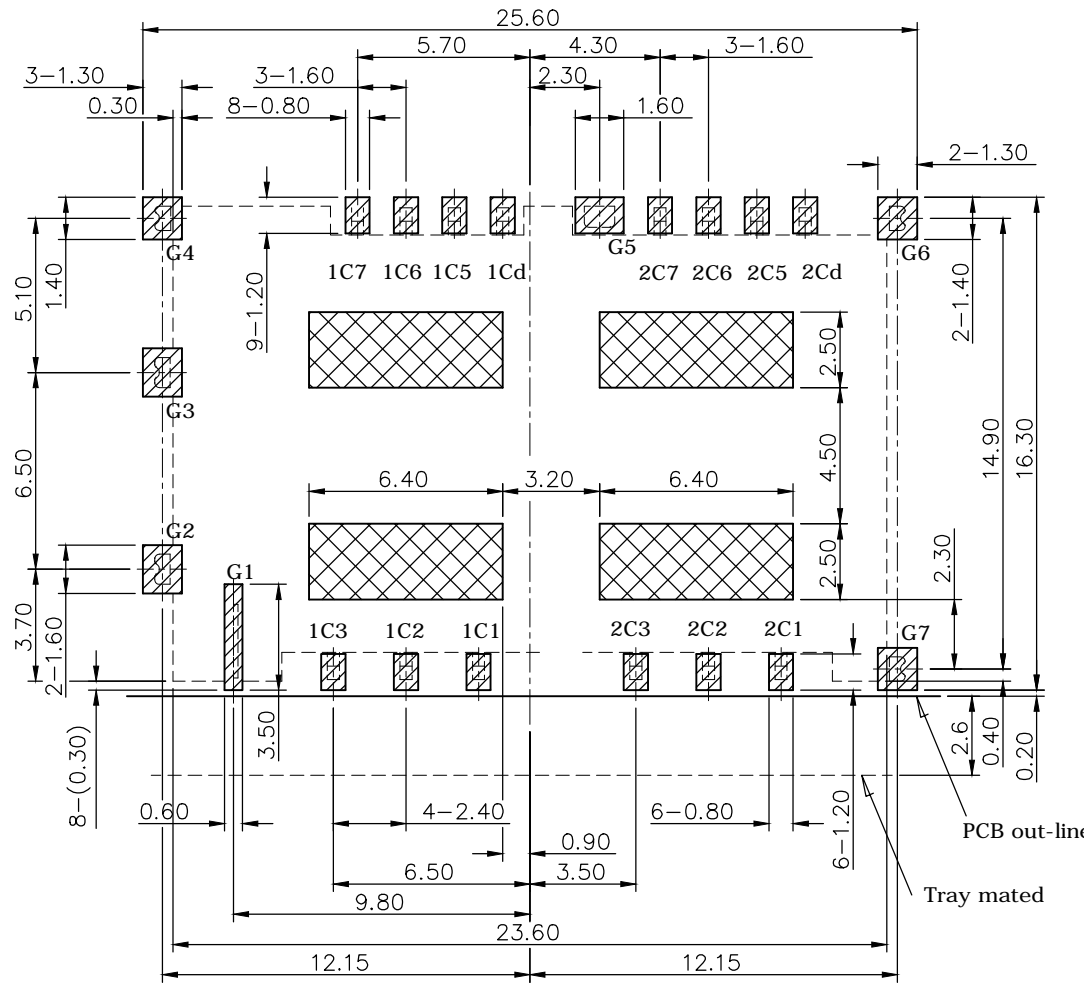
5	CAM	Stainless Steel 0.4t
4	BAR	Stainless Steel 0.25t
3	SHELL	Stainless Steel 0.15t, solder area: Gold flash, under plating 12u" Nickel
2	CONTACT	Copper alloy 0.12t, contact area:30u" Gold plating solder area: Gold flash, under plating 50u" Nickel
1	HOUSING	LCP, UL94V-0, black

NO.	PART NAME	DESCRIPTION		
UNLESS OTHERWISE SPECIFIED TOLERANCE				
UNIT:	DECIMAL	LINEAR	ANGLES	
	mm	X. ±0.50	±5°	
		X.X ±0.25	±3°	
		X.XX ±0.12	±1°	
DRAWN	Fros	2018/10/23	DRAWN NAME: Nano SIM Socket, Dual Card Tray Eject Type, 30u"	
CHECKED	Tim	2018/10/23		
APPROVED	Ken	2018/10/23		
SCALE	2.5/1	SHEET 1/3		SIZE A4
PRODUCT NO.		115S-BS00	FILE NAME	115S-BS00_B_2



www.attend.com.tw

REV.	DESCRIPTION	DRAWN	DATE
	see sheet one		



- Socket
- Solder PAD
- NO pattern area

Pin assignment

Pin no.		Description
1C1	2C1	Vcc
1C2	2C2	RST
1C3	2C3	CLK
1Cd	2Cd	Detect
1C5	2C5	GND
1C6	2C6	Vpp
1C7	2C7	I/O

RECOMMENDED LAYOUT (TOP VIEW)
GENERAL TOLERANCE: ±0.05mm

UNLESS OTHERWISE SPECIFIED TOLERANCE

UNIT:	DECIMAL	LINEAR	ANGLES
mm	X.	±0.50	±5°
	X.X	±0.25	±3°
	X.XX	±0.12	±1°

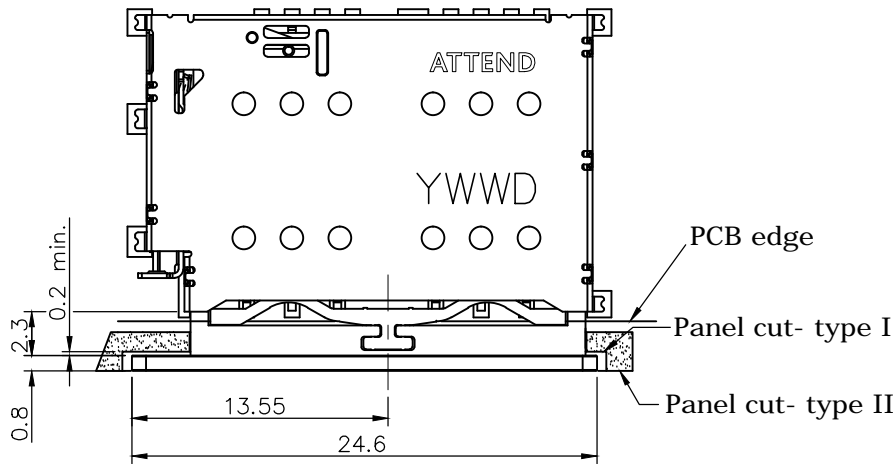


www.attend.com.tw

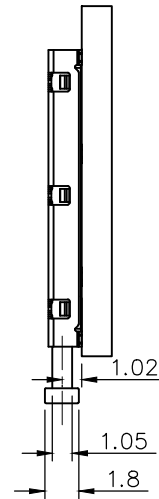
DRAWN	Fros	2018/10/23	DRAWN NAME:	
CHECKED	Tim	2018/10/23	Nano SIM Socket, Dual Card Tray Eject Type, 30u"	
APPROVED	Ken	2018/10/23	PRODUCT NO.	115S-BS00
	SCALE	SHEET	SIZE	FILE NAME
	4/1	2/3	A4	115S-BS00_B_2

Recommendation:

Suggested panel cut (Type I/II) can lead the push bar to touch and press precisely lever. If the design does not follow this instruction, a track for the push bar should be considered for the designer to prevent the deviation of the entry of the push bar.



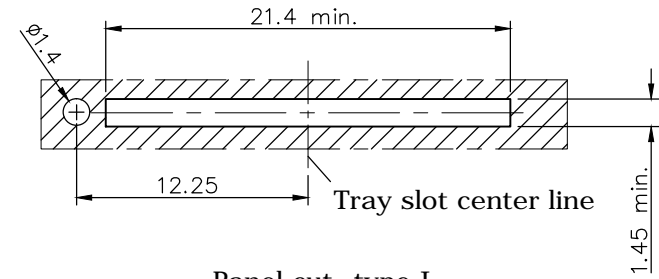
RECOMMEND PANEL CUT OUT



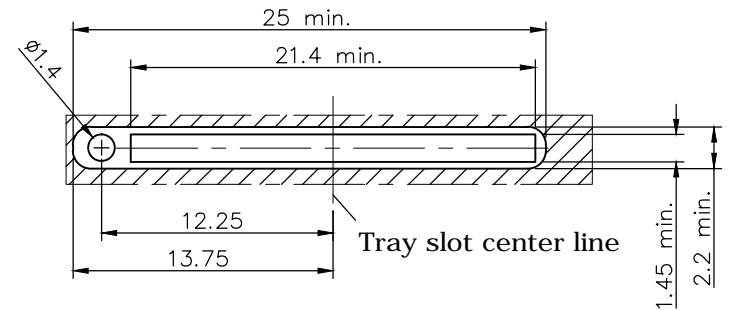
REV.	DESCRIPTION	DRAWN	DATE
	see sheet one		

Tray ejecting types notes:


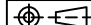
1. Pull out the door/ tray directly
2. Push the BAR PUSH linkage mechanism



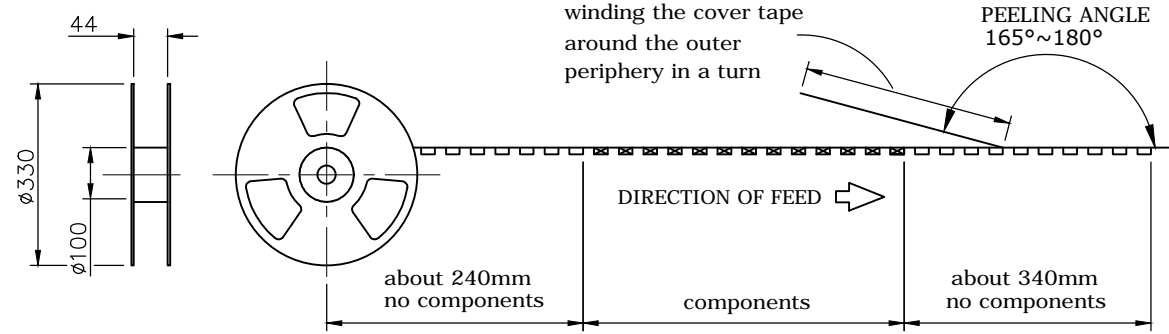
Panel cut- type I



Panel cut- type II

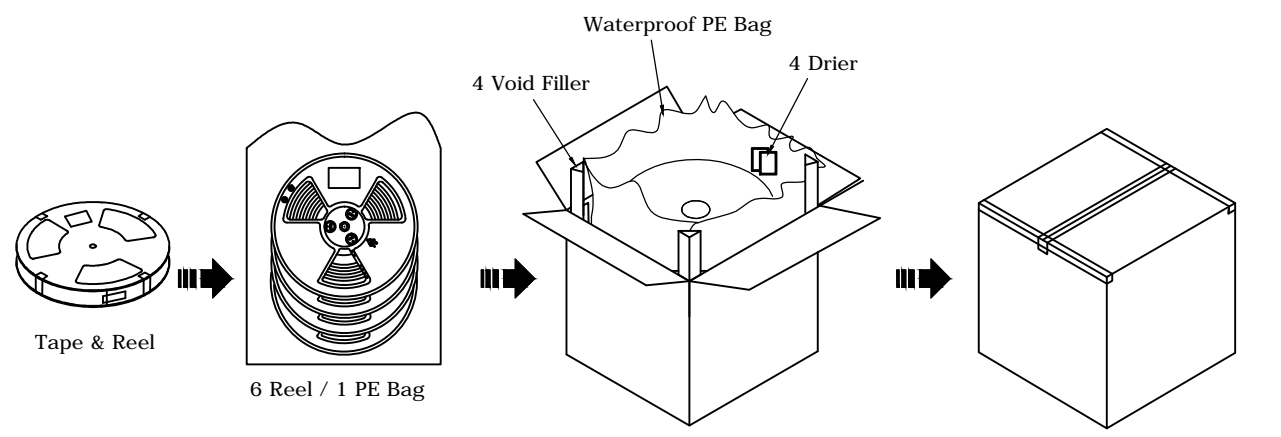
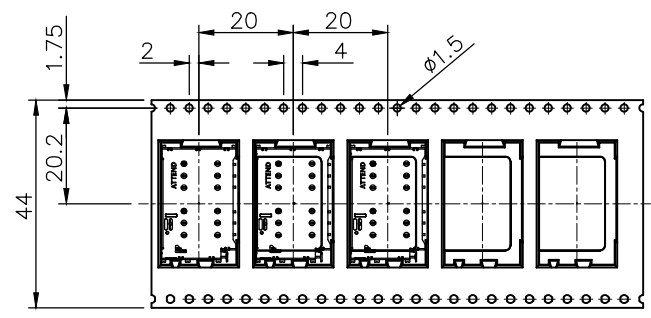
UNLESS OTHERWISE SPECIFIED TOLERANCE					
UNIT:	DECIMAL	LINEAR	ANGLES		
mm	X.	±0.50	±5°	www.attend.com.tw	
	X.X	±0.25	±3°		
	X.XX	±0.12	±1°		
DRAWN	Fros	2018/10/23	DRAWN NAME:		
CHECKED	Tim	2018/10/23	Nano SIM Socket, Dual Card Tray Eject Type, 30u"		
APPROVED	Ken	2018/10/23	PRODUCT NO.	115S-BS00	
	SCALE	SHEET	SIZE	FILE NAME	
	4/1	3/3	A4	115S-BS00_B_2	

REV.	DESCRIPTION	DRAWN	DATE
	see sheet one		




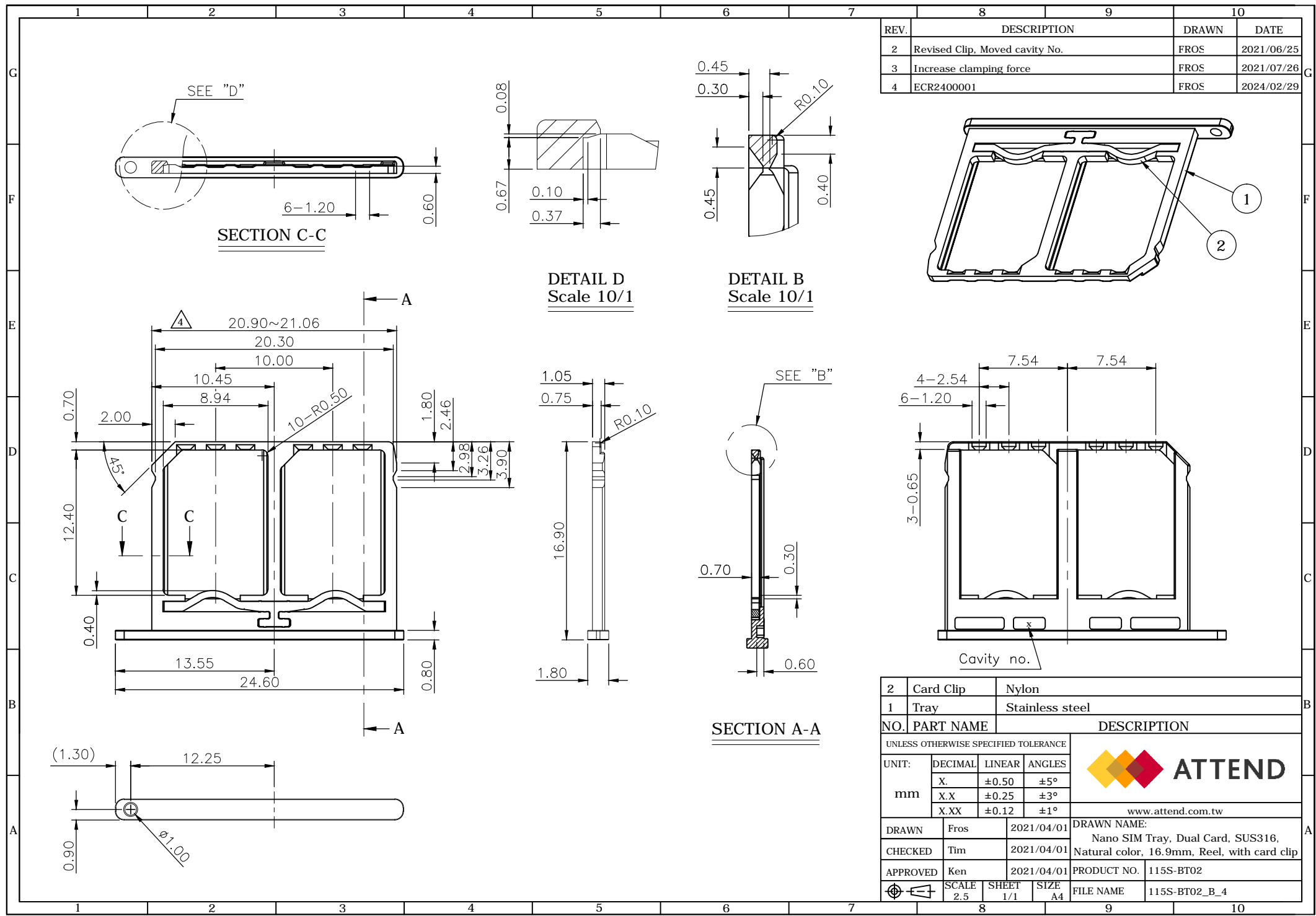
PACKAGING SPECIFICATION:

1. MATERIAL
 - 1.1 Embossed Carrier Tape: PS Black
 - 1.2 Top Cover Tape: PET
20-80g (Peel Speed 300mm/Minute)
 - 1.3 Taping Reel: Plastic
2. PACKING
 - 2.1 Quantity:
 - 1,200 PCS/REEL
 - 6 REEL/Carton
 - 7,200 PCS/Carton



Carton L*W*H= 350*350*320

UNLESS OTHERWISE SPECIFIED TOLERANCE				 www.attend.com.tw
UNIT:	DECIMAL	LINEAR	ANGLES	
mm	X.	±0.50	±5°	
	X.X	±0.25	±3°	
	X.XX	±0.12	±1°	
DRAWN	Fros	2018/10/23	DRAWN NAME:	
CHECKED	Tim	2018/10/23	Nano SIM Socket, Dual Card Tray Eject Type, 30u"	
APPROVED	Ken	2018/10/23	PRODUCT NO. 115S-BS00	
SCALE	N/A	SHEET 1/1	SIZE A4	FILE NAME 115S-BS00_D_1



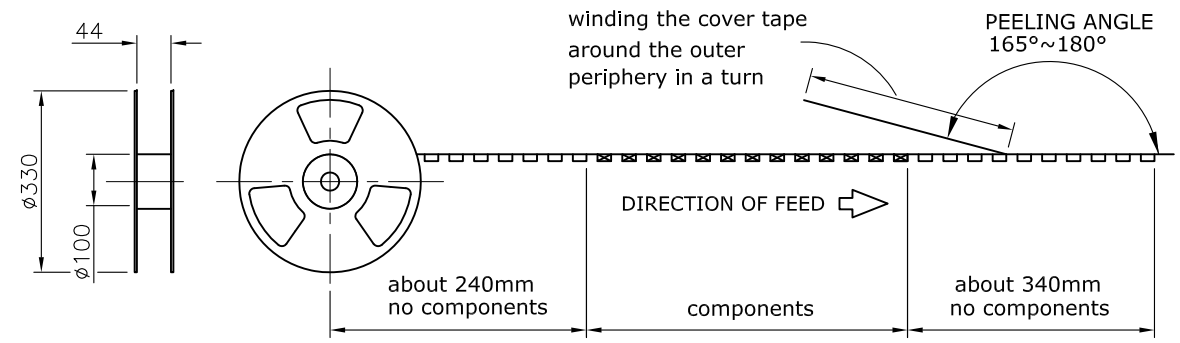
REV.	DESCRIPTION	DRAWN	DATE
2	Revised Clip, Moved cavity No.	FROS	2021/06/25
3	Increase clamping force	FROS	2021/07/26
4	ECR2400001	FROS	2024/02/29

2	Card Clip	Nylon	
1	Tray	Stainless steel	
NO.	PART NAME	DESCRIPTION	
UNLESS OTHERWISE SPECIFIED TOLERANCE			
UNIT:	DECIMAL	LINEAR	ANGLES
	mm	X.X ±0.50	±5°
		X.X ±0.25	±3°
		X.XX ±0.12	±1°
DRAWN	Fros	2021/04/01	DRAWN NAME: Nano SIM Tray, Dual Card, SUS316, Natural color, 16.9mm, Reel, with card clip
CHECKED	Tim	2021/04/01	
APPROVED	Ken	2021/04/01	
SCALE	SHEET	SIZE	
2.5	1/1	A4	



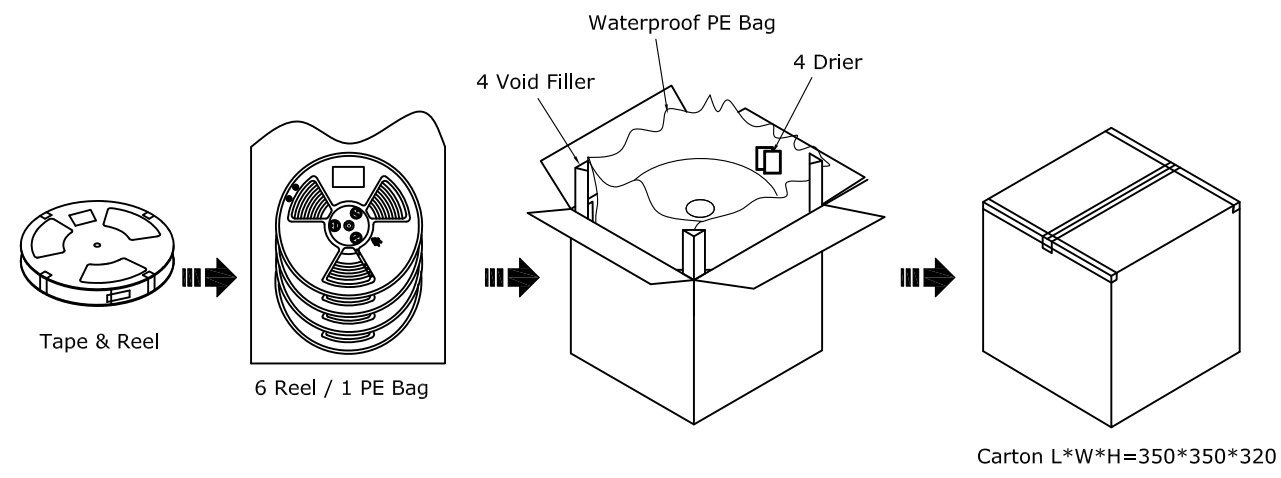
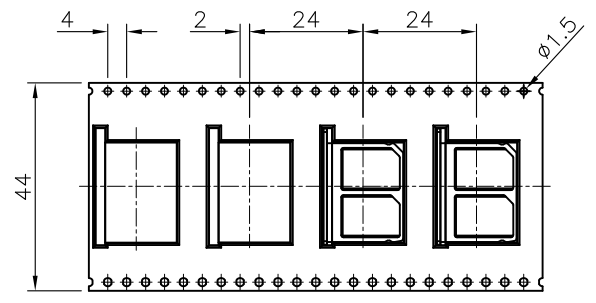
www.attend.com.tw


REV.	DESCRIPTION	DRAWN	DATE
1	INITIAL RELEASE	FROS	2021/04/01



PACKAGING SPECIFICATION:

1. MATERIAL
 - 1.1 Embossed Carrier Tape: PS Black
 - 1.2 Top Cover Tape: PET
20-80g(Peel Speed 300mm/Minute)
 - 1.3 Taping Reel: Plastic
2. PACKING
 - 2.1 Quantity:
 - 1,200 PCS/REEL
 - 6 REEL/Carton
 - 7,200 PCS/Carton



UNLESS OTHERWISE SPECIFIED TOLERANCE					
UNIT:	DECIMAL	LINEAR	ANGLES		
mm	X.	±0.50	±5°	www.attend.com.tw	
	X.X	±0.25	±3°		
	X.XX	±0.12	±1°		
DRAWN	Tim	2018/12/10	DRAWN NAME:		
CHECKED	Fros	2018/12/10	Nano SIM Tray, Dual Card, SUS316,		
APPROVED	Ken	2018/12/10	Natural color, 16.9mm, Reel, with card clip		
SCALE	N/A	SHEET	SIZE	PRODUCT NO.	115S-BT02
		1/1	A4	FILE NAME	115S-BT02_D_1