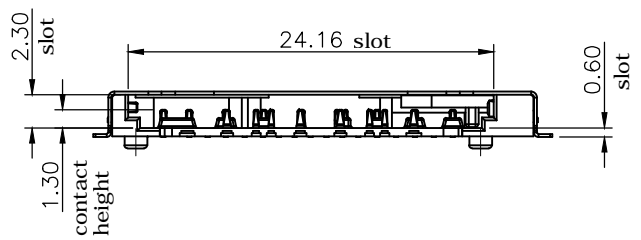
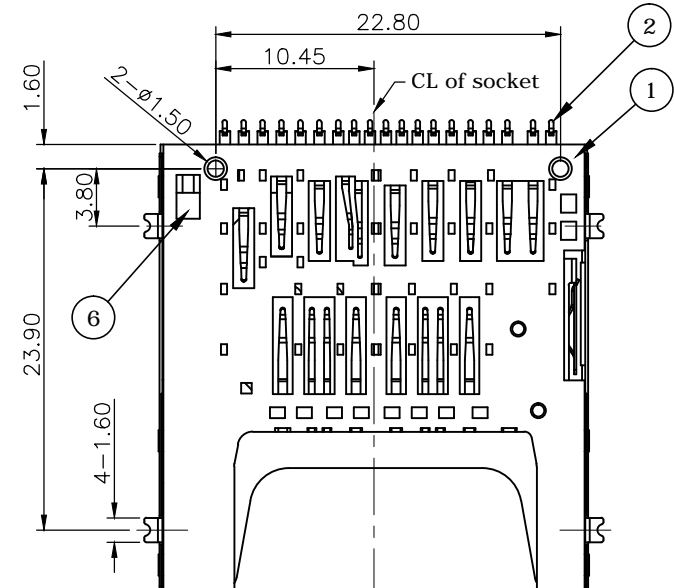
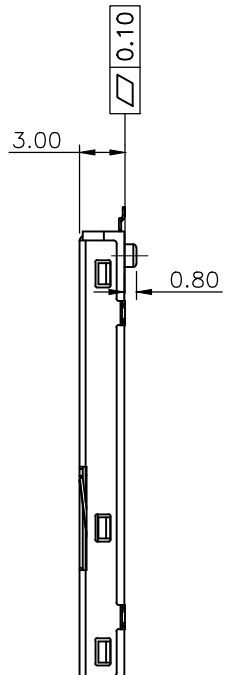
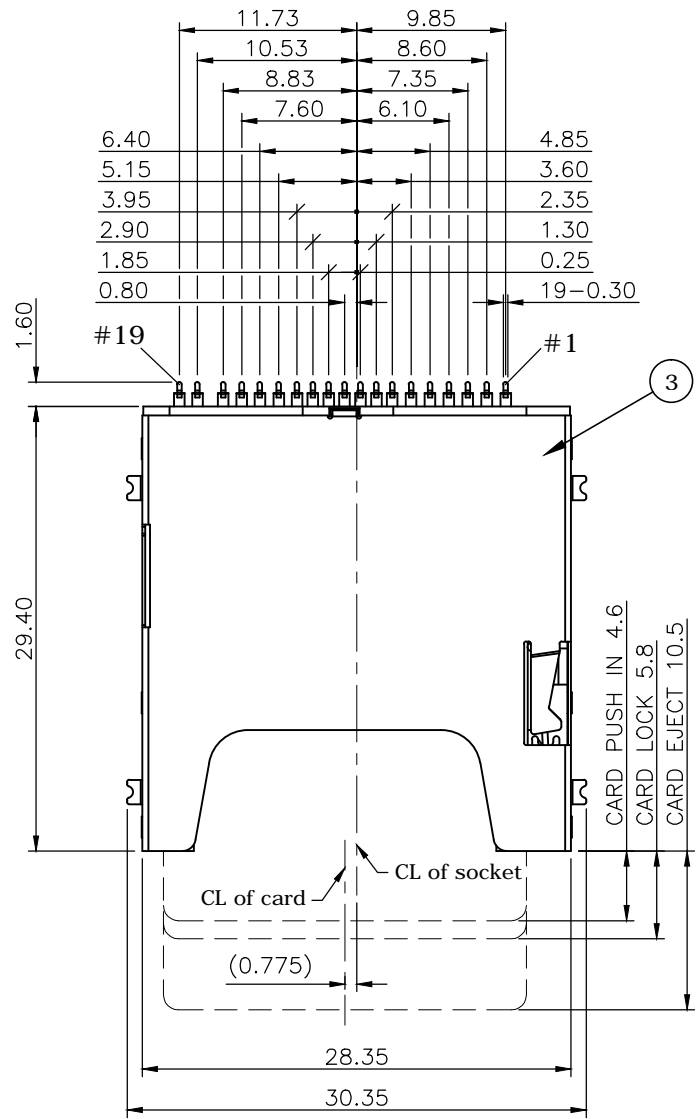


REV.	DESCRIPTION	DRAWN	DATE
1	INITIAL RELEASE	Fros	2023/02/06

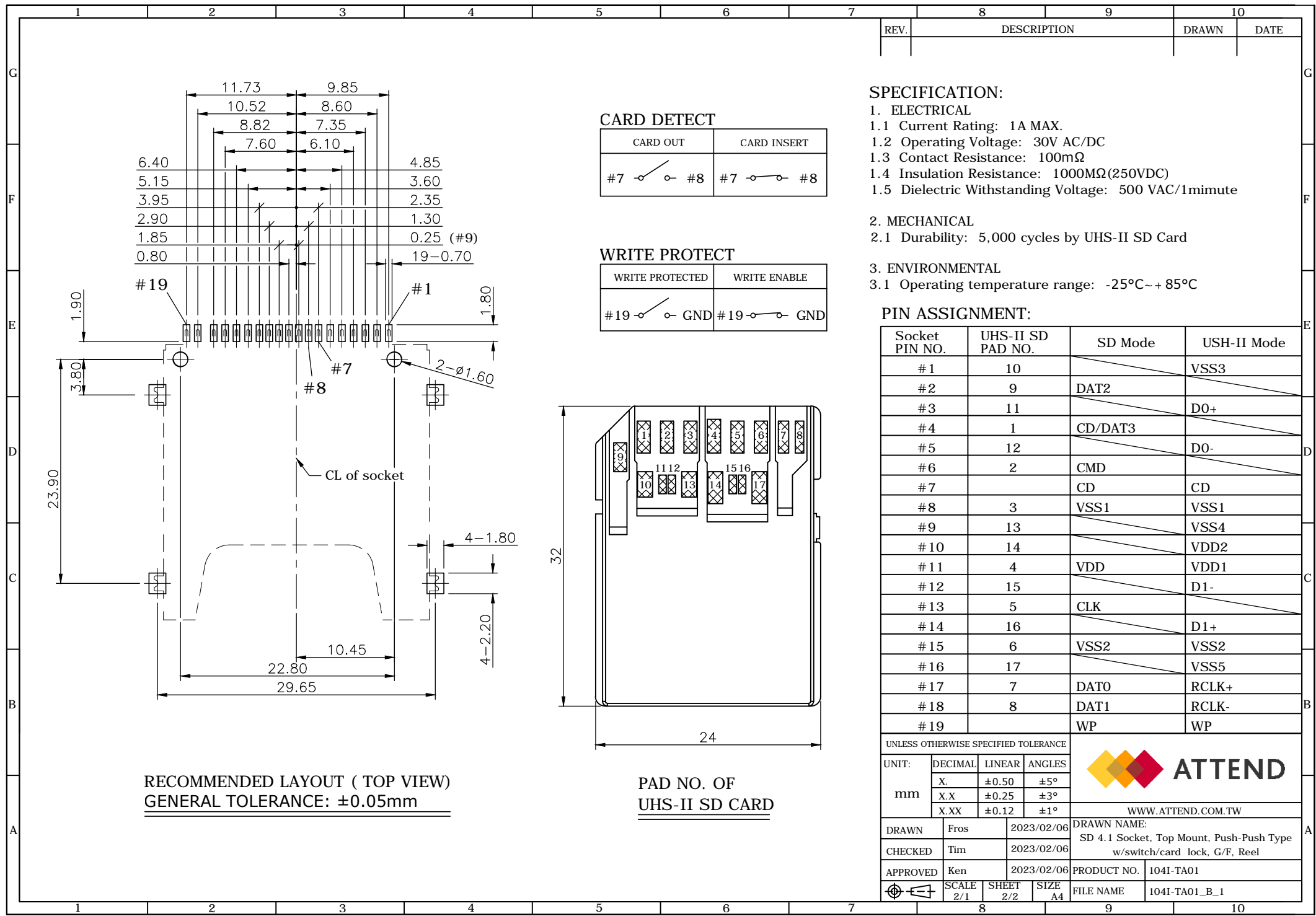


6	SPRING	SWP-B
5	LINK	Stainless Steel
4	SLIDER	LCP, UL94V-0, Black
3	SHELL	Stainless Steel 0.20t, G/F on solder tails, under plating Nickel over all
2	CONTACT	Phosphor Bronze, Gold plating on contact area, Tin plating on solder tail, under plated Nickel
1	HOUSING	LCP, UL94V-0, Black

NO.		PART NAME		DESCRIPTION	
UNLESS OTHERWISE SPECIFIED TOLERANCE					
UNIT:	DECIMAL	LINEAR	ANGLES		
	X.	±0.50	±5°		
	X.X	±0.25	±3°		
	X.XX	±0.12	±1°		
DRAWN	Fros	2023/02/06	DRAWN NAME: SD 4.1 Socket, Top Mount, Push-Push Type, w/switch/card lock, G/F, Reel		
CHECKED	Tim	2023/02/06	PRODUCT NO. 1041-TA01		
APPROVED	Ken	2023/02/06	FILE NAME 1041-TA01_B_1		
SCALE 2/1		SHEET 1/2	SIZE A4		

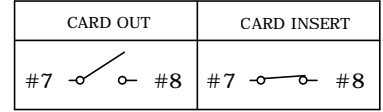


WWW.ATTEND.COM.TW

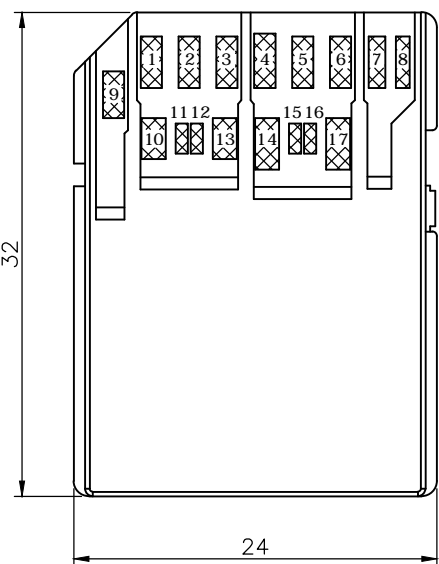
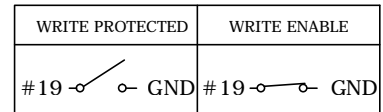


RECOMMENDED LAYOUT (TOP VIEW)
GENERAL TOLERANCE: ±0.05mm

CARD DETECT



WRITE PROTECT



PAD NO. OF
UHS-II SD CARD

SPECIFICATION:

1. ELECTRICAL
 - 1.1 Current Rating: 1A MAX.
 - 1.2 Operating Voltage: 30V AC/DC
 - 1.3 Contact Resistance: 100mΩ
 - 1.4 Insulation Resistance: 1000MΩ(250VDC)
 - 1.5 Dielectric Withstanding Voltage: 500 VAC/1minute
2. MECHANICAL
 - 2.1 Durability: 5,000 cycles by UHS-II SD Card
3. ENVIRONMENTAL
 - 3.1 Operating temperature range: -25°C~+85°C

PIN ASSIGNMENT:

Socket PIN NO.	UHS-II SD PAD NO.	SD Mode	USH-II Mode
#1	10		VSS3
#2	9	DAT2	
#3	11		D0+
#4	1	CD/DAT3	
#5	12		D0-
#6	2	CMD	
#7		CD	CD
#8	3	VSS1	VSS1
#9	13		VSS4
#10	14		VDD2
#11	4	VDD	VDD1
#12	15		D1-
#13	5	CLK	
#14	16		D1+
#15	6	VSS2	VSS2
#16	17		VSS5
#17	7	DAT0	RCLK+
#18	8	DAT1	RCLK-
#19		WP	WP

UNLESS OTHERWISE SPECIFIED TOLERANCE

UNIT:	DECIMAL	LINEAR	ANGLES
	X.	±0.50	±5°
	X.X	±0.25	±3°
	X.XX	±0.12	±1°



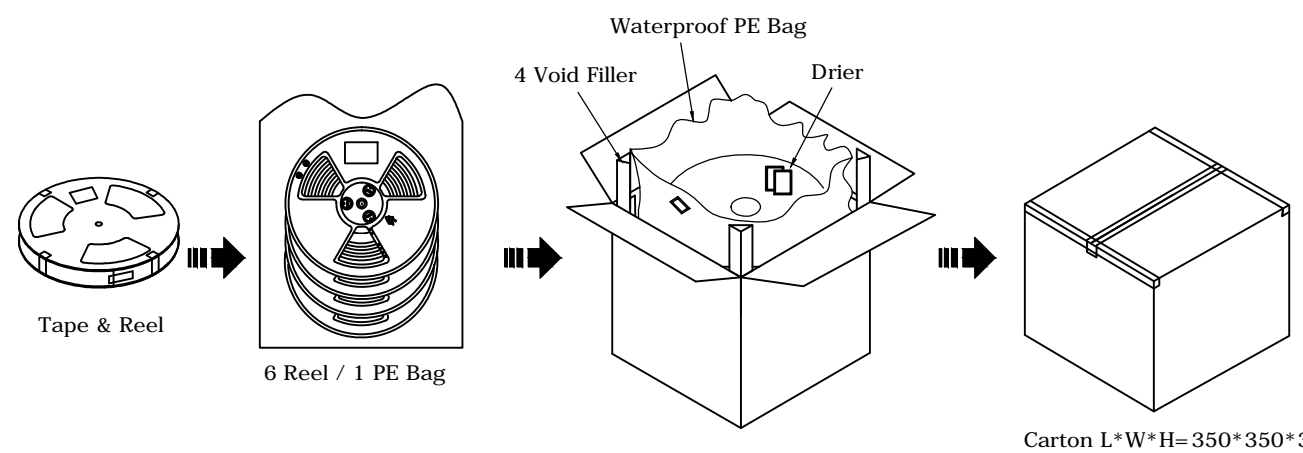
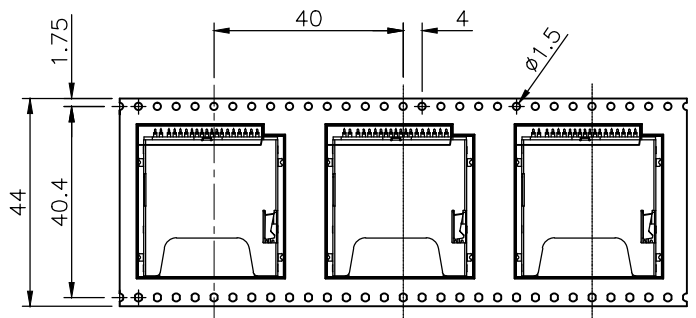
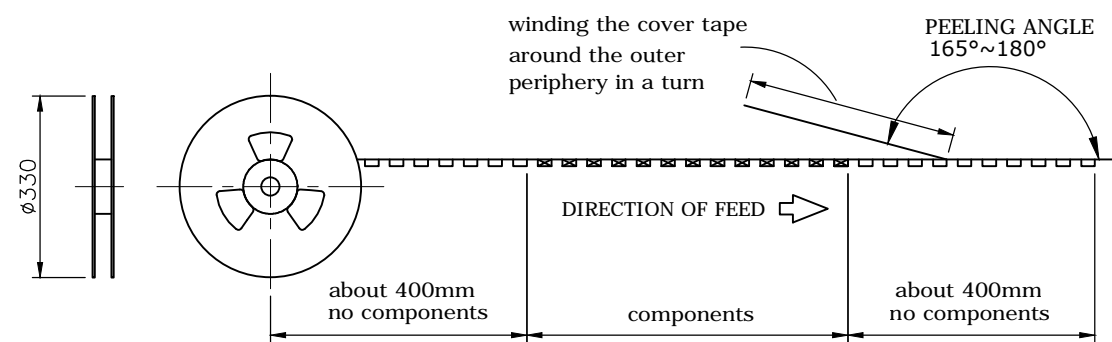
WWW.ATTEND.COM.TW

DRAWN	Fros	2023/02/06	DRAWN NAME: SD 4.1 Socket, Top Mount, Push-Push Type w/switch/card lock, G/F, Reel	
CHECKED	Tim	2023/02/06	PRODUCT NO.	104I-TA01
APPROVED	Ken	2023/02/06	FILE NAME	104I-TA01_B_1
	SCALE 2/1	SHEET 2/2	SIZE A4	

REV.	DESCRIPTION	DRAWN	DATE
1	INITIAL RELEASE	Fros	2023/02/06

PACKAGING SPECIFICATION:

1. MATERIAL
 - 1.1 Embossed Carrier Tape: PS Black
 - 1.2 Top Cover Tape: PET
20-80g (Peel Speed 300mm/Minute)
 - 1.3 Taping Reel: Plastic
2. PACKING
 - 2.1 Quantity:
300 Piece/Reel
1800 Piece/Carton



UNLESS OTHERWISE SPECIFIED TOLERANCE			
UNIT:	DECIMAL	LINEAR	ANGLES
mm	X.	±0.50	±5°
	X.X	±0.25	±3°
	X.XX	±0.12	±1°



WWW.ATTEND.COM.TW

DRAWN	Fros	2023/02/06	DRAWN NAME:	SD 4.1 Socket, Top Mount, Push-Push Type	
CHECKED	Tim	2023/02/06		w/switch/card lock, G/F, Reel	
APPROVED	Ken	2023/02/06	PRODUCT NO.	104I-TA01	
SCALE	0.625	SHEET	1/1	SIZE	A4
			FILE NAME	104I-TA01_D_1	