

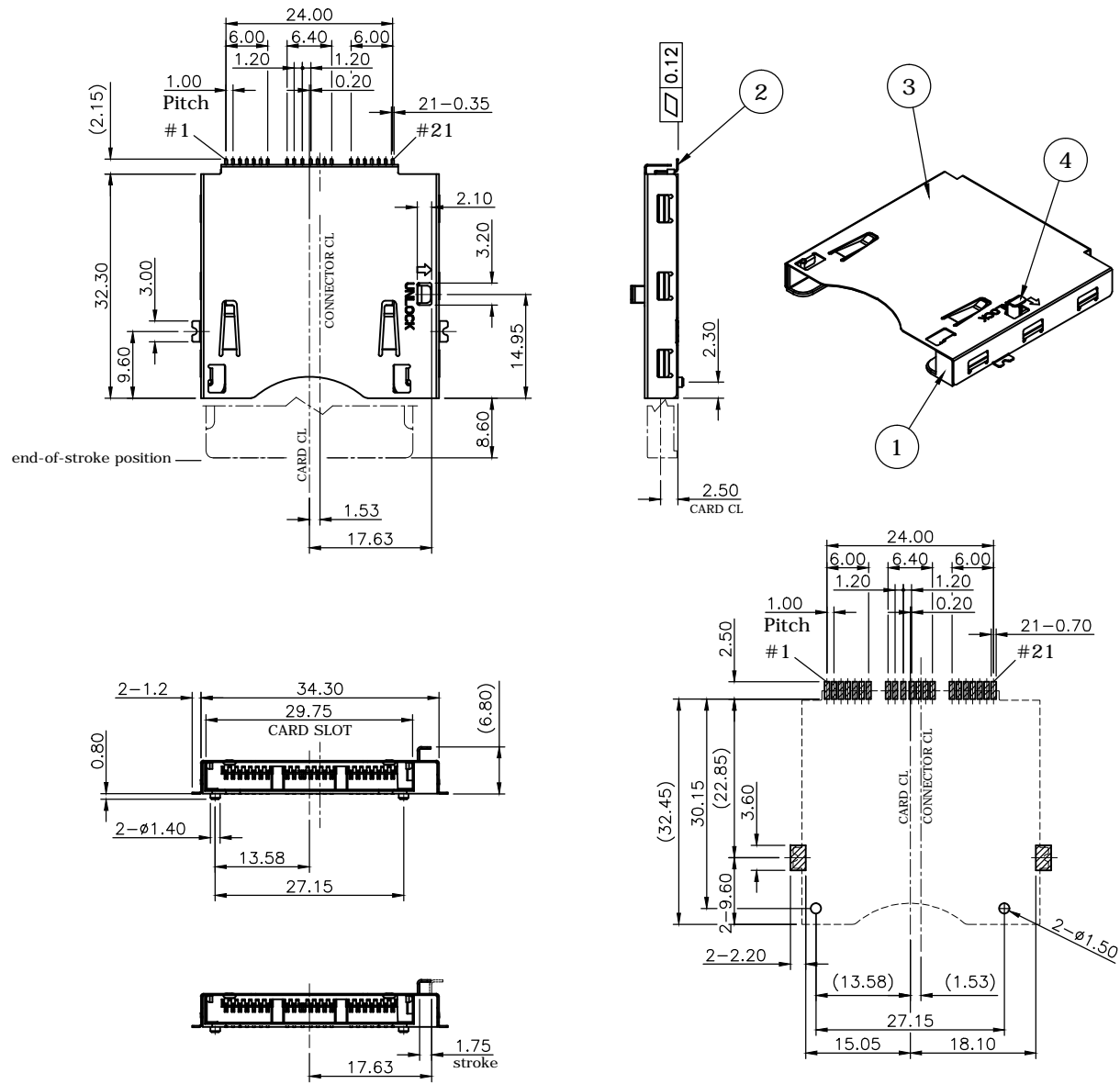
REV.	DESCRIPTION	DRAWN	DATE
1	INITIAL RELEASE	FROS	2018/06/15
2	ECR230726001	TIM	2023/07/26

SPECIFICATION:

- ELECTRICAL**
 - Current Rating: 0.5A
 - Voltage Rating: 5VDC
 - Contact Resistance: 30mΩ
 - Insulation Resistance: 1000MΩ
 - Dielectric Withstanding Voltage: 500VAC
- ENVIRONMENTAL**
 - Operating temperature range: -25°C~+85°C
- SOLDER ABILITY**
 - Recommended Reflow Temperature: 260°C

Pin NO.	SIGNAL	Pin NO.	SIGNAL	Pin NO.	SIGNAL
1	GND	8	Reserved	15	GND
2	PERn1	9	PERST#	16	PERn0
3	PERp1	10	+3.3V	17	PERp0
4	GND	11	CLKREQ#	18	GND
5	PETn1	12	INS#	19	PETn0
6	PETp1	13	REFCLK-	20	PETp0
7	Reserved	14	REFCLK+	21	GND

4	LOCK	Stainless Steel			
3	SHELL	Stainless Steel			
2	CONTACT	Phosphor Bronze, Gold plating over Nickel			
1	HOUSING	LCP, UL94V-0, Black			
NO. PART NAME		DESCRIPTION			
UNLESS OTHERWISE SPECIFIED TOLERANCE					
UNIT:	DECIMAL	LINEAR	ANGLES		
	X.	±0.50	±5°		
	X.X	±0.25	±3°		
	X.XX	±0.12	±1°		
www.attend.com.tw					
DRAWN	Fros	2018/06/15	DRAWN NAME: CFexpress Type B Host Socket Push-Pull w/Lock Type, 15u"		
CHECKED	Tim	2018/06/15			
APPROVED	Ken	2018/06/15	PRODUCT NO. 101M-TE30		
SCALE	1/1	SHEET	1/1	FILE NAME	101M-TE30_B_2
			SIZE		A4



RECOMMENDED LAYOUT(TOP VIEW)
GENERAL TOLERANCE: ±0.05mm