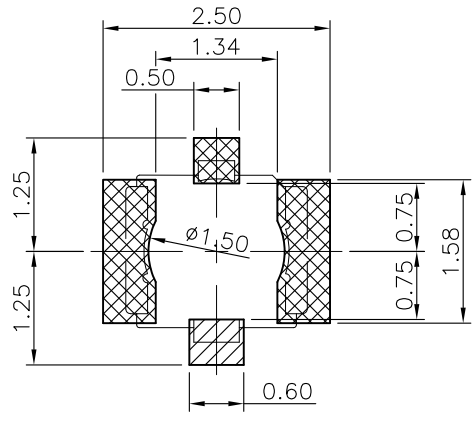
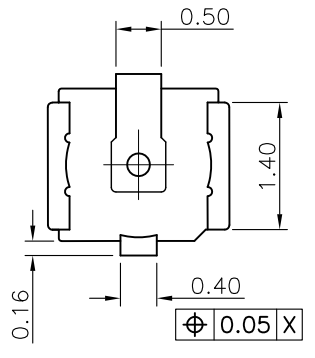
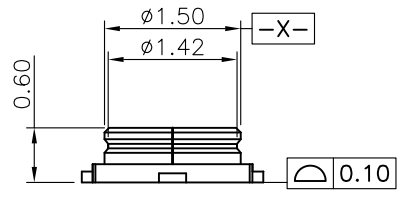
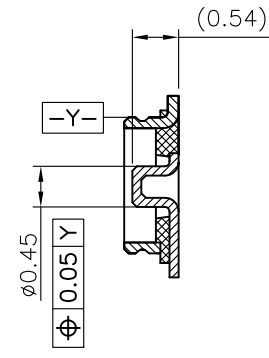
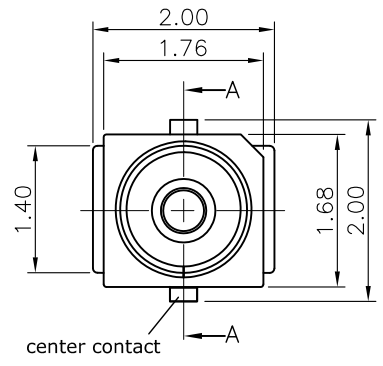


REV.	DESCRIPTION	DRAWN	DATE
1	INITIAL RELEASE	FROS	2020/05/22



RECOMMENDED PCB LAYOUT
(TOLERANCE: ±0.05)

- CENTER CONTACT
- GROUND CONTACT

SPECIFICATION:

1. ELECTRICAL
 - 1.1 Current Rating: 1A
 - 1.2 Voltage Rating: 60VAC
 - 1.3 Contact Resistance:
 - Inner Contact | Initially: 20mΩ
 - Ground Contact | Initially: 20mΩ
 - 1.4 Insulation Resistance: 500MΩ
 - 1.5 Dielectric Withstanding Voltage: 200VAC for 1 minute
 - 1.6 VSWR: 100MHZ to 3GHZ | 1.3Max
 - 3GHz to 6GHz | 1.45Max
 - 6GHz to 12GHz | 2.0Max
 - 1.7 Nominal Characteristic Impedance : 50Ω
 - 1.8 Applicable Frequency : 100MHZ to 12GHZ
2. MECHANICAL
 - 2.1 Durability: 30 Cycle
3. ENVIRONMENTAL
 - 3.1 Operating temperature range: -40°C to +85°C
 - 3.2 Storage temperature range: -40°C to +85°C
4. SOLDER ABILITY
 - 4.1 Recommended IR Reflow Temperature: 260°C

3	GROUND	Phosphor Bronze, Gold Flash over Nickel
2	Center contact	Brass , Gold Flash over Nickel
1	HOUSING	LCP, UL94V-0, Black
NO.	PART NAME	DESCRIPTION

UNLESS OTHERWISE SPECIFIED TOLERANCE			
UNIT:	DECIMAL	LINEAR	ANGLES
mm	X.	±0.50	±5°
	X.X	±0.25	±3°
	X.XX	±0.12	±1°



www.attend.com.tw

DRAWN	Fros	2020/05/22	DRAWN NAME:	
CHECKED	Angel	2020/05/22	Micro Coaxial RF Connector 2x2x0.6mm, 4 pad	
APPROVED	Ken	2020/05/22	PRODUCT NO.	321C-220601
	SCALE	SHEET	SIZE	FILE NAME
	12/1	1/1	A4	321C-220601_B_1