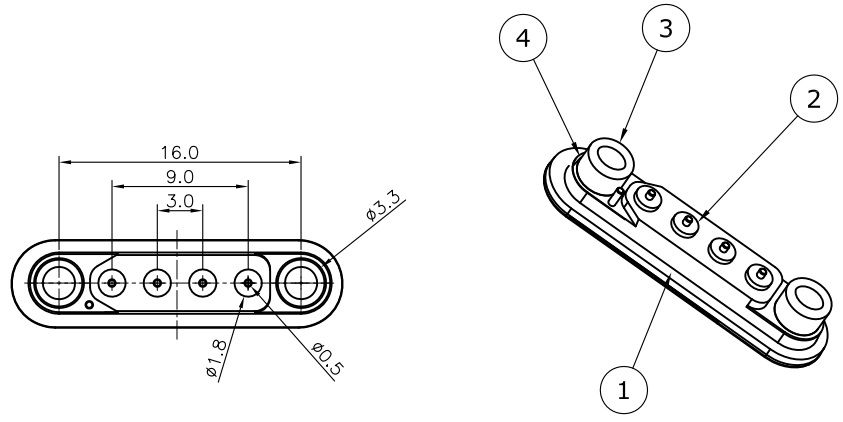
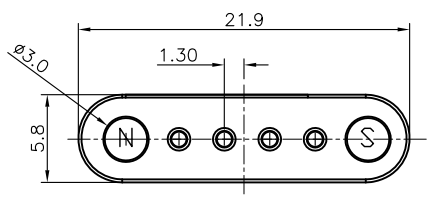
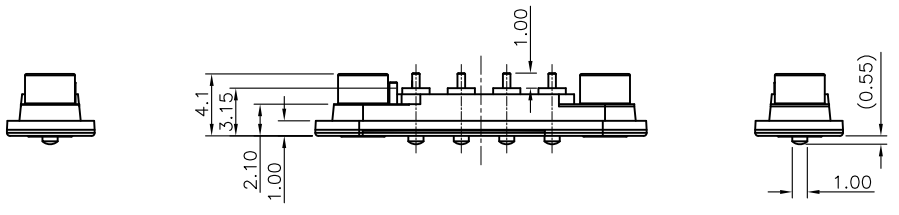


REV.	DESCRIPTION	DRAWN	DATE
1	INITIAL RELEASE	TIM	2021/12/13
1.1	Corrected center line	Fros	2022/08/02



SPECIFICATION:

1. ELECTRICAL
 - 1.1 Current Rating: 1A per pin
 - 1.2 Voltage Rating: 12VDC
 - 1.3 Contact Resistance: 30mΩ
 - 1.4 Insulation Resistance: 500MΩ
 - 1.5 Dielectric Withstanding Voltage: 500VAC
2. MECHANICAL
 - 2.1 Durability: 20,000 Cycle
 - 2.2 Pogo pin contact force: 40g±20g at 0.4mm work stroke, full stroke 0.6mm
3. ENVIRONMENTAL
 - 3.1 Operating temperature range: -30°C~+60°C



4	GLUE	LTE-120HP
3	MAGNET	N48 NdFeB, Ni-Cu-Ni plating
2	POGO PIN	Brass, 5u" gold plating
1	HOUSING	HTN, UL94V-0, Black

NO.		PART NAME	DESCRIPTION
UNLESS OTHERWISE SPECIFIED TOLERANCE			
UNIT:	DECIMAL	LINEAR	ANGLES
	mm	X, X	±0.50 ±5°
		X.X, XX	±0.25 ±3°
			±0.12 ±1°
DRAWN		Tim	2021/12/13
CHECKED		Fros	2021/12/13
APPROVED		Ken	2021/12/13
DRAWN NAME:		Pogo Pin, Magnet Type, 4Pin	
CHECKED		H4.6, Pitch 3.0, DIP, 5u", Black	
APPROVED		PRODUCT NO.	303C-321018-30-04
SCALE	SHEET	SIZE	FILE NAME
1/1	1/1	A4	303C-321018-30-04_B_1.1



www.attend.com.tw