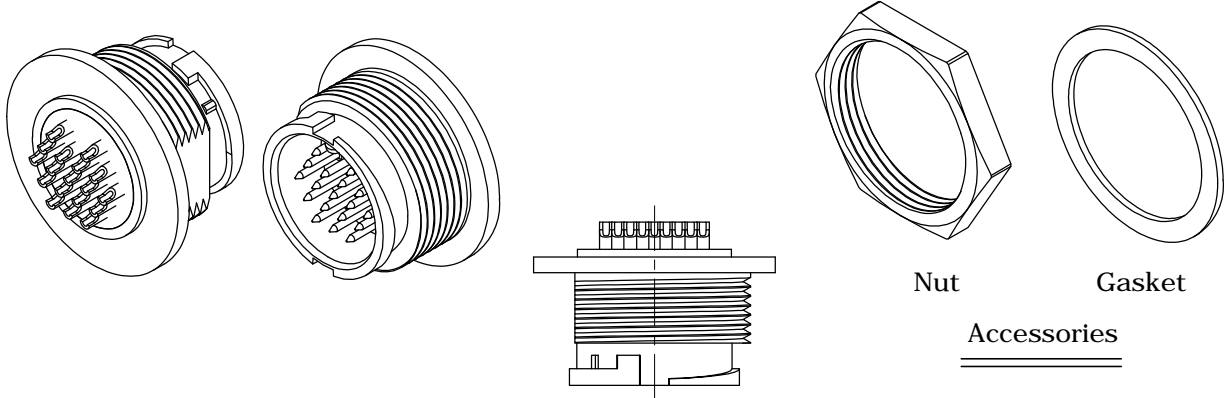


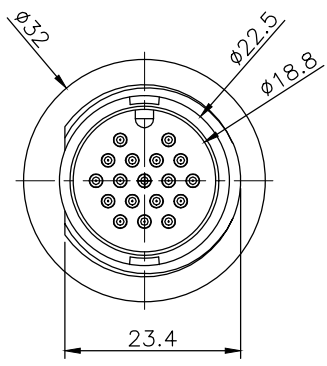
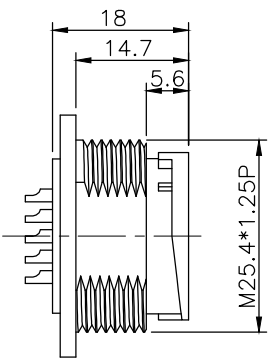
REV.	DESCRIPTION	DRAWN	DATE
1	INITIAL RELEASE	TIM	2020/06/10



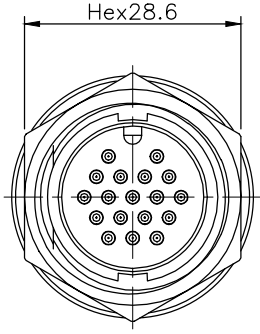
Nut Gasket  
Accessories

**SPECIFICATION:**

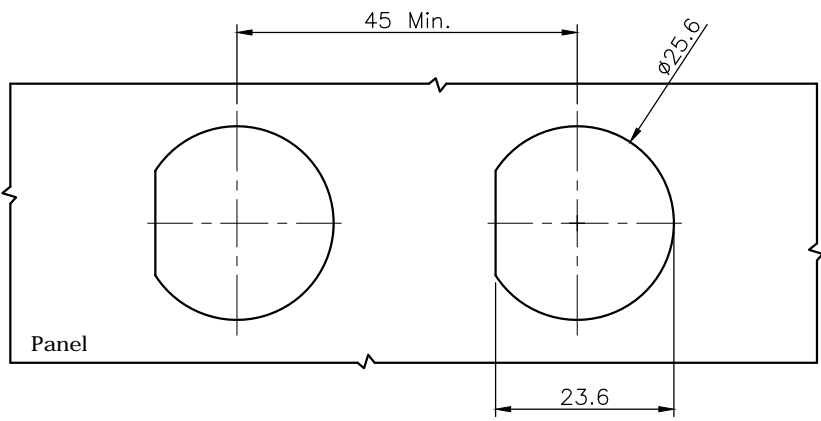
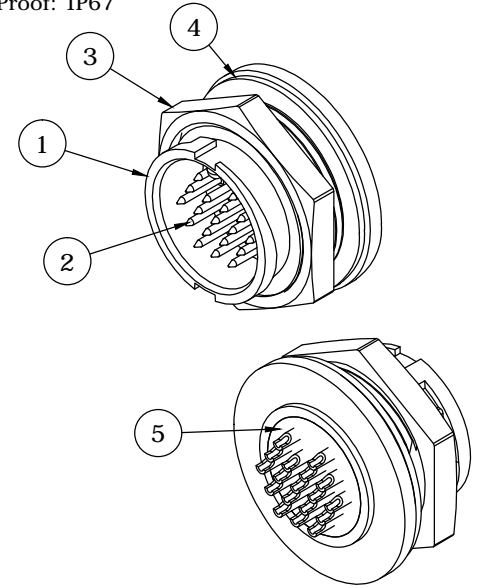
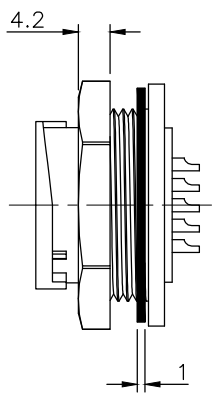
1. Current Rating: 2A/ 5A/ 20A per pin (see P2. table)
2. Contact Resistance: 10mΩ
3. Insulation Resistance: 100MΩ
4. Dielectric Withstanding Voltage: 500VAC
5. Durability: 1000 Cycle
6. Operating temperature range: -40°C~+85°C
7. Storage temperature range: -40°C~+85°C
8. Water Proof: IP67



Body



Assembly View



Recommend Panel Cut

5	GLUE	EPOXY
4	GASKET	Silicone, Gray
3	HEX NUT	PA66, UL94V-0, Black
2	CONTACT	Brass, 1u" Min. Gold Plating over Nickel
1	HOUSING	PA66, UL94V-0, Black

NO.		PART NAME		DESCRIPTION	
UNLESS OTHERWISE SPECIFIED TOLERANCE					
UNIT:	DECIMAL	LINEAR	ANGLES		
	X.	±0.50	±5°		
	X.X	±0.25	±3°		
mm	X.XX	±0.12	±1°		
www.attend.com.tw					
DRAWN	Tim	2020/06/10	DRAWN NAME:		
CHECKED	Fros	2020/06/10	D Size Connector, Panel Fixed Front Fastened Bayonet, M Skt M Solder Pin		
APPROVED	Ken	2020/06/10	PRODUCT NO.	see page 2 table	
SCALE 1/1		SHEET 1/2	SIZE A4	FILE NAME	227D-SMMO_B_1

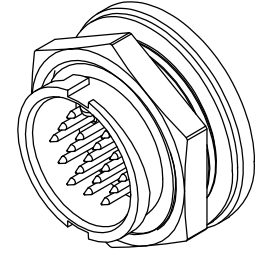
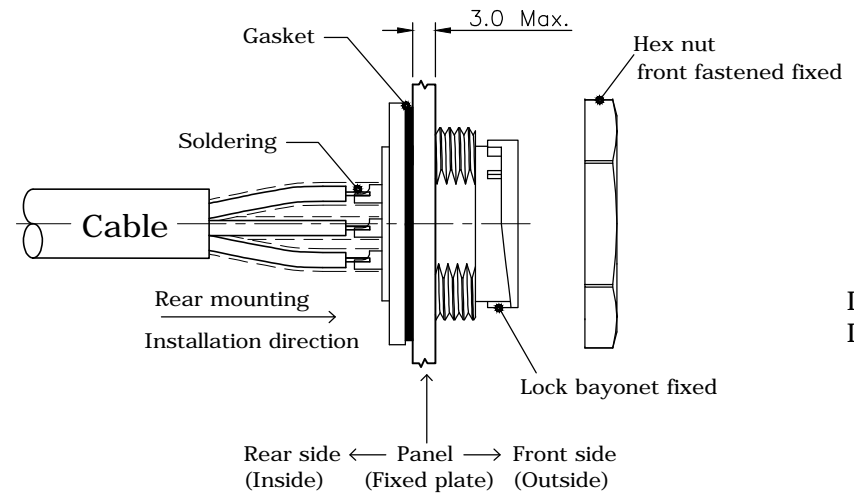


REV.	DESCRIPTION	DRAWN	DATE
	SEE SHEET ONE		

TABLE: Pin Count/ Pin Assignment/ Current Rating/ Part Number

Part Number	227D-05M03	227D-07M02	227D-18M08	227D-20M01	227D-21M01	227D-22M01	227D-24M01
Pin Assignment							
Pin Count	5Pin	7Pin	18Pin	20Pin	21Pin	22Pin	24Pin
Current Rating	20A	20A	5A	2A	2A	2A	2A

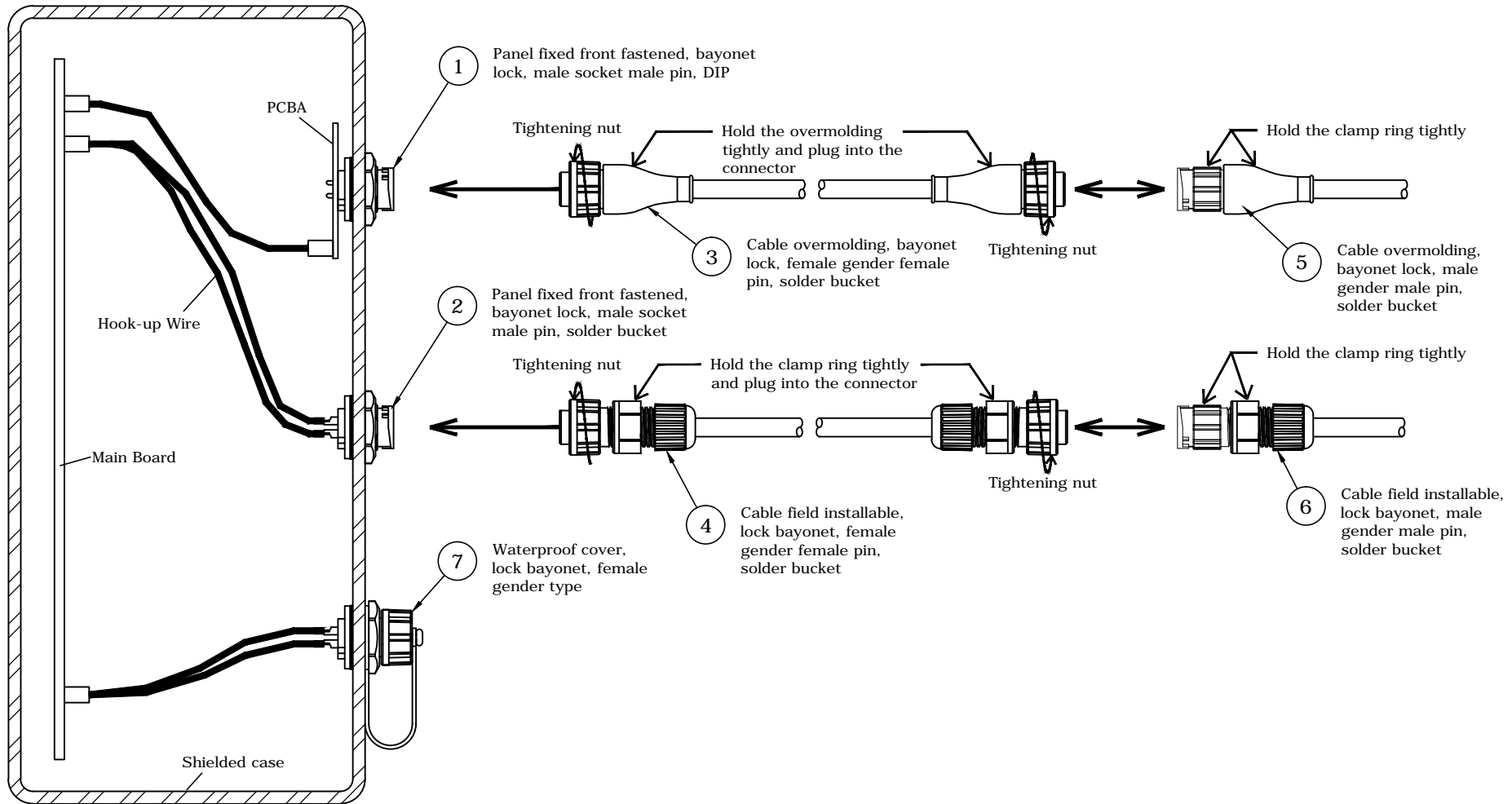
Part Number	227D-25M01
Pin Assignment	
Pin Count	25Pin
Current Rating	2A



Drawing Number: 227D-SMM0  
 Description: D size connector, panel fixed front fastened bayonet lock, male Socket male pin, solder bucket

UNLESS OTHERWISE SPECIFIED TOLERANCE				 www.attend.com.tw
UNIT:	DECIMAL	LINEAR	ANGLES	
mm	X.	±0.50	±5°	
	X.X	±0.25	±3°	
	X.XX	±0.12	±1°	
DRAWN	Tim	2020/06/10	DRAWN NAME:	
CHECKED	Fros	2020/06/10	D Size Connector, Panel Fixed Front Fastened Bayonet, M Skt M Solder Pin	
APPROVED	Ken	2020/06/10	PRODUCT NO. see table	
	SCALE 1/1	SHEET 2/2	SIZE A4	FILE NAME 227D-SMM0_B_1

REV.	DESCRIPTION	DRAWN	DATE
1	INITIAL RELEASE	TIM	2020/06/10



Application	Ball no.	Drawing Number	Gender		Matchable drawing numbers				UNLESS OTHERWISE SPECIFIED TOLERANCE			
			Conn. type	Pin type	1	2	3	4	UNIT:	DECIMAL	LINEAR	ANGLES
Panel Fixed	①	227D-DMM0	Male	Male	227D-MFF0	227D-AFF0	227D-0001		mm	X.	±0.50	±5°
	②	227D-SMM0			③	④	⑦			X.X	±0.25	±3°
Cable	③	227D-MFF0	Female	Female	227D-DMM0	227D-SMM0	227D-MMM0	227D-AMM0		X.XX	±0.12	±1°
	④	227D-AFF0			①	②	⑤	⑥				
	⑤	227D-MMM0	Male	Male	227D-MFF0	227D-AFF0	227D-0001					
⑥	227D-AMM0	③			④	⑦						
Accessories	⑦	227D-0001	Female		①	②	⑤	⑥				



www.attend.com.tw

DRAWN NAME: D Size Water Proof Connector Application Drawing

PRODUCT NO.

FILE NAME: 227D-Series\_B\_1

DRAWN	Tim	2020/06/10
CHECKED	Fros	2020/06/10
APPROVED	Ken	2020/06/10
SCALE	1/2	
SHEET	1/1	
SIZE	A4	