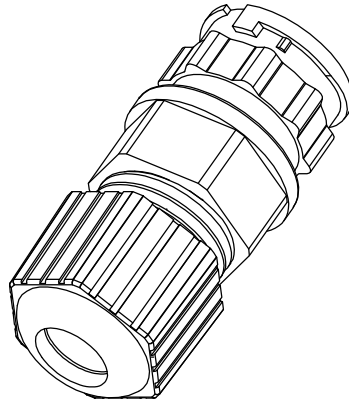
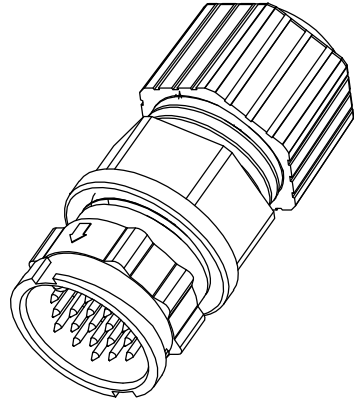
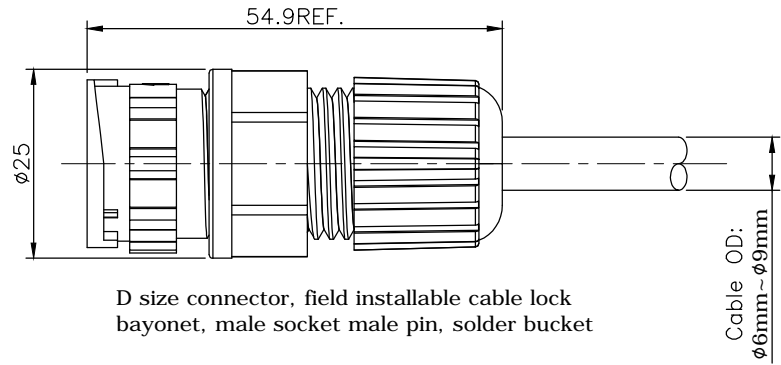
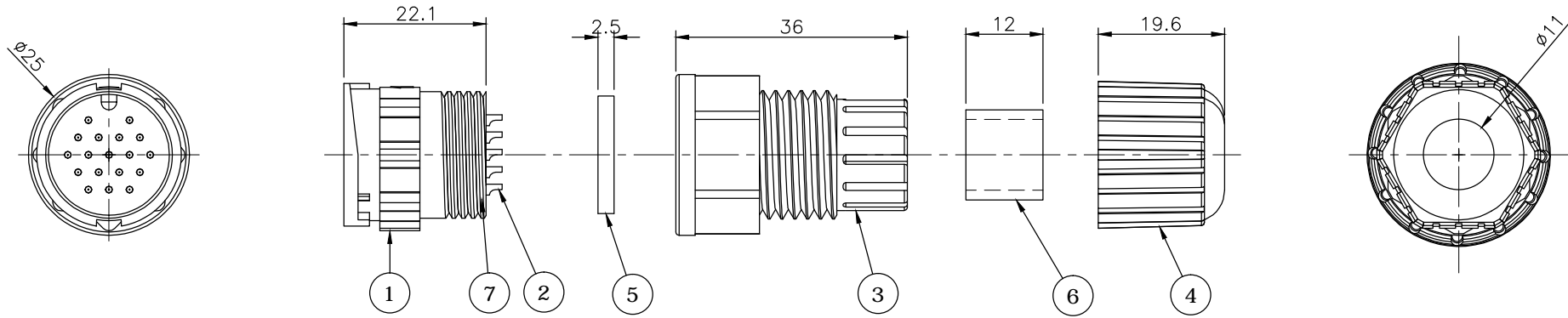


REV.	DESCRIPTION	DRAWN	DATE
1	INITIAL RELEASE	TIM	2020/06/10



**SPECIFICATION:**

1. Current Rating: 5A /20A per pin (see P2. table)
2. Contact Resistance: 10mΩ
3. Insulation Resistance: 100MΩ
4. Dielectric Withstanding Voltage: 500VAC
5. Durability: 1000 Cycle
6. Operating temperature range: -40°C~+85°C
7. Storage temperature range: -40°C~+85°C
8. Waterproof: IP67



7	GLUE	EPOXY
6	CABLE SEAL	Silicone, Gray
5	GASKET	Silicone, Gray
4	SEALING NUT	PA66, Black
3	CLAMP RING	PA66, UL94V-0, Black
2	CONTACT	Brass, 1u' Min. Gold Plating over Nickel
1	HOUSING	PA66, UL94V-0, Black

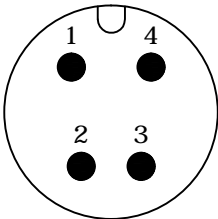
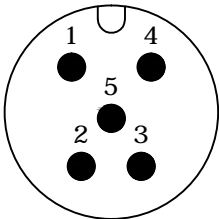
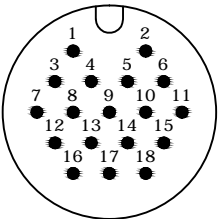
NO.		PART NAME		DESCRIPTION	
UNLESS OTHERWISE SPECIFIED TOLERANCE					
UNIT:	DECIMAL	LINEAR	ANGLES		
	X.	±0.50	±5°		
	X.X	±0.25	±3°		
	X.XX	±0.12	±1°		
DRAWN	Tim	2020/06/10	DRAWN NAME:		
CHECKED	Fros	2020/06/10	D Size Connector, Field Installable Lock Bayonet, M Skt M Solder Pin		
APPROVED	Ken	2020/06/10	PRODUCT NO.	see page 2 table	
SCALE	1/1	SHEET	1/3	SIZE	A4
FILE NAME		227D-AMMO_B_1			

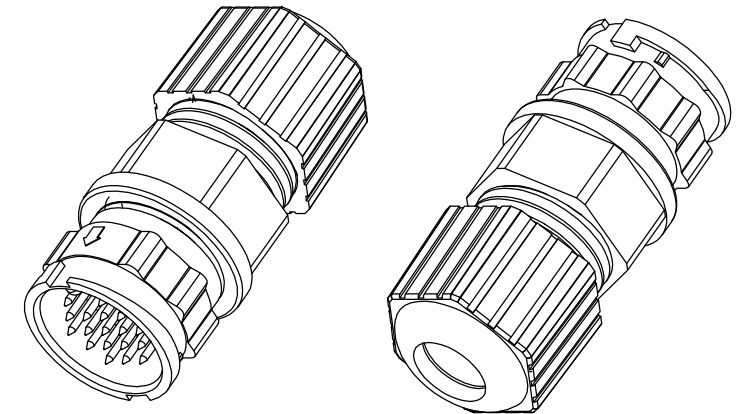


www.attend.com.tw


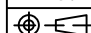
REV.	DESCRIPTION	DRAWN	DATE
	SEE SHEET ONE		

TABLE: Pin Count/ Pin Assignment/ Current Rating/ Part Number

Part Number	227D-04M01	227D-05M01	227D-18M02
Pin Assignment			
Pin Count	4Pin	5Pin	18Pin
Current Rating	20A	20A	5A

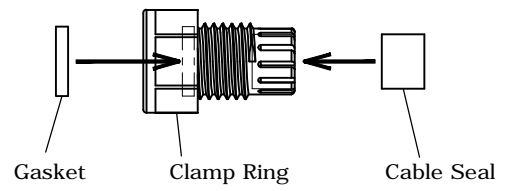


Drawing Number: 227D-AMM0  
 Description: D size connector, field installable cable lock bayonet, male socket male pin, solder bucket

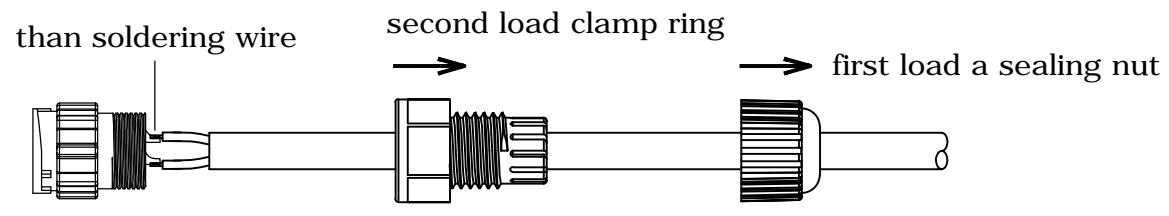
UNLESS OTHERWISE SPECIFIED TOLERANCE			
UNIT:	DECIMAL	LINEAR	ANGLES
mm	X.	±0.50	±5°
	X.X	±0.25	±3°
	X.XX	±0.12	±1°
 <b>ATTEND</b> www.attend.com.tw			
DRAWN	Tim	2020/06/10	DRAWN NAME: D Size Connector, Field Installable Lock Bayonet, M Skt M Solder Pin
CHECKED	Fros	2020/06/10	
APPROVED	Ken	2020/06/10	PRODUCT NO. see table
	SCALE 1/1	SHEET 2/3	SIZE A4 FILE NAME 227D-AMMO_B_1

REV.	DESCRIPTION	DRAWN	DATE
	SEE SHEET ONE		

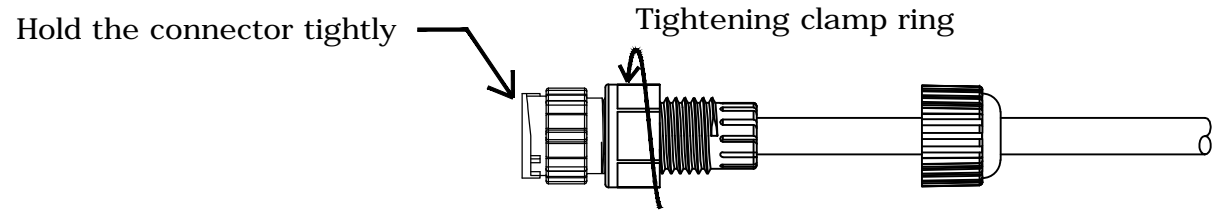
### 1. Pre-assembled cable clamp



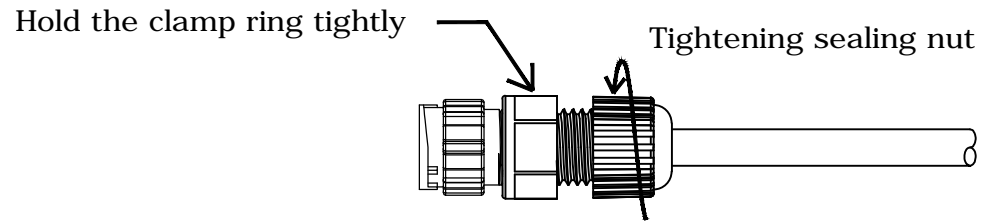
### 2. Wire processing


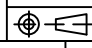


### 3. Assembly clamp ring

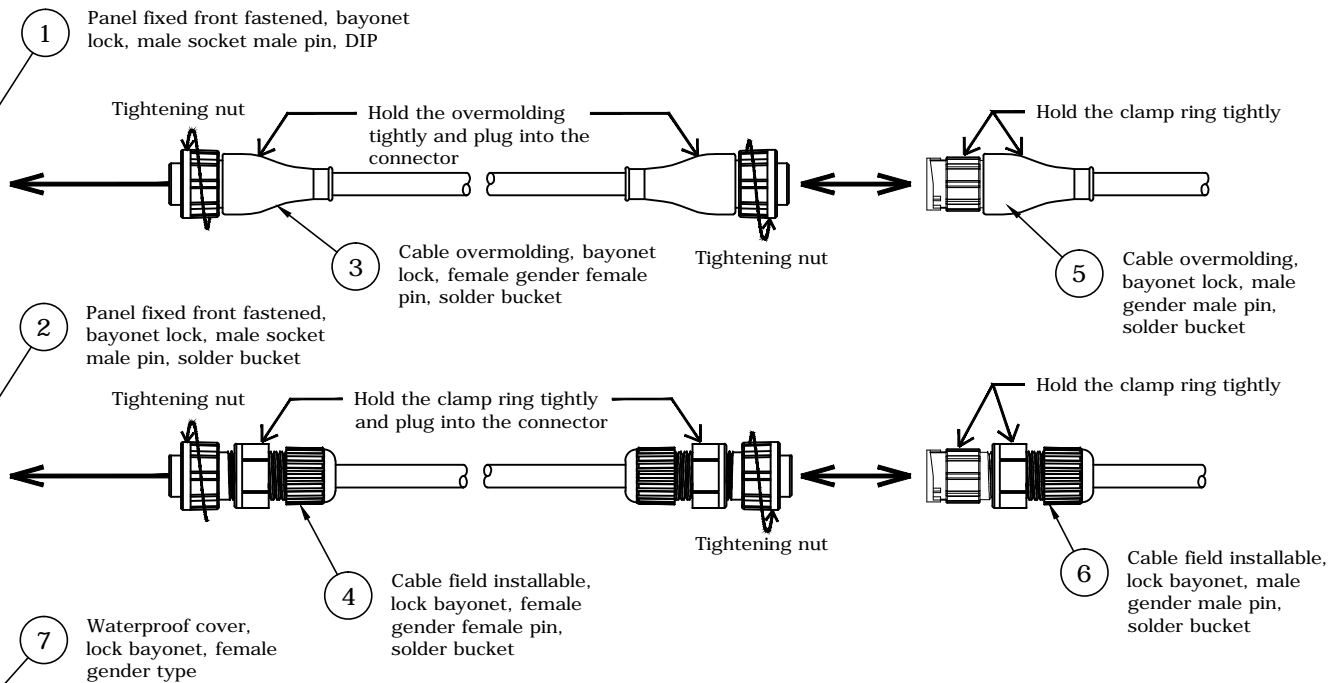
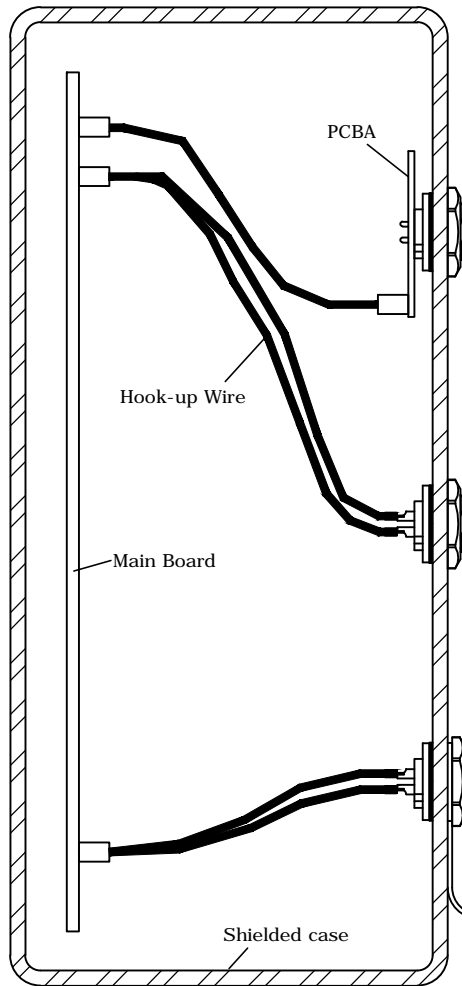


### 4. Assembly sealing nut




UNLESS OTHERWISE SPECIFIED TOLERANCE				 www.attend.com.tw
UNIT:	DECIMAL	LINEAR	ANGLES	
mm	X.	±0.50	±5°	
	X.X	±0.25	±3°	
	X.XX	±0.12	±1°	
DRAWN	Tim	2020/06/10	DRAWN NAME:	
CHECKED	Fros	2020/06/10	D Size Connector, Field Installable Lock Bayonet, M Skt M Solder Pin	
APPROVED	Ken	2020/06/10	PRODUCT NO. see p/n table	
	SCALE n/a	SHEET 3/3	SIZE A4	FILE NAME 227D-AMMO_B_1

REV.	DESCRIPTION	DRAWN	DATE
1	INITIAL RELEASE	TIM	2020/06/10



Application	Ball no.	Drawing Number	Gender		Matchable drawing numbers			
			Conn. type	Pin type	1	2	3	4
Panel Fixed	①	227D-DMM0	Male	Male	227D-MFF0	227D-AFF0	227D-0001	
	②	227D-SMM0			③	④	⑦	
Cable	③	227D-MFF0	Female	Female	227D-DMM0	227D-SMM0	227D-MMM0	227D-AMM0
	④	227D-AFF0			①	②	⑤	⑥
	⑤	227D-MMM0	Male	Male	227D-MFF0	227D-AFF0	227D-0001	
	⑥	227D-AMM0			③	④	⑦	
Accessories	⑦	227D-0001	Female		①	②	⑤	⑥

UNLESS OTHERWISE SPECIFIED TOLERANCE			
UNIT:	DECIMAL	LINEAR	ANGLES
mm	X.	±0.50	±5°
	X.X	±0.25	±3°
	X.XX	±0.12	±1°
DRAWN	Tim	2020/06/10	
CHECKED	Fros	2020/06/10	
APPROVED	Ken	2020/06/10	
SCALE	1/2	SHEET	1/1
		SIZE	A4



**ATTEND**

www.attend.com.tw

DRAWN NAME:  
D Size Water Proof Connector  
Application Drawing

PRODUCT NO.:

FILE NAME: 227D-Series\_B\_1