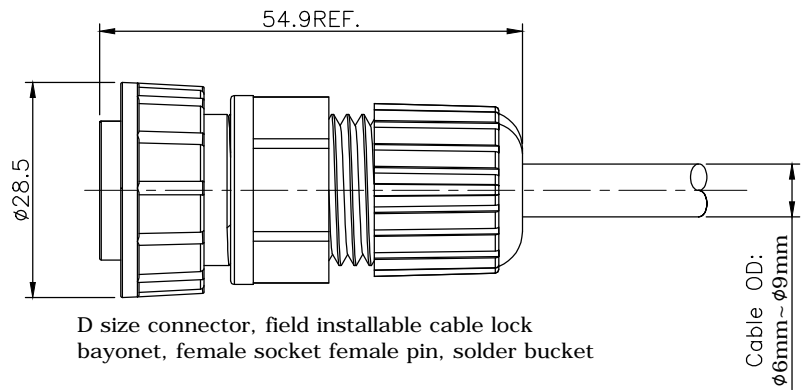
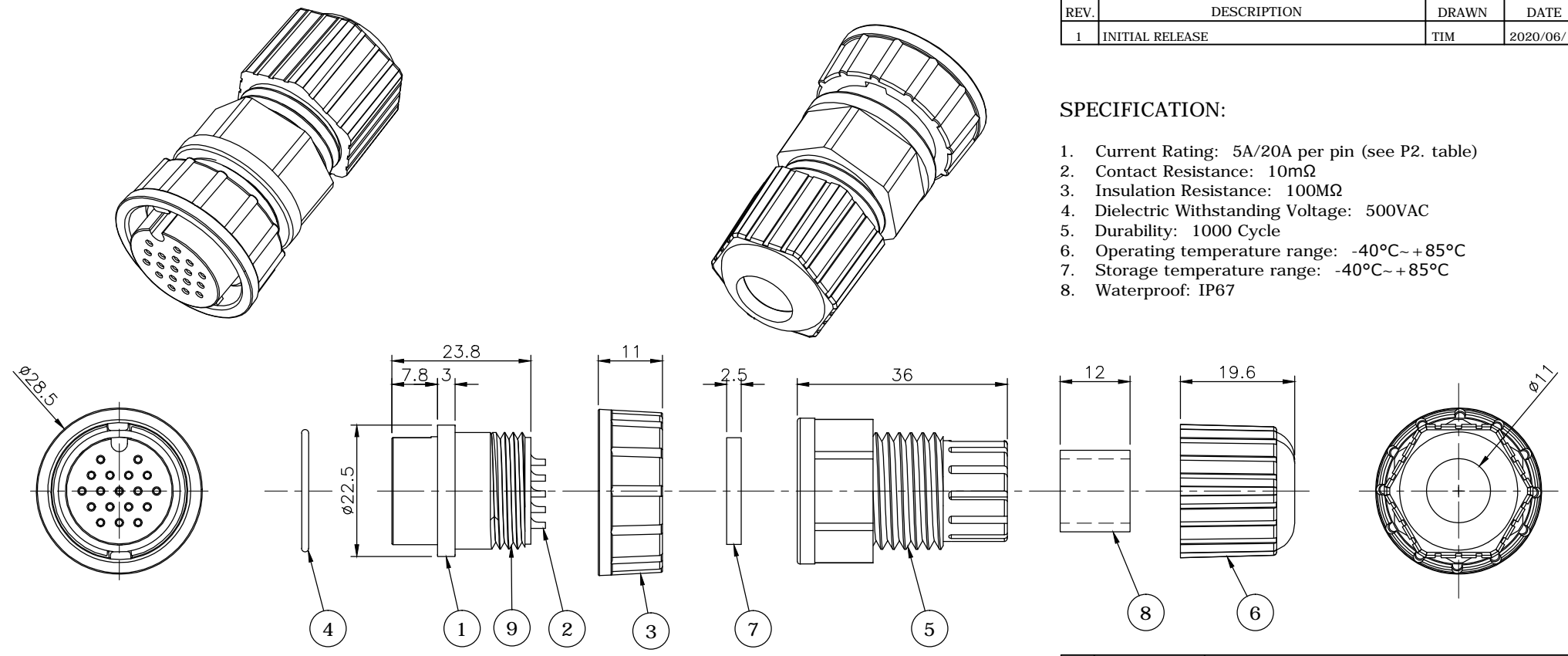


REV.	DESCRIPTION	DRAWN	DATE
1	INITIAL RELEASE	TIM	2020/06/10

SPECIFICATION:

1. Current Rating: 5A/20A per pin (see P2. table)
2. Contact Resistance: 10mΩ
3. Insulation Resistance: 100MΩ
4. Dielectric Withstanding Voltage: 500VAC
5. Durability: 1000 Cycle
6. Operating temperature range: -40°C~+85°C
7. Storage temperature range: -40°C~+85°C
8. Waterproof: IP67



D size connector, field installable cable lock bayonet, female socket female pin, solder bucket

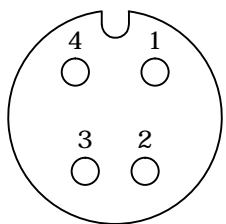
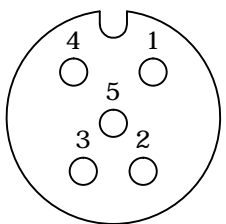
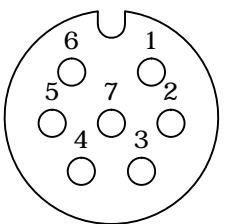
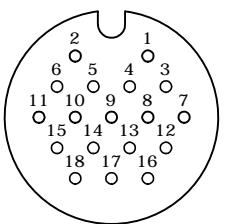
9	GLUE	EPOXY
8	CABLE SEAL	Silicone, Gray
7	GASKET	Silicone, Gray
6	SEALING NUT	PA66, Black
5	CLAMP RING	PA66, UL94V-0, Black
4	ORING	Silicone, Gray
3	LOCK NUT	PA66, UL94V-0, Black
2	CONTACT	Brass, 1u" Min. Gold Plating over Nickel
1	HOUSING	PA66, UL94V-0, Black

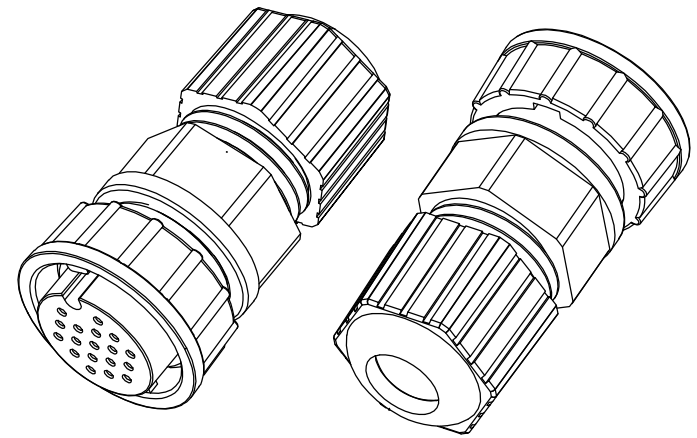
NO.	PART NAME	DESCRIPTION		
UNLESS OTHERWISE SPECIFIED TOLERANCE				
UNIT:	DECIMAL	LINEAR	ANGLES	
mm	X.	±0.50	±5°	
	X.X	±0.25	±3°	
	X.XX	±0.12	±1°	
www.attend.com.tw				
DRAWN	Tim	2020/06/10	DRAWN NAME:	
CHECKED	Fros	2020/06/10	D Size Connector, Field Installable Lock Bayonet, F Skt F Solder Pin	
APPROVED	Ken	2020/06/10	PRODUCT NO. see page 2 table	
SCALE	1/1	SHEET 1/3	SIZE A4	FILE NAME 227D-AFFO_B_1




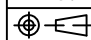
REV.	DESCRIPTION	DRAWN	DATE
	SEE SHEET ONE		

TABLE: Pin Count/ Pin Assignment/ Current Rating/ Part Number

Part Number	227D-04F01	227D-05F01	227D-07F01	227D-18F01
Pin Assignment				
Pin Count	4Pin	5Pin	7Pin	18Pin
Current Rating	20A	20A	20A	5A

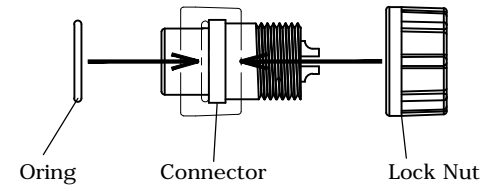


Drawing Number: 227D-AFF0
 Description: D size connector, field installable cable lock bayonet, female socket female pin, solder bucket

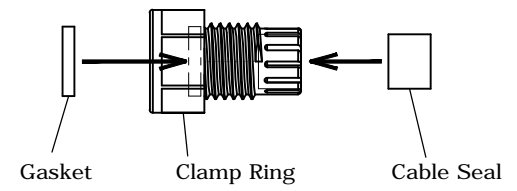
UNLESS OTHERWISE SPECIFIED TOLERANCE				 www.attend.com.tw	
UNIT:	DECIMAL	LINEAR	ANGLES		
mm	X.	±0.50	±5°		
	X.X	±0.25	±3°		
	X.XX	±0.12	±1°		
DRAWN	Tim	2020/06/10	DRAWN NAME:		
CHECKED	Fros	2020/06/10	D Size Connector, Field Installable Lock Bayonet, F Skt F Solder Pin		
APPROVED	Ken	2020/06/10	PRODUCT NO.	see table	
	SCALE	SHEET	SIZE	FILE NAME	227D-AFF0_B_1
	1/1	2/3	A4		

REV.	DESCRIPTION	DRAWN	DATE
	SEE SHEET ONE		

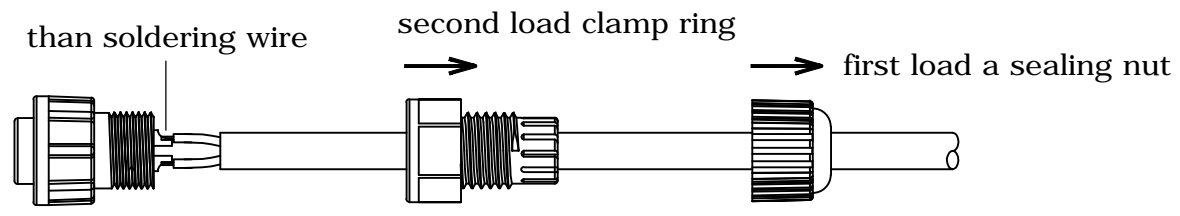
1. Pre-assembled connector



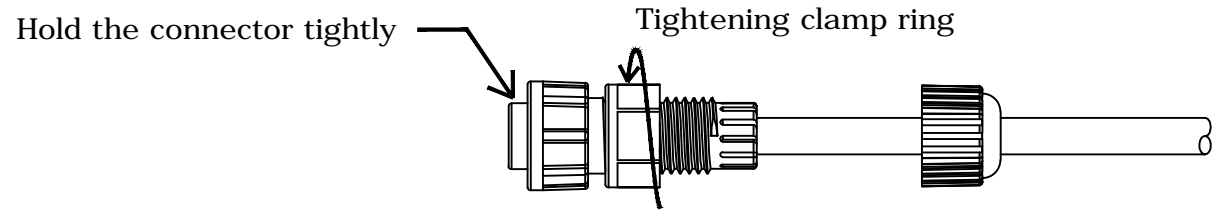
2. Pre-assembled cable clamp



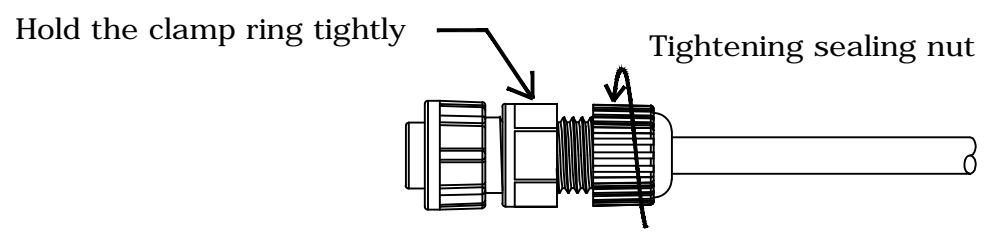
3. Wire processing


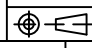


4. Assembly clamp ring

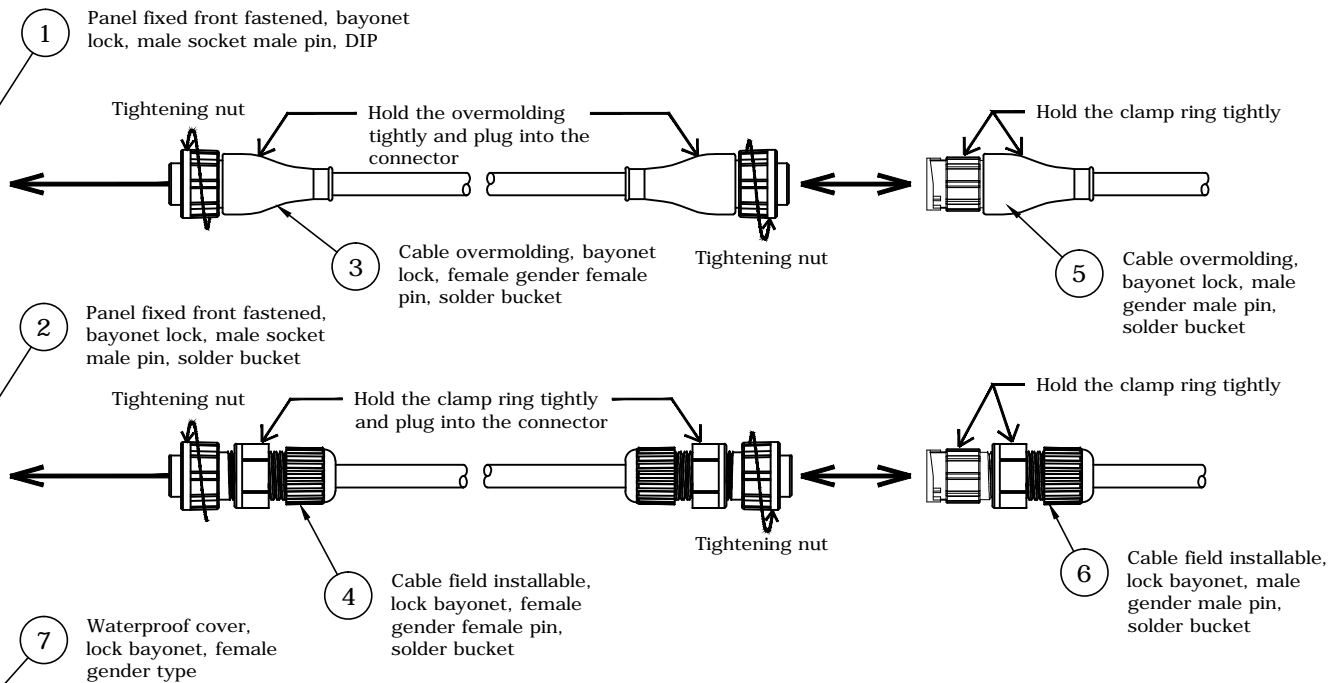
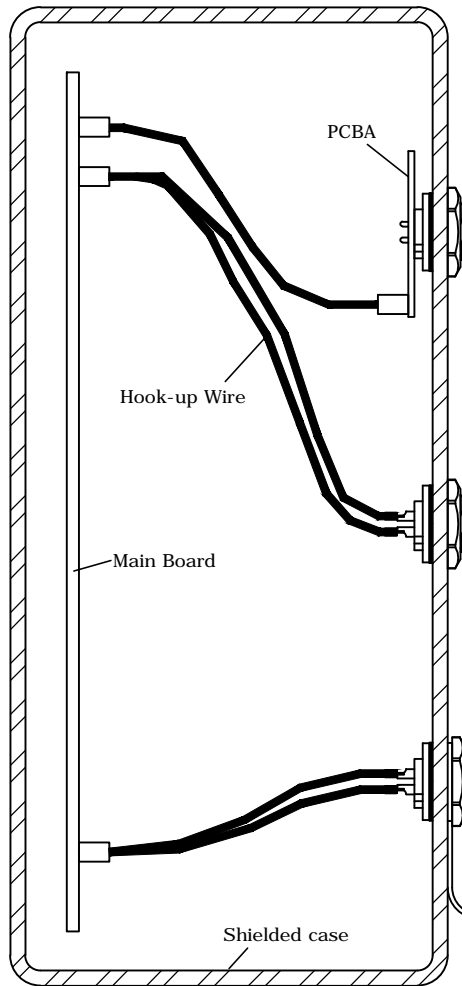


5. Assembly sealing nut




UNLESS OTHERWISE SPECIFIED TOLERANCE					
UNIT:	DECIMAL	LINEAR	ANGLES		
mm	X.	±0.50	±5°	www.attend.com.tw	
	X.X	±0.25	±3°		
	X.XX	±0.12	±1°		
DRAWN	Tim	2020/06/10	DRAWN NAME:		
CHECKED	Fros	2020/06/10	D Size Connector, Field Installable Lock Bayonet, F Skt F Solder Pin		
APPROVED	Ken	2020/06/10	PRODUCT NO. see p/n table		
	SCALE n/a	SHEET 3/3	SIZE A4	FILE NAME	227D-AFF0_B_1

REV.	DESCRIPTION	DRAWN	DATE
1	INITIAL RELEASE	TIM	2020/06/10



Application	Ball no.	Drawing Number	Gender		Matchable drawing numbers			
			Conn. type	Pin type	1	2	3	4
Panel Fixed	①	227D-DMM0	Male	Male	227D-MFF0	227D-AFF0	227D-0001	
	②	227D-SMM0			③	④	⑦	
Cable	③	227D-MFF0	Female	Female	227D-DMM0	227D-SMM0	227D-MMM0	227D-AMM0
	④	227D-AFF0			①	②	⑤	⑥
	⑤	227D-MMM0	Male	Male	227D-MFF0	227D-AFF0	227D-0001	
	⑥	227D-AMM0			③	④	⑦	
Accessories	⑦	227D-0001	Female		①	②	⑤	⑥

UNLESS OTHERWISE SPECIFIED TOLERANCE			
UNIT:	DECIMAL	LINEAR	ANGLES
mm	X.	±0.50	±5°
	X.X	±0.25	±3°
	X.XX	±0.12	±1°
DRAWN	Tim	2020/06/10	
CHECKED	Fros	2020/06/10	
APPROVED	Ken	2020/06/10	
SCALE	1/2	SHEET	1/1
		SIZE	A4


ATTEND

www.attend.com.tw

DRAWN NAME:
D Size Water Proof Connector
Application Drawing

PRODUCT NO.:

FILE NAME: 227D-Series_B_1

G
F
E
D
C
B
A

1 2 3 4 5 6 7 8 9 10

1 2 3 4 5 6 7 8 9 10