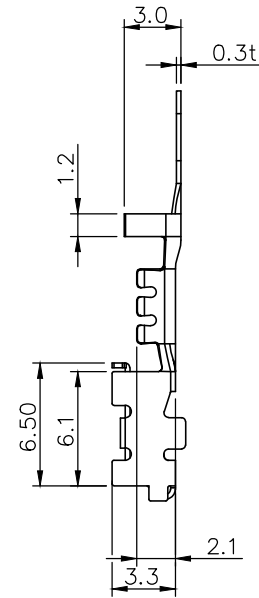
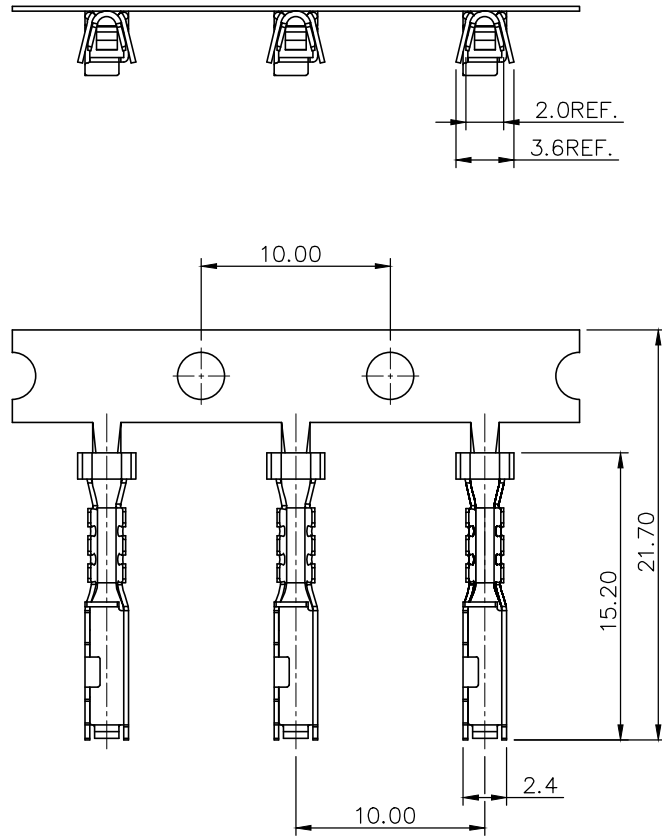


REV.	DESCRIPTION	DRAWN	DATE
1	INITIAL RELEASE	TIM	2019/03/15



1	TERMINAL	Brass, Matte Tin plating over Nickel		
NO.	PART NAME	DESCRIPTION		
UNLESS OTHERWISE SPECIFIED TOLERANCE				
UNIT:	DECIMAL	LINEAR	ANGLES	
mm	X.	±0.50	±5°	
	X.X	±0.25	±3°	
	X.XX	±0.12	±1°	
www.attend.com.tw				
DRAWN	Tim	2019/03/15	DRAWN NAME:	
CHECKED	Fros	2019/03/15	OBD2 Terminal, Female Pin, Crimp PBS, Tin, 18-22AWG	
APPROVED	Ken	2019/03/15	PRODUCT NO.	226B-T002
	SCALE	SHEET	SIZE	FILE NAME
	2.5	1/1	A4	226B-T002_B_1

