

REV.	DESCRIPTION	DRAWN	DATE
1	INITIAL RELEASE	TIM	2019/03/15

Crimp Terminal
P/N: 226B-T001
Q'ty: 16 PCS (Max.)

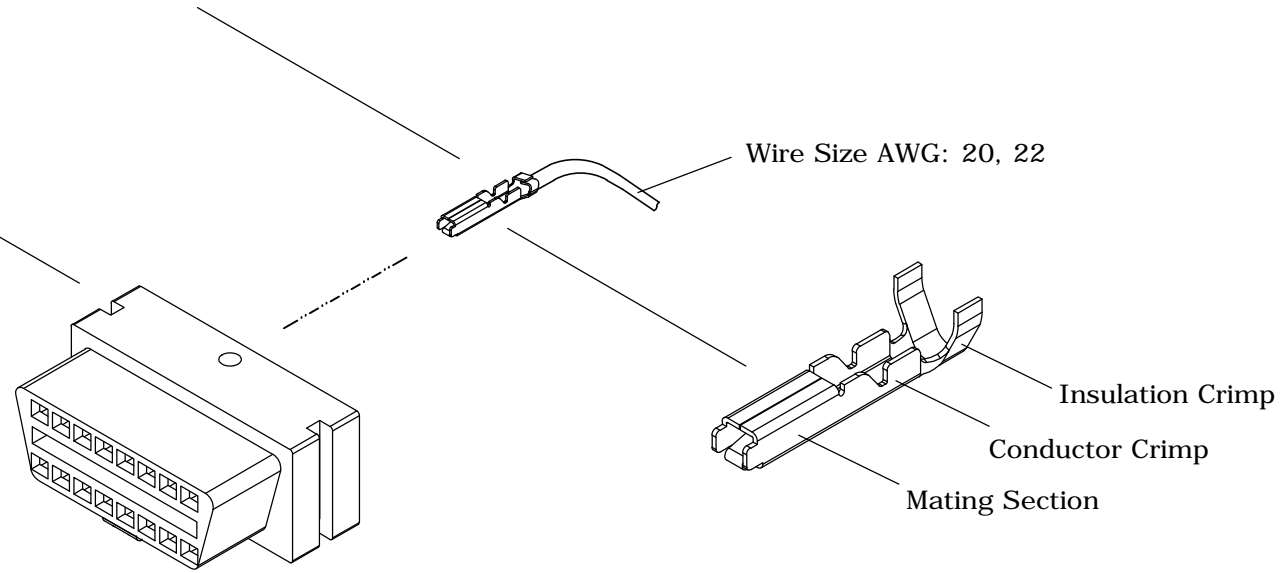
Housing
P/N: 226B-H001
Q'ty: 1 PC


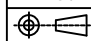
Wire Size AWG: 20, 22

Insulation Crimp

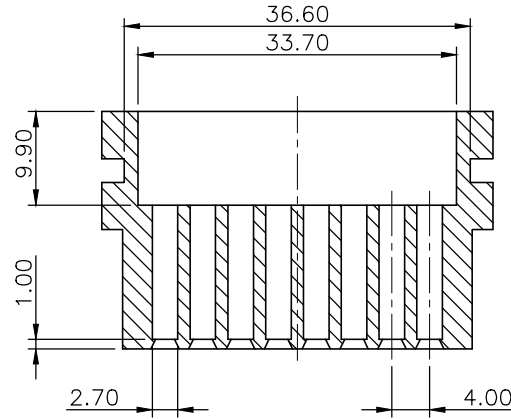
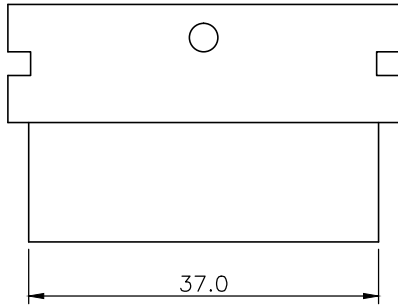
Conductor Crimp

Mating Section

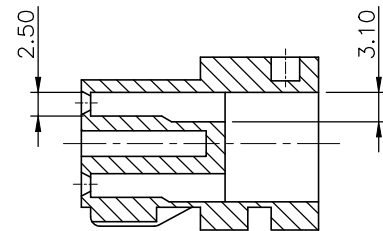
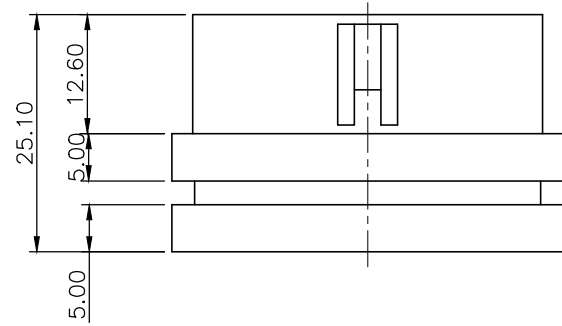
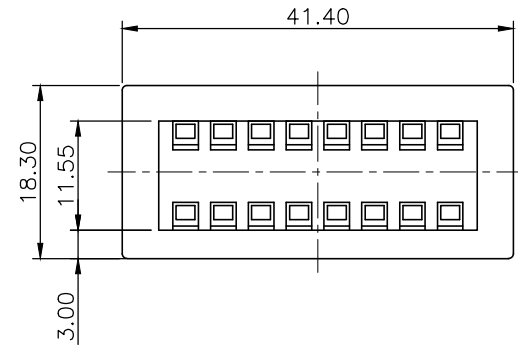
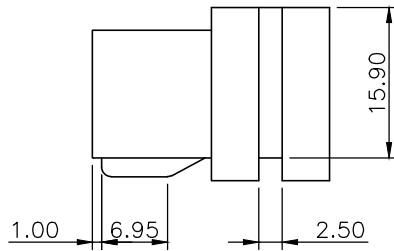
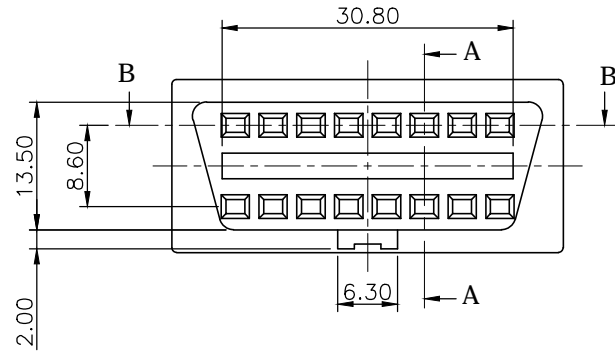


UNLESS OTHERWISE SPECIFIED TOLERANCE					
UNIT:	DECIMAL	LINEAR	ANGLES		
mm	X.	±0.50	±5°	www.attend.com.tw	
	X.X	±0.25	±3°		
	X.XX	±0.12	±1°		
DRAWN	Tim	2019/03/15	DRAWN NAME: OB2 Housing, Type A Female Crimp Type, Crimp Terminal		
CHECKED	Fros	2019/03/15	PRODUCT NO.		
APPROVED	Ken	2019/03/15	FILE NAME		
		SCALE 1:1	SHEET 1/1	SIZE A4	226B- Crimp Type

REV.	DESCRIPTION	DRAWN	DATE
1	INITIAL RELEASE	TIM	2019/03/15



SECTION B-B

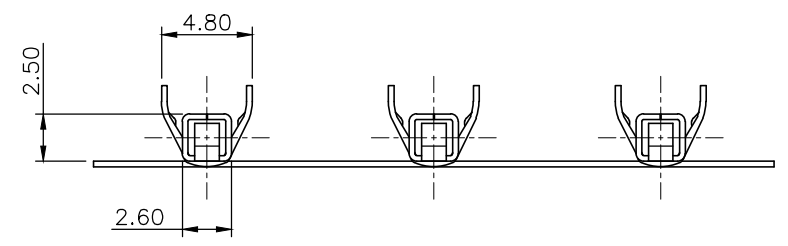
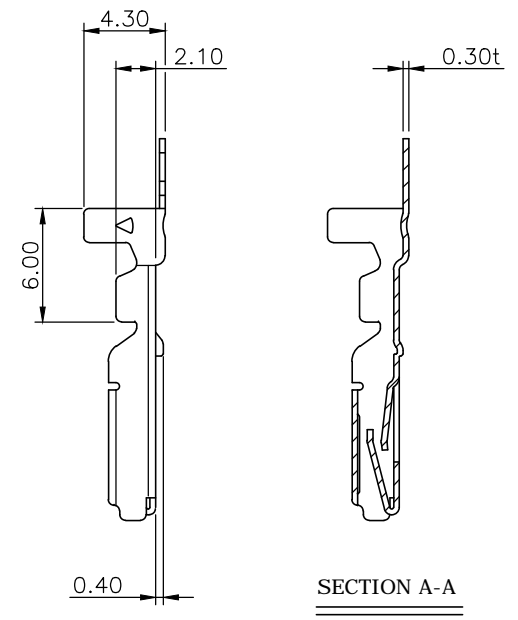
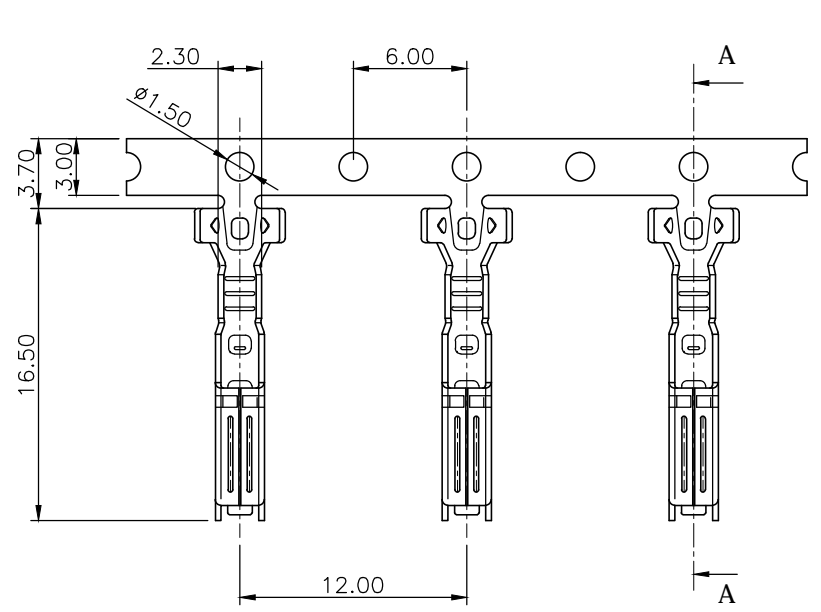


SECTION A-A

1	HOUSING	PA66, UL94V-0, Black	
NO	PART NAME	DESCRIPTION	
UNLESS OTHERWISE SPECIFIED TOLERANCE			
UNIT:	DECIMAL	LINEAR	ANGLES
mm	X.	±0.50	±5°
	X.X	±0.25	±3°
	X.XX	±0.12	±1°
www.attend.com.tw			
DRAWN	Tim	2019/03/15	DRAWN NAME:
CHECKED	Fros	2019/03/15	OB2 Housing, Type A Female Crimp Type, Nylon, Black
APPROVED	Ken	2019/03/15	PRODUCT NO. 226B-H001
	SCALE 1.25	SHEET 1/1	SIZE A4
FILE NAME		226B-H001_B_1	



REV.	DESCRIPTION	DRAWN	DATE
1	INITIAL RELEASE	TIM	2019/03/15



1	TERMINAL	Brass, Bright Tin plating over Nickel	
NO	PART NAME	DESCRIPTION	
UNLESS OTHERWISE SPECIFIED TOLERANCE			
UNIT:	DECIMAL	LINEAR	ANGLES
mm	X.	± 0.50	$\pm 5^\circ$
	X.X	± 0.25	$\pm 3^\circ$
	X.XX	± 0.12	$\pm 1^\circ$
DRAWN			Tim
CHECKED			Fros
APPROVED			Ken
SCALE			2.5
SHEET			1/1
SIZE			A4
DRAWN NAME:		2019/03/15	
CHECKED		2019/03/15	
APPROVED		2019/03/15	
DRAWN NAME:		OBD2 Terminal, Female Pin, Crimp Brass, Tin, 18-22AWG	
PRODUCT NO.		226B-T001	
FILE NAME		226B-T001_B_1	



www.attend.com.tw