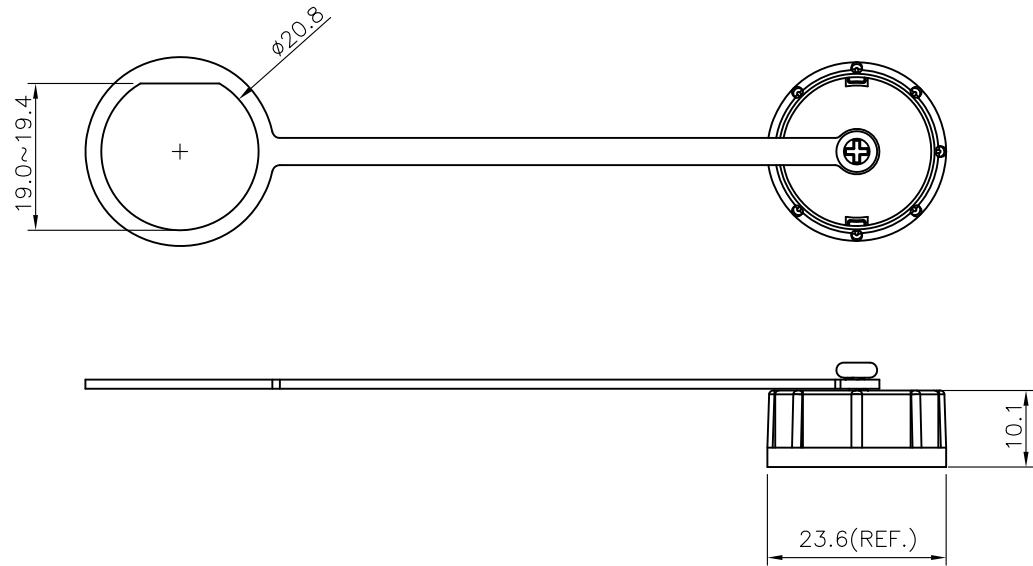


REV.	DESCRIPTION	DRAWN	DATE
1	INITIAL RELEASE	FROS	2020/11/17



4	SCREW	Steel
3	GASKET	Silicon
2	RUBBER LEAD	PVC
1	CAP	PA66

NO.	PART NAME	DESCRIPTION						
UNLESS OTHERWISE SPECIFIED TOLERANCE								
UNIT:	DECIMAL	LINEAR	ANGLES					
mm	X.	±0.50	±5°					
	X.X	±0.25	±3°					
	X.XX	±0.12	±1°					
DRAWN		Fros	2020/11/17	DRAWN NAME:				
CHECKED		Tim	2020/11/17	C Size RJ45 Water Proof Cover Lock Bayonet Type				
APPROVED		Ken	2020/11/17	PRODUCT NO.	222A-03007			
SCALE		1/1	SHEET	1/1	SIZE	A4	FILE NAME	222A-03007_B_1



www.attend.com.tw