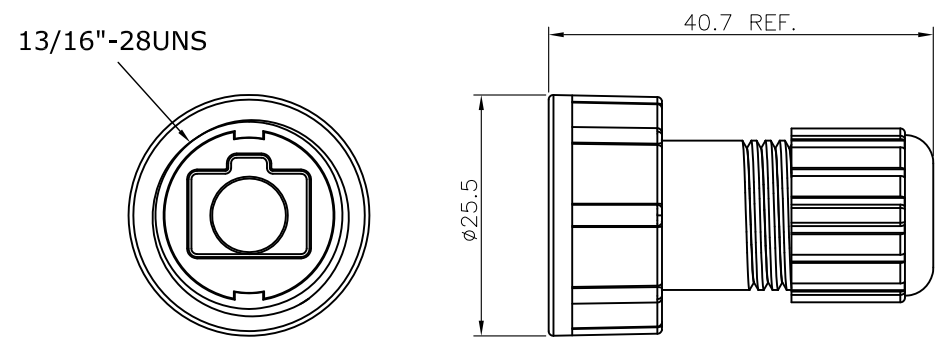
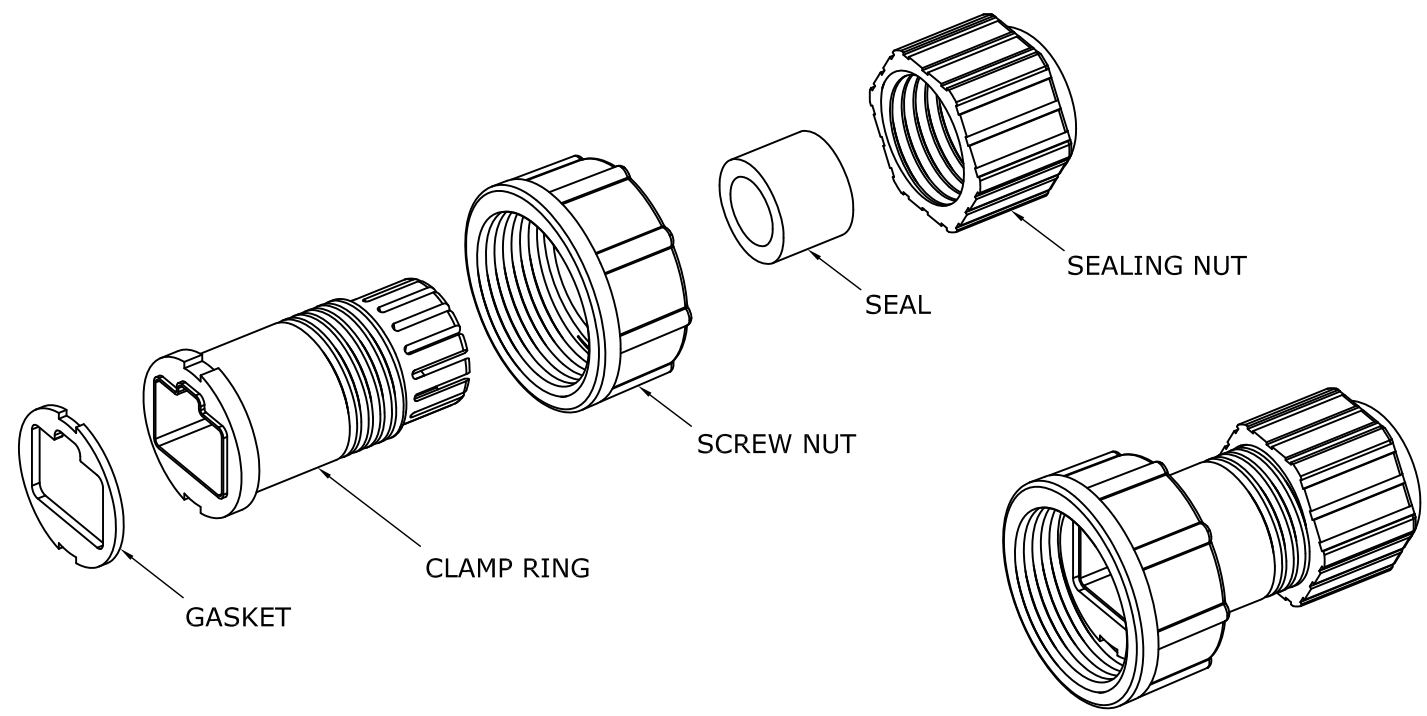


REV.	DESCRIPTION	DRAWN	DATE
1	INITIAL RELEASE	TIM	2019/01/21



5	SEALING NUT	PA66			
4	SEAL	Silicone			
3	SCREW NUT	PA66			
2	CLAMP RING	PA66			
1	GASKET	Silicone			
NO.	PART NAME	DESCRIPTION			
UNLESS OTHERWISE SPECIFIED TOLERANCE					
UNIT:	DECIMAL	LINEAR	ANGLES		
	mm	X, X.X	X, XX		
		±0.50	±0.25	±5°	±3°
DRAWN Tim 2019/01/21			DRAWN NAME: RJ45 Waterproof Accessory For Field Installable		
CHECKED Fros 2019/01/21					
APPROVED Ken 2019/01/21			PRODUCT NO. 222A-03003		
SCALE 1.25		SHEET 1/1	SIZE A4	FILE NAME 222A-03003_B_1	



WWW.ATTEND.COM.TW